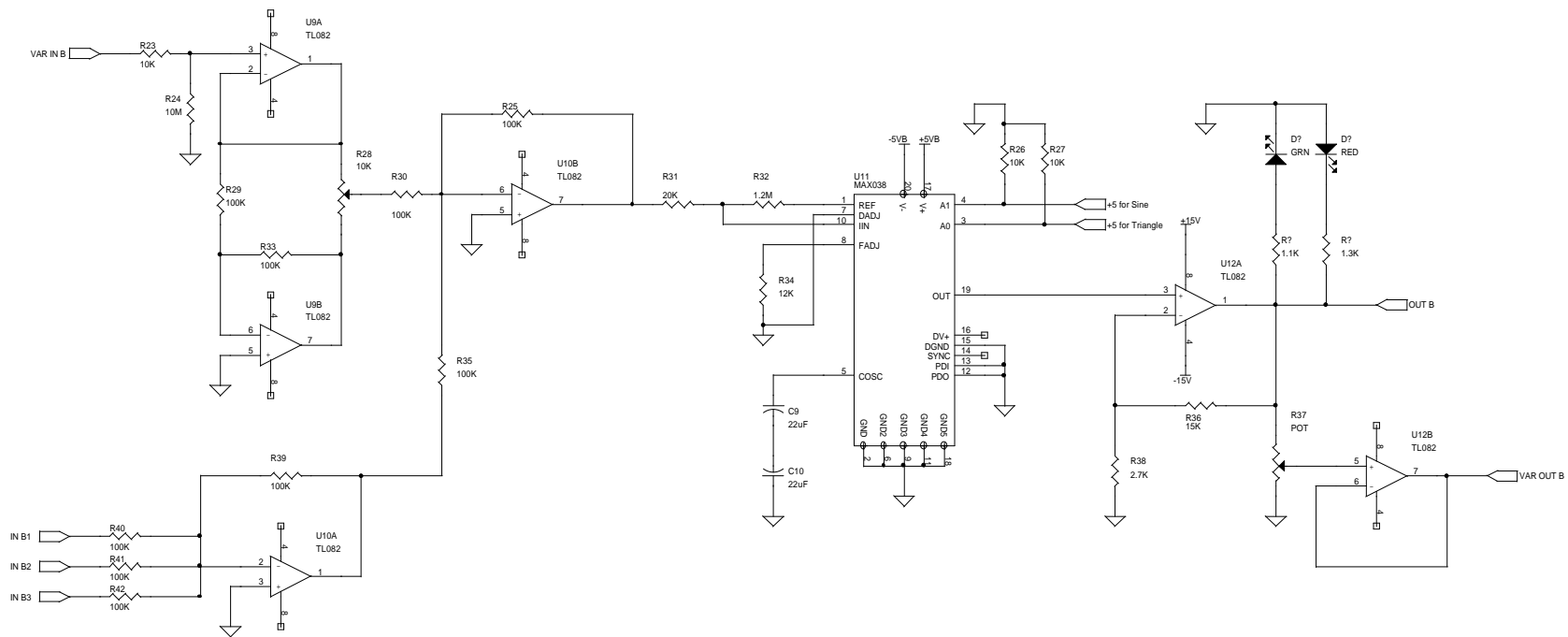


|         |                             |              |
|---------|-----------------------------|--------------|
| Title   |                             |              |
| {Title} |                             |              |
| Size    | Document Number             | Rev          |
| A       | {Doc}                       | {RevCode}    |
| Date:   | Wednesday, January 08, 2003 | Sheet 1 of 2 |



|         |                           |              |
|---------|---------------------------|--------------|
| Title   |                           |              |
| {Title} |                           |              |
| Size    | Document Number           | Rev          |
| A       | {Doc}                     | {RevCode}    |
| Date:   | Sunday, December 29, 2002 | Sheet 2 of 2 |