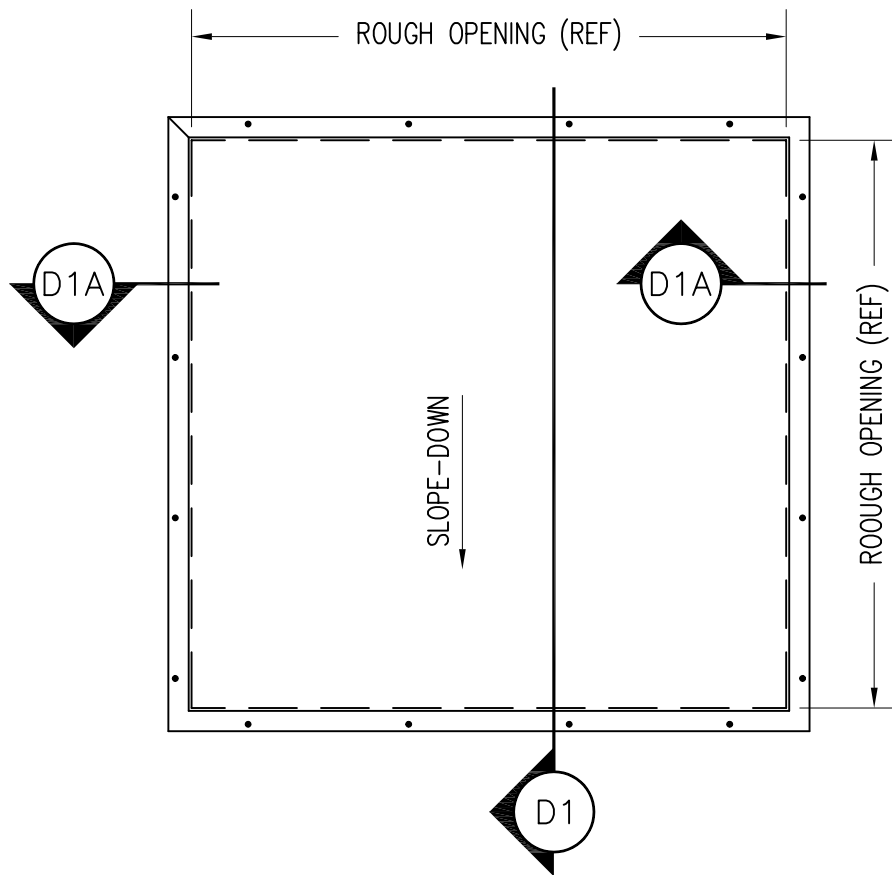


Model EV

Ultraseal™ Self-Flashing Venting Glass Skylight

Model EVM

Ultraseal™ Self-Flashing Motorized Venting Glass Skylight



GENERAL NOTES:

- 1) UNITS ARE AVAILABLE IN STANDARD SIZES LISTED
(CUSTOM SIZES ARE AVAILABLE UP TO MAX. 48"X48" ROUGH OPENING)
- 2) MIN. UNIT PITCH NOT LESS THAN 3:12

MODEL	ROUGH OPENING
2222	22 1/2" X 22 1/2"
2230	22 1/2" X 30 1/2"
2238	22 1/2" X 38 1/2"
2246	22 1/2" X 46 1/2"
3030	30 1/2" X 30 1/2"
3046	30 1/2" X 46 1/2"
4646	46 1/2" X 46 1/2"

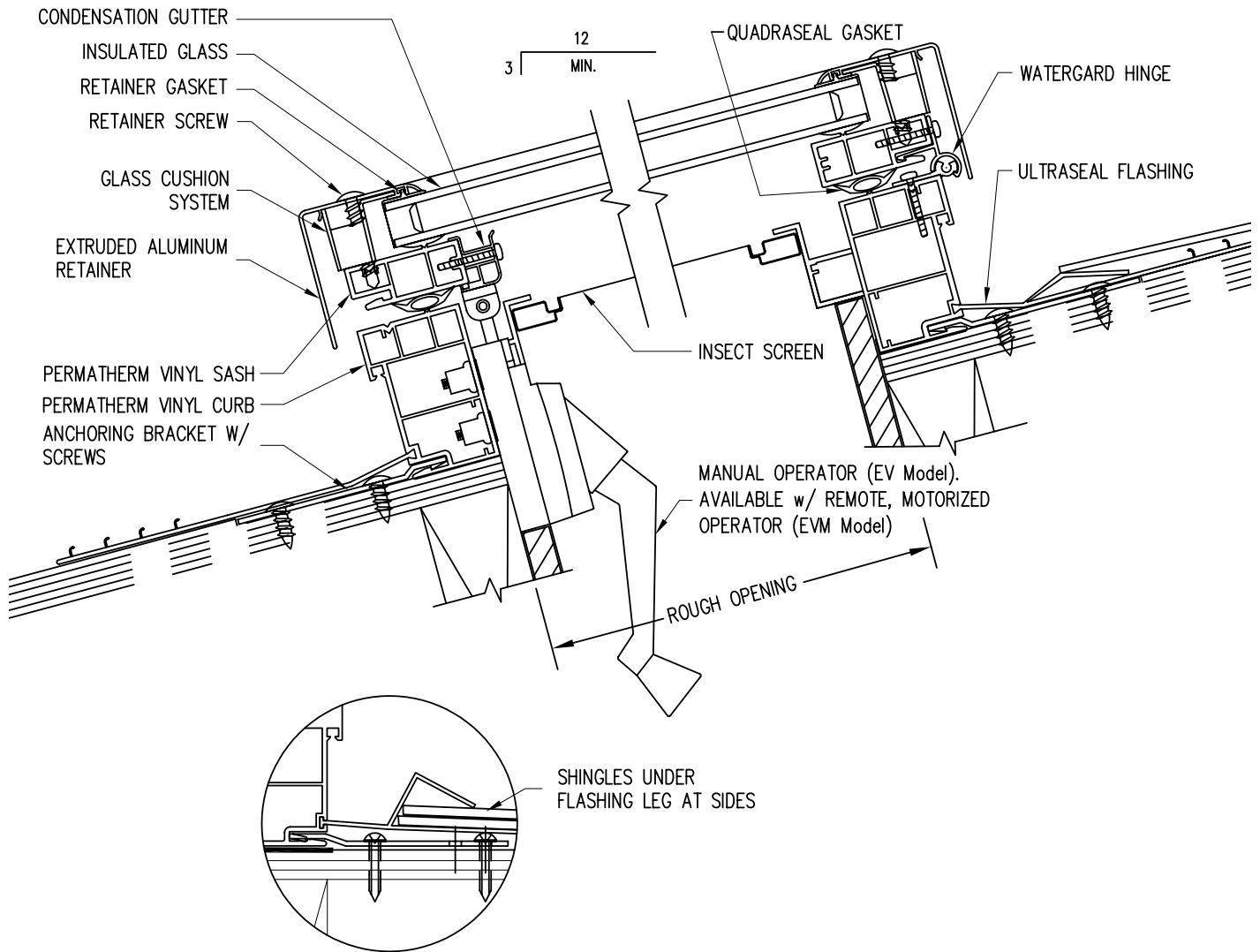


Wasco Products, Inc.
22 Pioneer Avenue, P.O. Box 351
Sanford, ME 04073
Fax: 207-490-5270 sales@wascoproducts.com
800-388-0293 www.wascoproducts.com

**EV/EVM Deck Mount
SkyWindow Unit
Plan View**

D052

PLN1



DETAIL D1A
FLASHING LEG AT SIDE JAMB LOCATIONS ONLY



Wasco Products, Inc.
22 Pioneer Avenue, P.O. Box 351
Sanford, ME 04073
Fax: 207-490-5270 sales@wascoproducts.com
800-388-0293 www.wascoproducts.com

D052

EV/EVM Sill Detail

D1

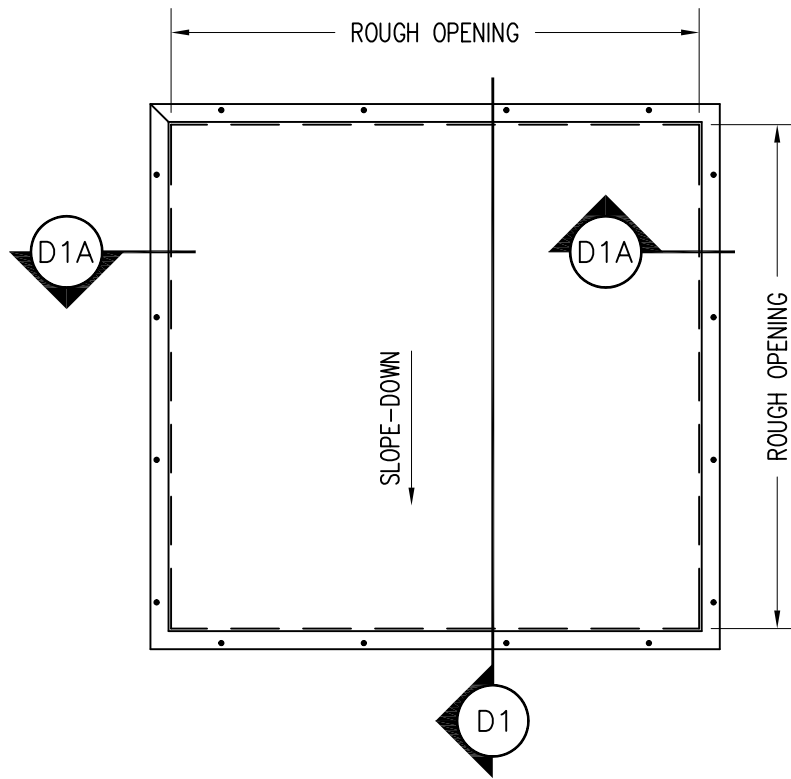


Model EF

Ultraseal™ Self-Flashing Fixed Glass Skylight

Model EFHR Hurricane

Ultraseal™ Self-Flashing Fixed Glass Skylight



GENERAL NOTES:

- 1) UNITS STANDARD SIZES ARE LISTED, ALSO AVAILABLE IN CUSTOM SIZES
- 2) MIN. UNIT PITCH NOT LESS THAN 3:12

MODEL	ROUGH OPENING
1430	14 1/2" X 30 1/2"
1446	14 1/2" X 46 1/2"
2222	22 1/2" X 22 1/2"
2230	22 1/2" X 30 1/2"
2238	22 1/2" X 38 1/2"
2246	22 1/2" X 46 1/2"
3030	30 1/2" X 30 1/2"
3046	30 1/2" X 46 1/2"
4646	46 1/2" X 46 1/2"

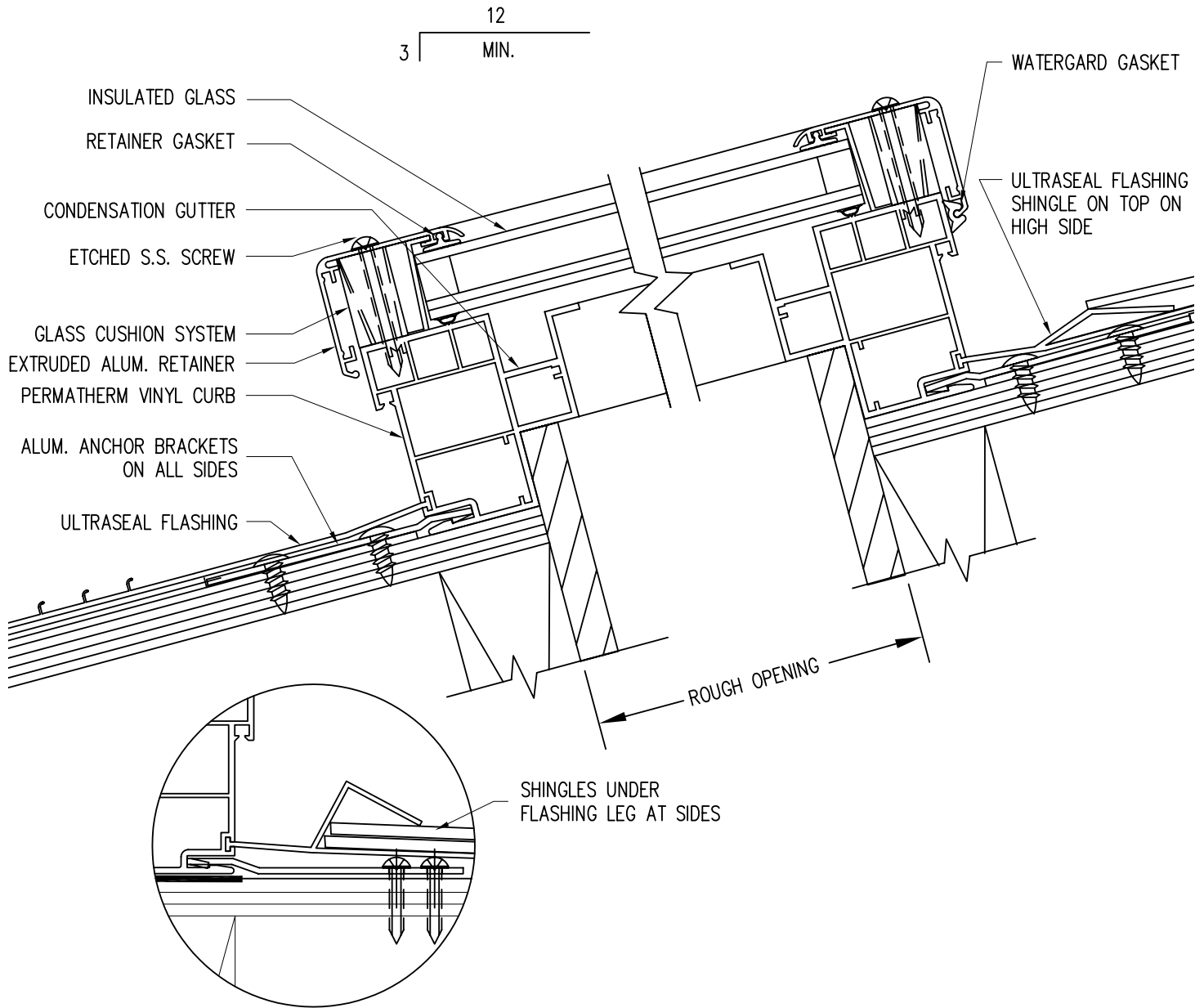


Wasco Products, Inc.
 22 Pioneer Avenue, P.O. Box 351
 Sanford, ME 04073
 Fax: 207-490-5270 sales@wascoproducts.com
 800-388-0293 www.wascoproducts.com

**EF Deck Mount
 SkyWindow Unit
 Plan View**

D051

PLN1



DETAIL D1A
FLASHING LEG AT JAMB LOCATIONS

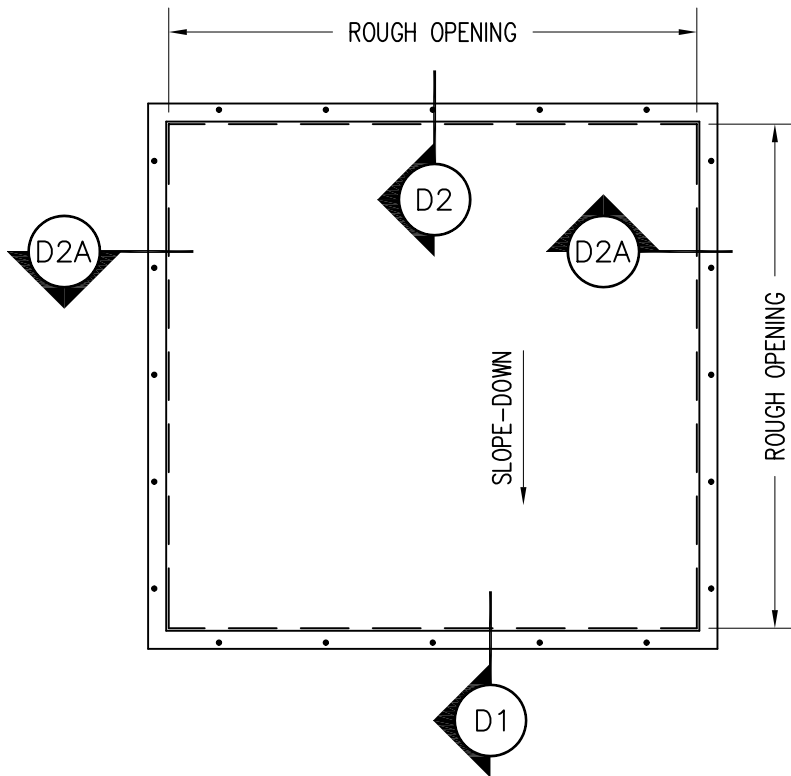


Wasco Products, Inc.
22 Pioneer Avenue, P.O. Box 351
Sanford, ME 04073
Fax: 207-490-5270 sales@wascoproducts.com
800-388-0293 www.wascoproducts.com

D051

EF Sill Detail

D1



GENERAL NOTES:

- 1) UNITS ARE AVAILABLE IN STANDARD SIZES LISTED
(CUSTOM SIZES ARE NOT AVAILABLE)
- 2) ROOF PITCH REQUIREMENTS FOR SKYLIGHTS VARY WITH LOCAL BUILDING CODES
FOR HURRICANE SPECIFIC CONSTRUCTIONS APPLICATIONS. MINIMUM 3:12 ROOF PITCH
IS REQUIRED FOR ANY APPLICATION. CONSULT LOCAL CODES.
- 3) ROOF FRAMING AND SURFACE CONSTRUCTION SHOWN IN DETAILS IS FOR REFERENCE ONLY.
ROOFING REQUIREMENTS ARE DICTATED BY LOCAL BUILDING CODES AND ARE THE RESPONSIBILITY
OF THE BUILDER.

MODEL	ROUGH OPENING
2222	22 1/2" X 22 1/2"
2246	22 1/2" X 46 1/2"
3046	30 1/2" X 46 1/2"
4646	46 1/2" X 46 1/2"



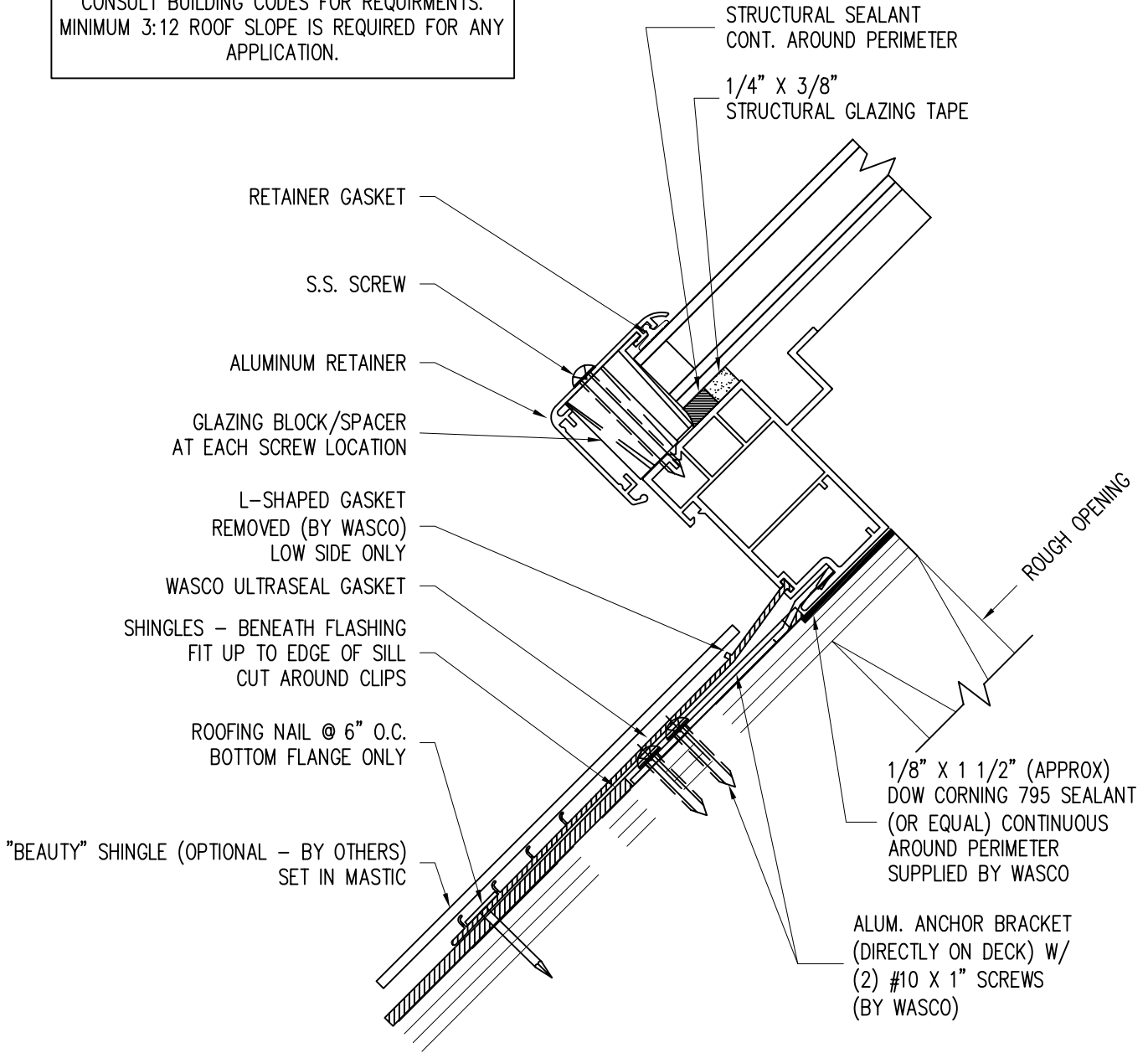
Wasco Products, Inc.
22 Pioneer Avenue, P.O. Box 351
Sanford, ME 04073
Fax: 207-490-5270 sales@wascoproducts.com
800-388-0293 www.wascoproducts.com

**EFHR Hurricane
Deck Mount
SkyWindow Unit
Plan View**

D051

PLN1

IMPORTANT NOTE:
 ROOF PITCH REQUIREMENTS FOR SKYLIGHTS VARY
 WITH LOCAL BUILDING CODES FOR HURRICANE
 SPECIFIC CONSTRUCTION APPLICATIONS. PLEASE
 CONSULT BUILDING CODES FOR REQUIRMENTS.
 MINIMUM 3:12 ROOF SLOPE IS REQUIRED FOR ANY
 APPLICATION.

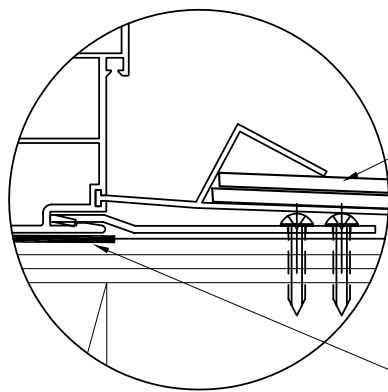
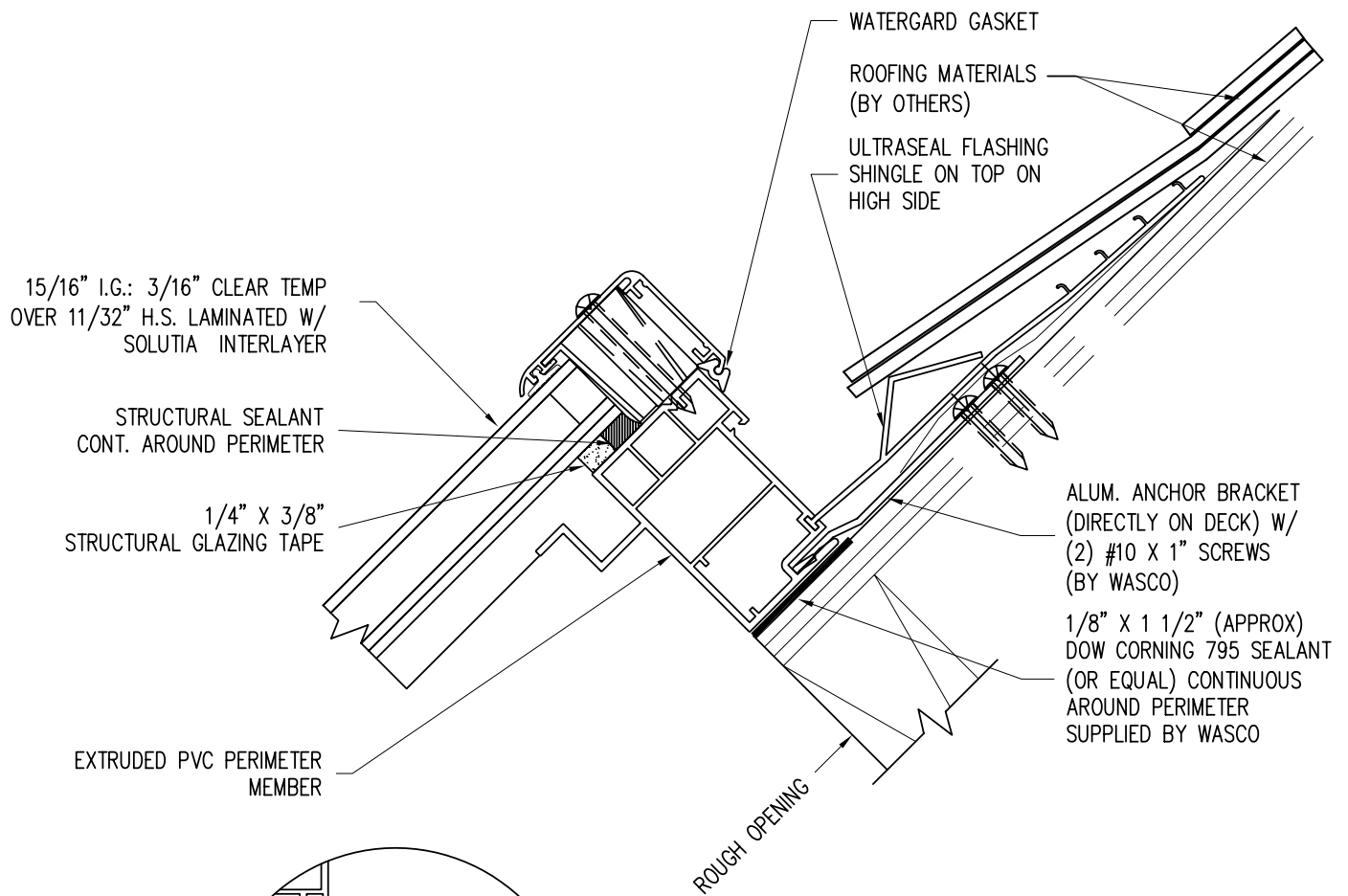


Wasco Products, Inc.
 22 Pioneer Avenue, P.O. Box 351
 Sanford, ME 04073
 Fax: 207-490-5270 sales@wascoproducts.com
 800-388-0293 www.wascoproducts.com

EFHR Hurricane Sill Detail

D051

D1



DETAIL D2A
FLASHING LEG AT JAMB LOCATIONS

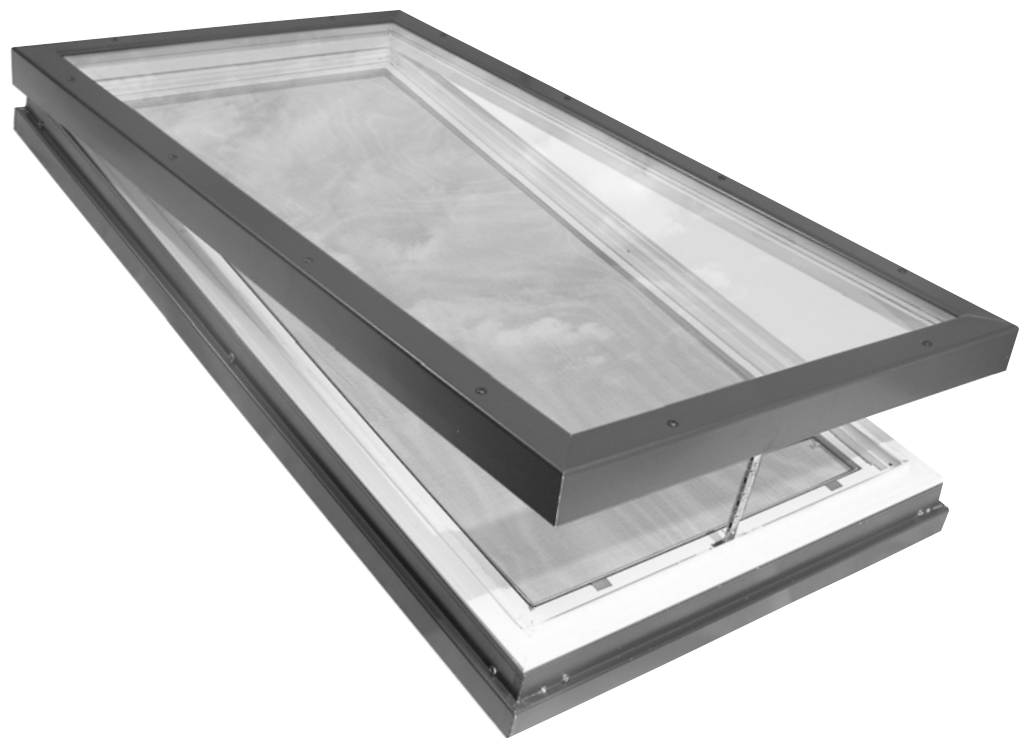


Wasco Products, Inc.
22 Pioneer Avenue, P.O. Box 351
Sanford, ME 04073
Fax: 207-490-5270 sales@wascoproducts.com
800-388-0293 www.wascoproducts.com

**EFHR Hurricane
Head/Jamb Detail**

D051

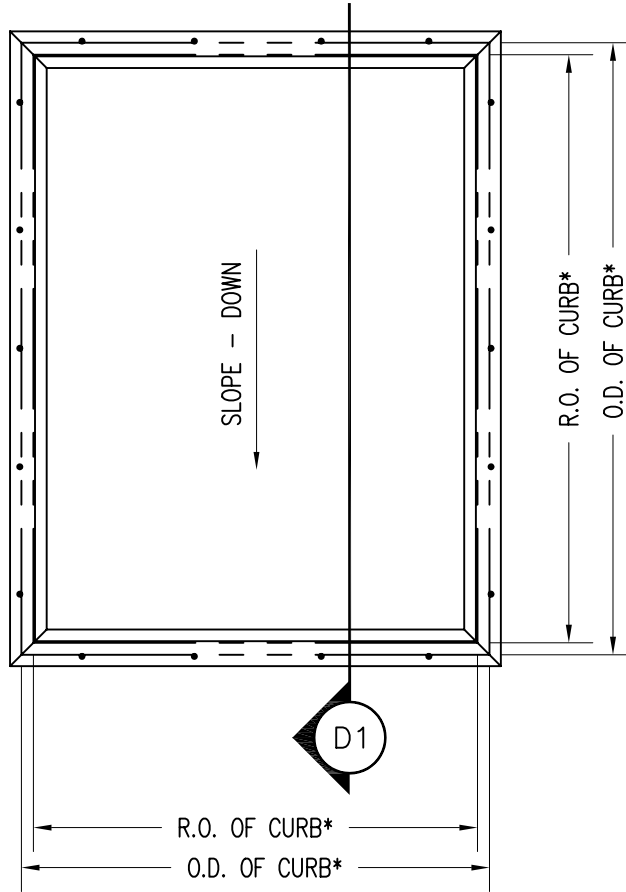
D2



Model GSV

Curb Mounted Permatherm Venting Glass Skylight

Item D054



GENERAL NOTES:

- 1) UNITS STANDARD SIZES ARE LISTED, ALSO AVAILABLE IN CUSTOM SIZES
- 2) MIN. UNIT PITCH NOT LESS THAN 3:12
- 3) *O.D. & R.O. OF CURB BASED ON 1 1/2" MIN. CURB WIDTH
- 4) **MOTORIZED OPTIONS AVAILABLE (SOME RESTRICTIONS APPLY)

MODEL	R.O. OF CURB*	O.D. OF CURB*
2222	22 1/2" X 22 1/2"	25 1/2" X 25 1/2"
2230	22 1/2" X 30 1/2"	25 1/2" X 33 1/2"
2238	22 1/2" X 38 1/2"	25 1/2" X 41 1/2"
2246	22 1/2" X 46 1/2"	25 1/2" X 49 1/2"
3030	30 1/2" X 30 1/2"	33 1/2" X 33 1/2"
3046	30 1/2" X 46 1/2"	33 1/2" X 49 1/2"
4646	46 1/2" X 46 1/2"	49 1/2" X 49 1/2"

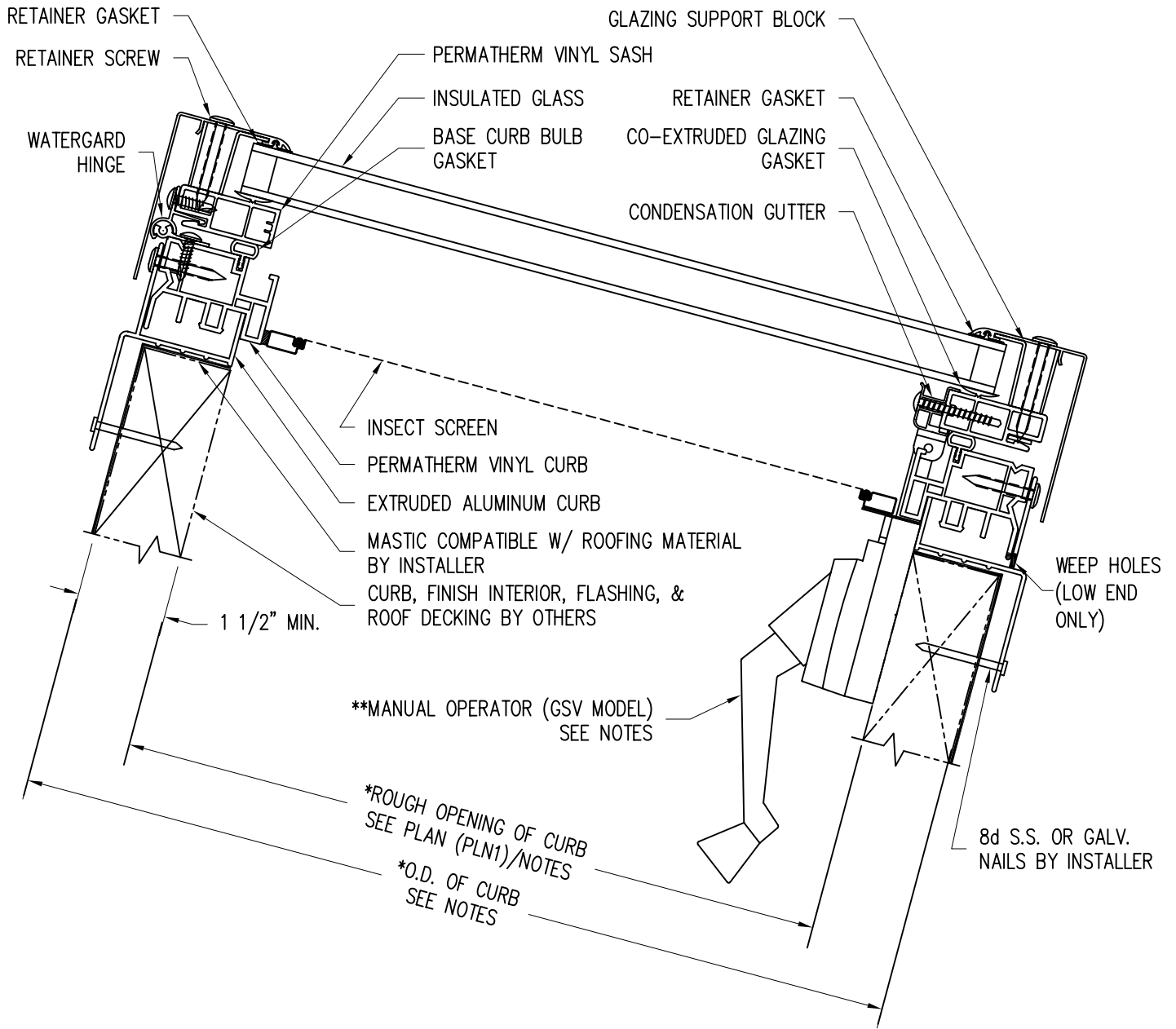


Wasco Products, Inc.
 22 Pioneer Avenue, P.O. Box 351
 Sanford, ME 04073
 Fax: 207-490-5270 sales@wascoproducts.com
 800-388-0293 www.wascoproducts.com

GSV Curb Mount Skydome Unit Plan View

D054

PLN1



Wasco Products, Inc.
 22 Pioneer Avenue, P.O. Box 351
 Sanford, ME 04073
 Fax: 207-490-5270 sales@wascoproducts.com
 800-388-0293 www.wascoproducts.com

**GSV
Sill Detail**

D054

D1



Model GS

Curb Mounted Permatherm Fixed Glass Skylight

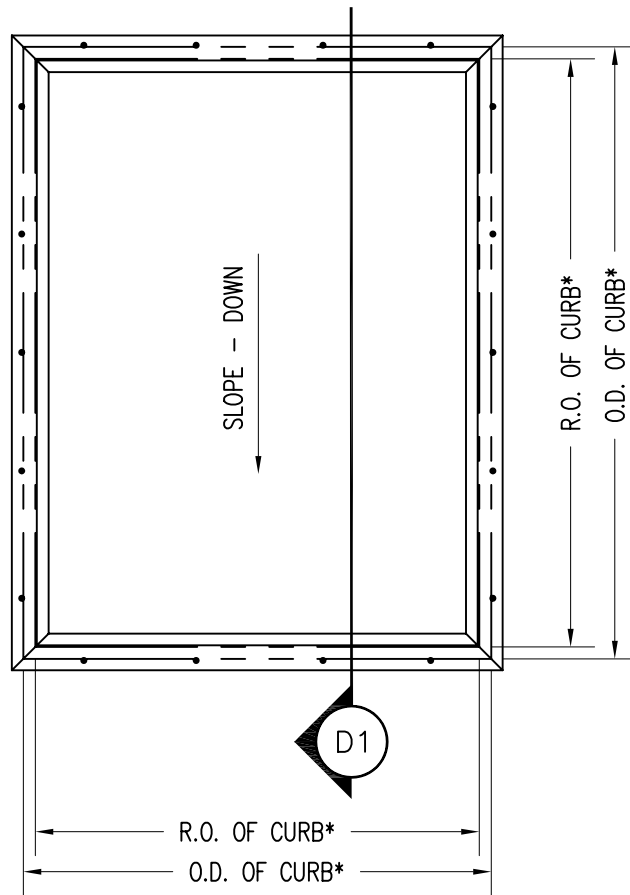
Model GSHR Hurricane

Curb Mounted Permatherm Fixed Glass Skylight



Model GSD (DDRS)

Curb Mounted Permatherm Fixed Acrylic
Double Dome Skylight



GENERAL NOTES:

- 1) UNITS STANDARD SIZES ARE LISTED, ALSO AVAILABLE IN CUSTOM SIZES
- 2) MIN. UNIT PITCH NOT LESS THAN 3:12
- 3) *O.D. & R.O. OF CURB BASED ON 1 1/2" MIN. CURB WIDTH

MODEL	R.O. OF CURB*	O.D. OF CURB*
2222	22 1/2" X 22 1/2"	25 1/2" X 25 1/2"
2230	22 1/2" X 30 1/2"	25 1/2" X 33 1/2"
2238	22 1/2" X 38 1/2"	25 1/2" X 41 1/2"
2246	22 1/2" X 46 1/2"	25 1/2" X 49 1/2"
3030	30 1/2" X 30 1/2"	33 1/2" X 33 1/2"
3046	30 1/2" X 46 1/2"	33 1/2" X 49 1/2"
4646	46 1/2" X 46 1/2"	49 1/2" X 49 1/2"

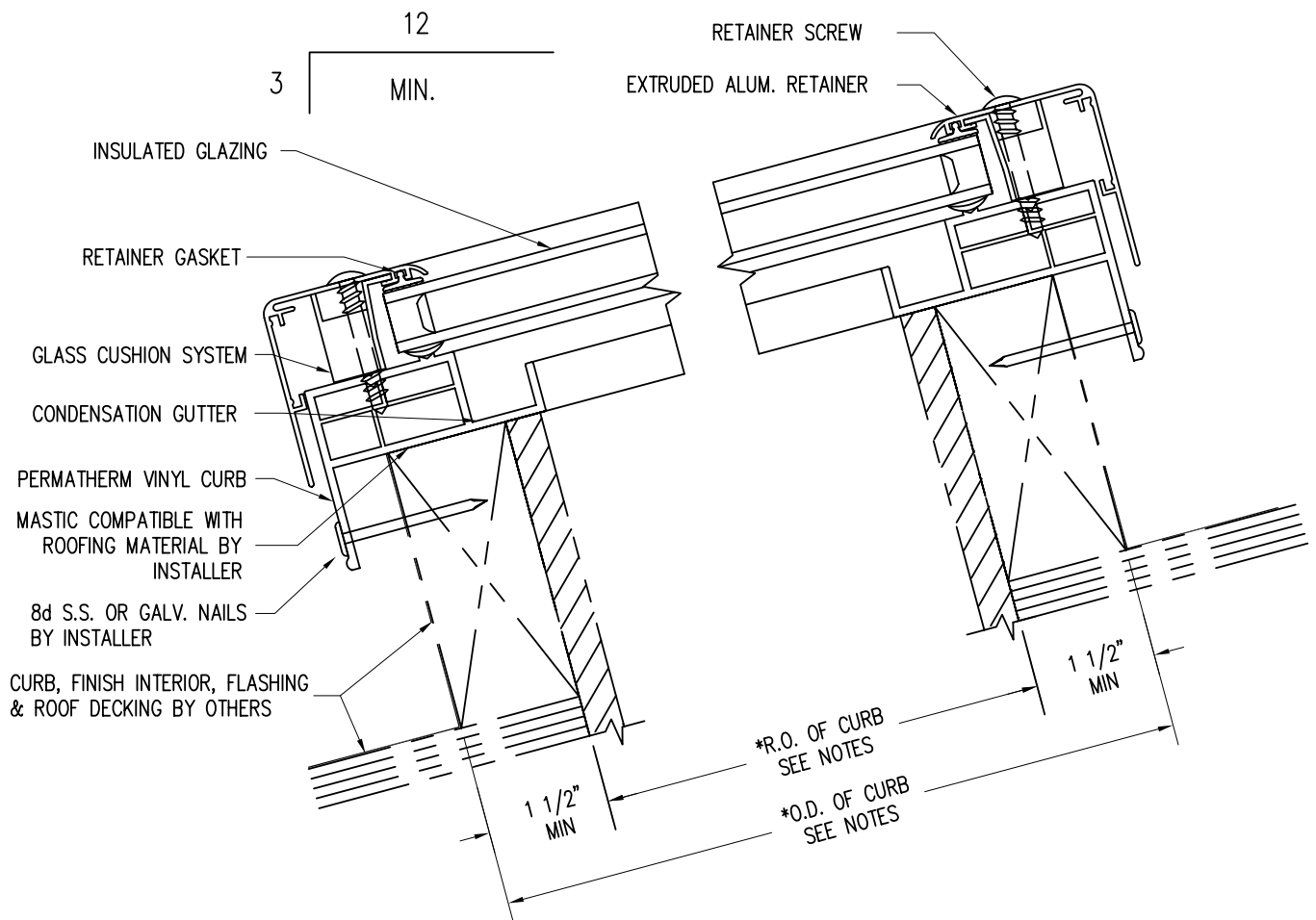


Wasco Products, Inc.
 22 Pioneer Avenue, P.O. Box 351
 Sanford, ME 04073
 Fax: 207-490-5270 sales@wascoproducts.com
 800-388-0293 www.wascoproducts.com

**GS Curb Mount
 SkyWindow Unit
 Plan View**

D050

PLN1

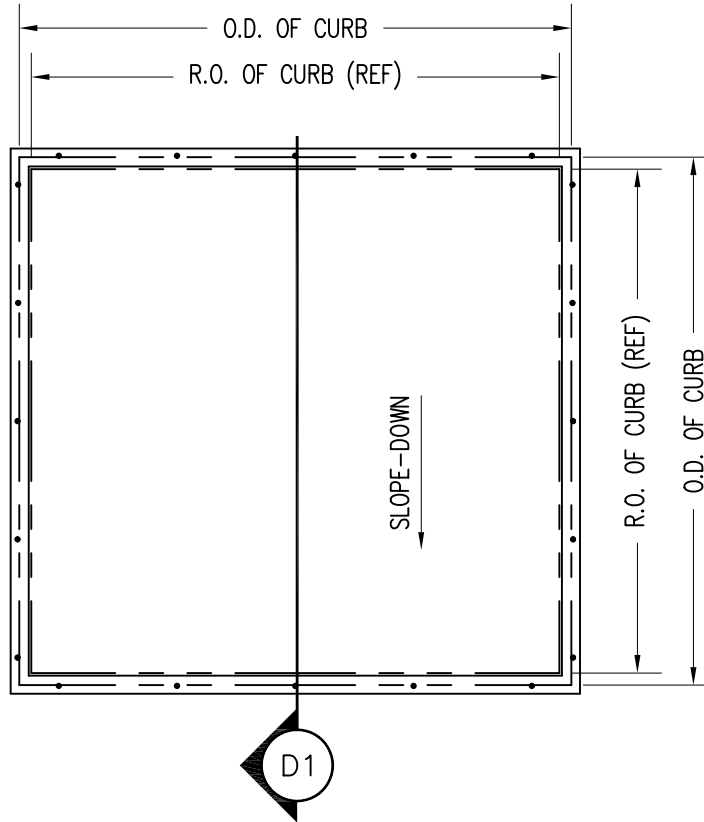


Wasco Products, Inc.
22 Pioneer Avenue, P.O. Box 351
Sanford, ME 04073
Fax: 207-490-5270 sales@wascoproducts.com
800-388-0293 www.wascoproducts.com

GS Curb Mount SkyWindow Unit Detail

D050

D1



GENERAL NOTES:

- 1) UNITS ARE AVAILABLE IN STANDARD SIZES LISTED
(CUSTOM SIZES ARE NOT AVAILABLE)
- 2) ROOF PITCH REQUIREMENTS FOR SKYLIGHTS VARY WITH LOCAL BUILDING CODES FOR HURRICANE SPECIFIC CONSTRUCTION APPLICATIONS. MIN. UNIT PITCH NOT LESS THAN 3:12 IS REQUIRED FOR ANY APPLICATION. CONSULT LOCAL CODES FOR SPECIFIC USE GROUP CRITERIA.
- 3) ROUGH OPENING OF CURB BASED ON MIN. 1 1/2" CURB WIDTH (BY OTHERS)
- 4) GSHR UNIT CARRIES A MIAMI-DADE NOA #04.0728.03 EXPIRATION OCTOBER 20, 2010
- 5) ROOF FRAMING AND SURFACE CONSTRUCTION SHOWN IN DETAILS ARE FOR REFERENCE ONLY. ROOFING REQUIREMENTS ARE DICTATED BY LOCAL BUILDING CODES AND ARE THE RESPONSIBILITY OF THE BUILDER.

MODEL	R.O. OF CURB*	O.D. OF CURB
2222	22 1/2" X 22 1/2"	25 1/2" X 25 1/2"
2246	22 1/2" X 46 1/2"	25 1/2" X 49 1/2"
3046	30 1/2" X 46 1/2"	33 1/2" X 49 1/2"
4646	46 1/2" X 46 1/2"	49 1/2" X 49 1/2"

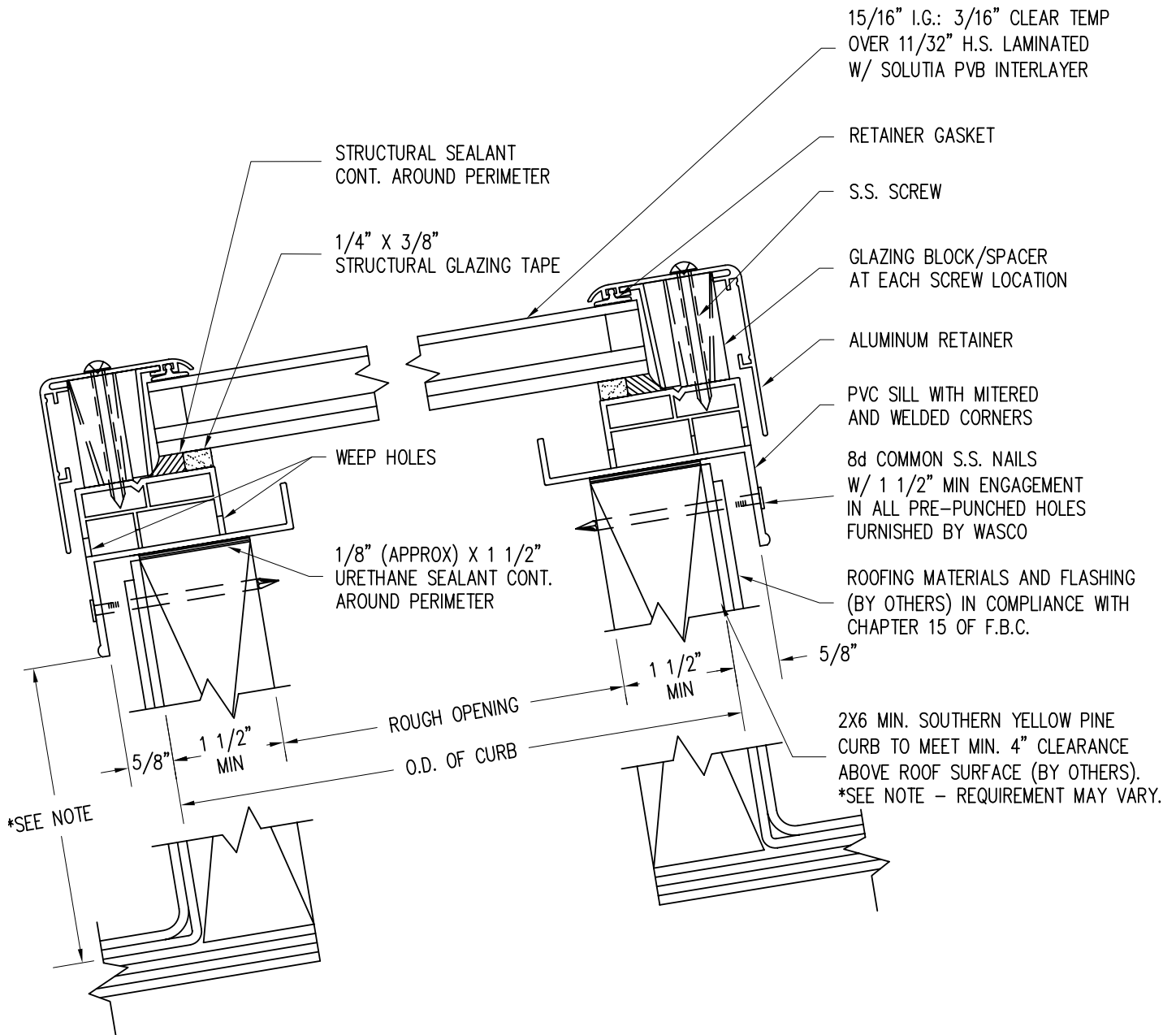


Wasco Products, Inc.
 22 Pioneer Avenue, P.O. Box 351
 Sanford, ME 04073
 Fax: 207-490-5270 sales@wascoproducts.com
 800-388-0293 www.wascoproducts.com

**GSHR Hurricane
 Curb Mount
 SkyWindow Unit
 Plan View**

D050

PLN1



***IMPORTANT NOTE:**

ROOF SLOPE, AS WELL AS ROOF FRAMING AND SKYLIGHT UNIT HEIGHT ORIENTATION ABOVE ROOF SURFACE, REQUIREMENT FOR SKYLIGHTS VARIES WITH LOCAL BUILDING CODES FOR HURRICANE SPECIFIC CONSTRUCTION APPLICATIONS. PLEASE CONSULT BUILDING CODES FOR REQUIREMENTS. MINIMUM 3:12 ROOF SLOPE IS REQUIRED FOR ANY APPLICATION.

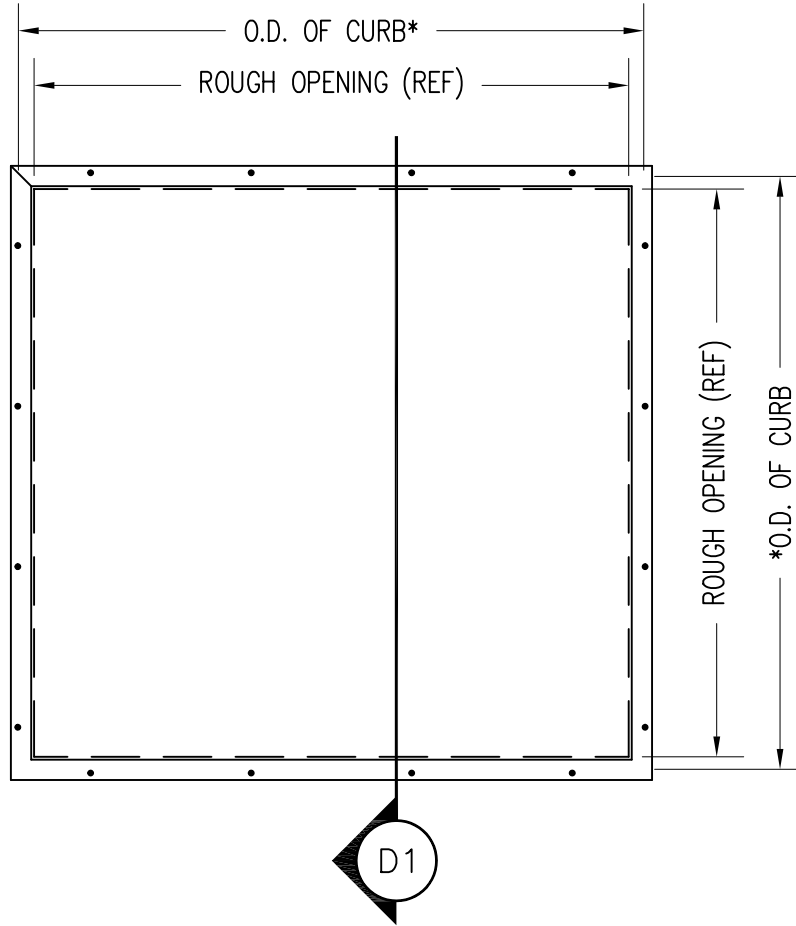


Wasco Products, Inc.
22 Pioneer Avenue, P.O. Box 351
Sanford, ME 04073
Fax: 207-490-5270 sales@wascoproducts.com
800-388-0293 www.wascoproducts.com

**GSHR Hurricane
Sill Detail**

D050

D1



GENERAL NOTES:

- 1) UNITS ARE AVAILABLE IN STANDARD SIZES LISTED
(CUSTOM SIZES ARE NOT AVAILABLE)
- 2) UNIT PITCH NOT CRITICAL FOR DOMED UNIT SKYLIGHTS
- 3) *O.D. (OUTSIDE DIMENSION) OF CURB BASED ON A 1½" (MIN.) CURB

MODEL	ROUGH OPENING	O.D. OF CURB*
2222	22 1/2" X 22 1/2"	25 1/2" X 25 1/2"
2230	22 1/2" X 30 1/2"	25 1/2" X 33 1/2"
2238	22 1/2" X 38 1/2"	25 1/2" X 41 1/2"
2246	22 1/2" X 46 1/2"	25 1/2" X 49 1/2"
3030	30 1/2" X 30 1/2"	33 1/2" X 33 1/2"
3046	30 1/2" X 46 1/2"	33 1/2" X 49 1/2"
4646	46 1/2" X 46 1/2"	49 1/2" X 49 1/2"

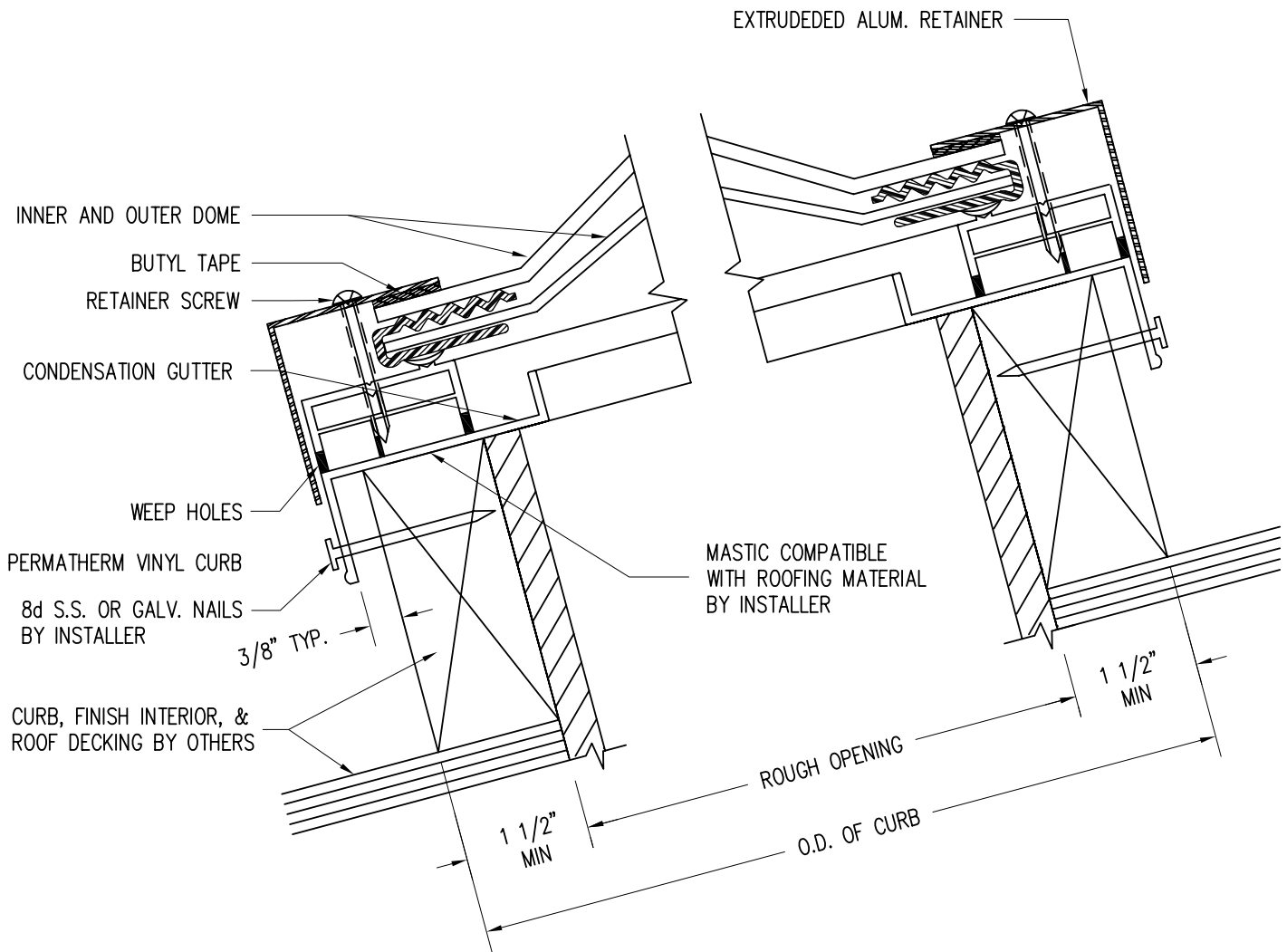


Wasco Products, Inc.
 22 Pioneer Avenue, P.O. Box 351
 Sanford, ME 04073
 Fax: 207-490-5270 sales@wascoproducts.com
 800-388-0293 www.wascoproducts.com

**GSD (DDRS) Curb
 Mount Skywindow
 Unit Plan View**

D050

PLN1



Wasco Products, Inc.
 22 Pioneer Avenue, P.O. Box 351
 Sanford, ME 04073
 Fax: 207-490-5270 sales@wascoproducts.com
 800-388-0293 www.wascoproducts.com

**GSD (DDRS) Curb
 Mount Skywindow
 Unit Detail**

D050

D1