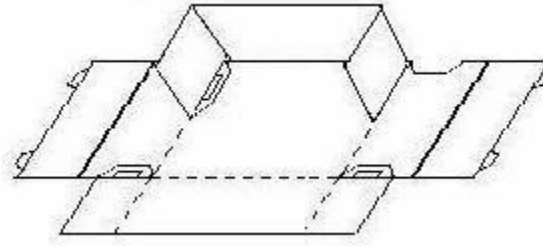
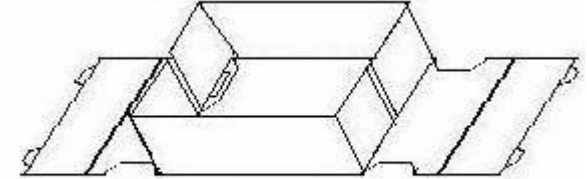


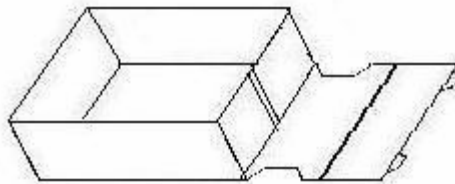
1. Lay Battic Door Fan Cover Flat.



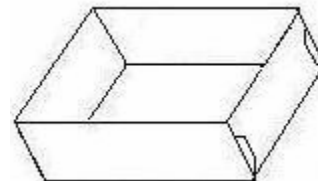
2. Fold up one side and turn in end flaps.



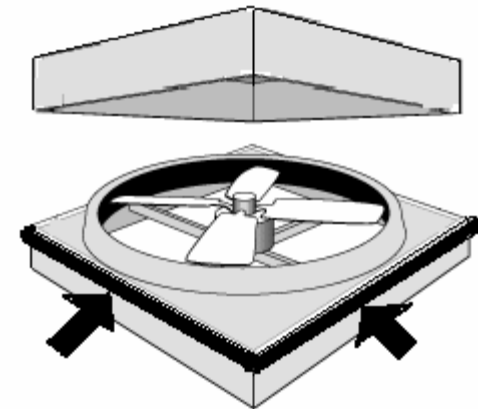
3. Fold other side up and tuck end flaps in.



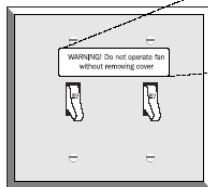
4. Fold each end up and over. Tuck tabs into slots.



5. Battic Door Fan Cover complete. Install large label onto Fan Cover. If desired, to maximize the benefits the desired amount of insulation can be added to the top and sides of the Fan Cover.



6. Install weatherstripping around the sides of the attic fan. Two layers of weatherstripping can be used. Place cover over fan and slide down over weatherstripping. Install cover to conserve energy all year around. Remove cover to use fan.



WARNING! Do not operate fan without removing cover

7. Place small label onto fan switch.



stops air drafts saving you energy \$\$\$!
reflective shield installs in minutes!

THE ATTIC DOOR COVER THAT PUTS THE LID ON AIR LEAKS

ATTIC STAIR COVERS & WHOLE HOUSE FAN COVERS