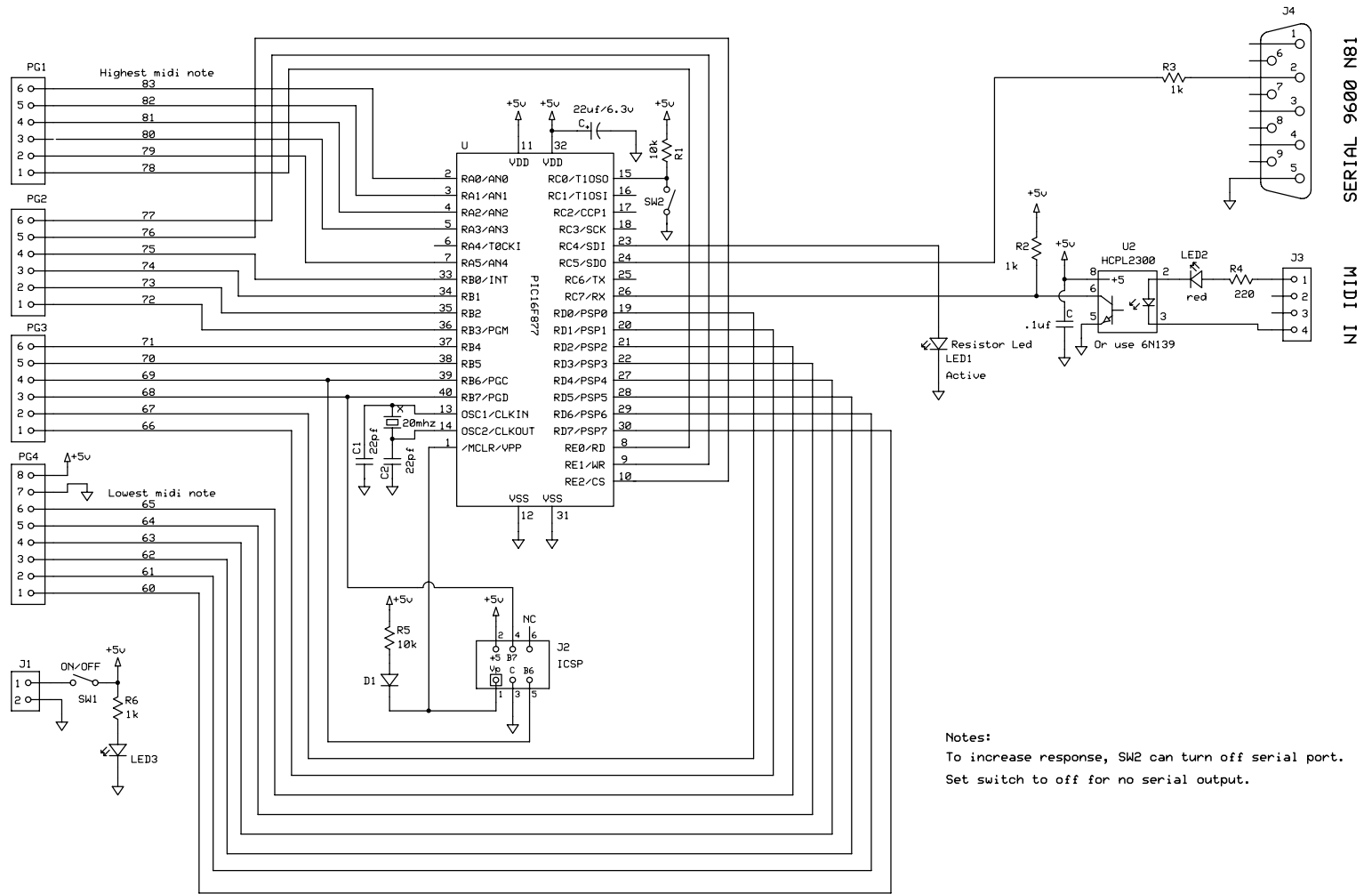


OUTPUT TO SOLID STATE RELAYS

POWER



Notes:  
 To increase response, SW2 can turn off serial port.  
 Set switch to off for no serial output.

<b>Botronic</b>	
<b>Midi to 24</b>	
W. D. Sherman	Rev 1.0
	6/8/2009