

VW CORRADO 1990-95

SECTION INDEX

A/C Refrigerant Capacities	1063
ABS/Brakes	1064
Air Bag System	1064
Air Cleaner	1066
Air Conditioning/Heater	1063
Center Console	1068
Clear Coat Identification	1061
Cooling	1062
Cowl & Dash	1067
Cruise Control System	1064
Electrical	1067
Emission System	1067
Engine	1066
Engine Mounts	1066
Exhaust	1066
Front Bumper	1061
Front Door	1069
Front Drive Axle	1065
Front Fender	1063
Front Inner Structure	1063
Front Lamps	1061
Front Seat	1068
Front Steering Linkage/Gear	1065
Front Suspension	1065
Fuel Tank	1072
Grille	1061
Hood	1062
Information Labels	1061
Instrument Panel	1068
Intercooler	1063
Liftgate	1071
Paint Code Location	1061
Quarter Glass	1071
Quarter Panel	1070
Rear Body	1072
Rear Bumper	1073
Rear Lamps	1072
Rear Seat	1069
Rear Suspension	1072
Rocker/Pillars/Floor	1068
Roof	1070
Seat Belts	1069
Special Cautions	1061
Steering Pump	1065
Steering Wheel/Column	1066
Sunroof	1070
Supercharger	1067
Underhood Dimensions	1063
Wheel	1064
Windshield	1067

INFORMATION LABELS

NOTE: Emission and Vacuum Routing labels must be special ordered from dealer by supplying description, VIN and owner information.

A/C Service	535 010 069 M	1.40
Unleaded Fuel	030 010 046 F	2.00
Engine Specs	021 010 057	2.95
Vacuum Routing	021 010 058 G	4.70
Tire Pressure	535 010 049 T	d2.00

Order by Application

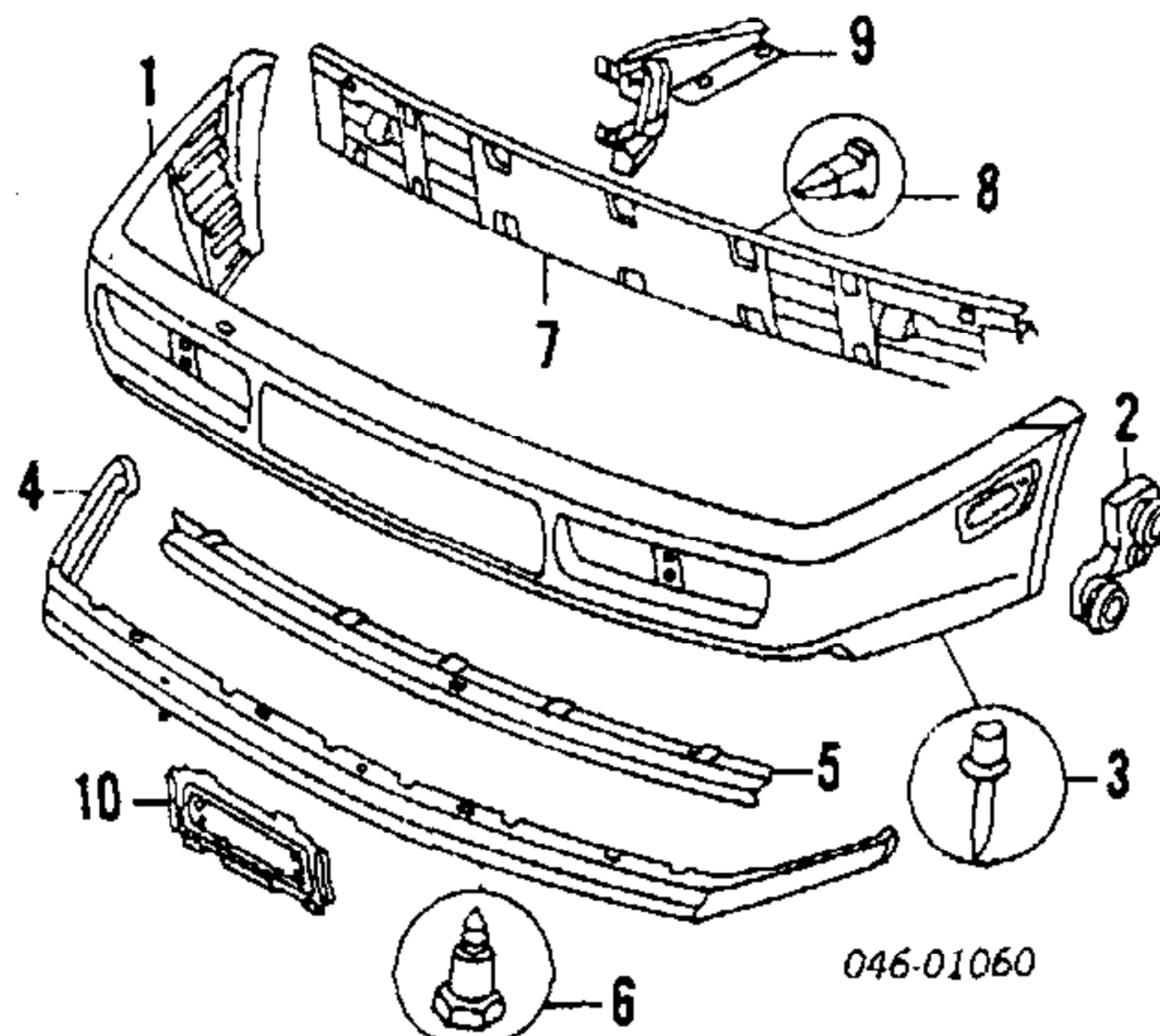
FRONT BUMPER

Use Procedure Explanations 1 and 28 with the following text.

Refinish Front Cover	2.5
Refinish Spoiler	1.0
R&I Bumper Assy	.8
O/H Bumper Assy (Includes R&I)	#2.5

#Includes R&I/R&R Park/Signal Lamps, Lower Grille, Side Marker & Fog Lamps

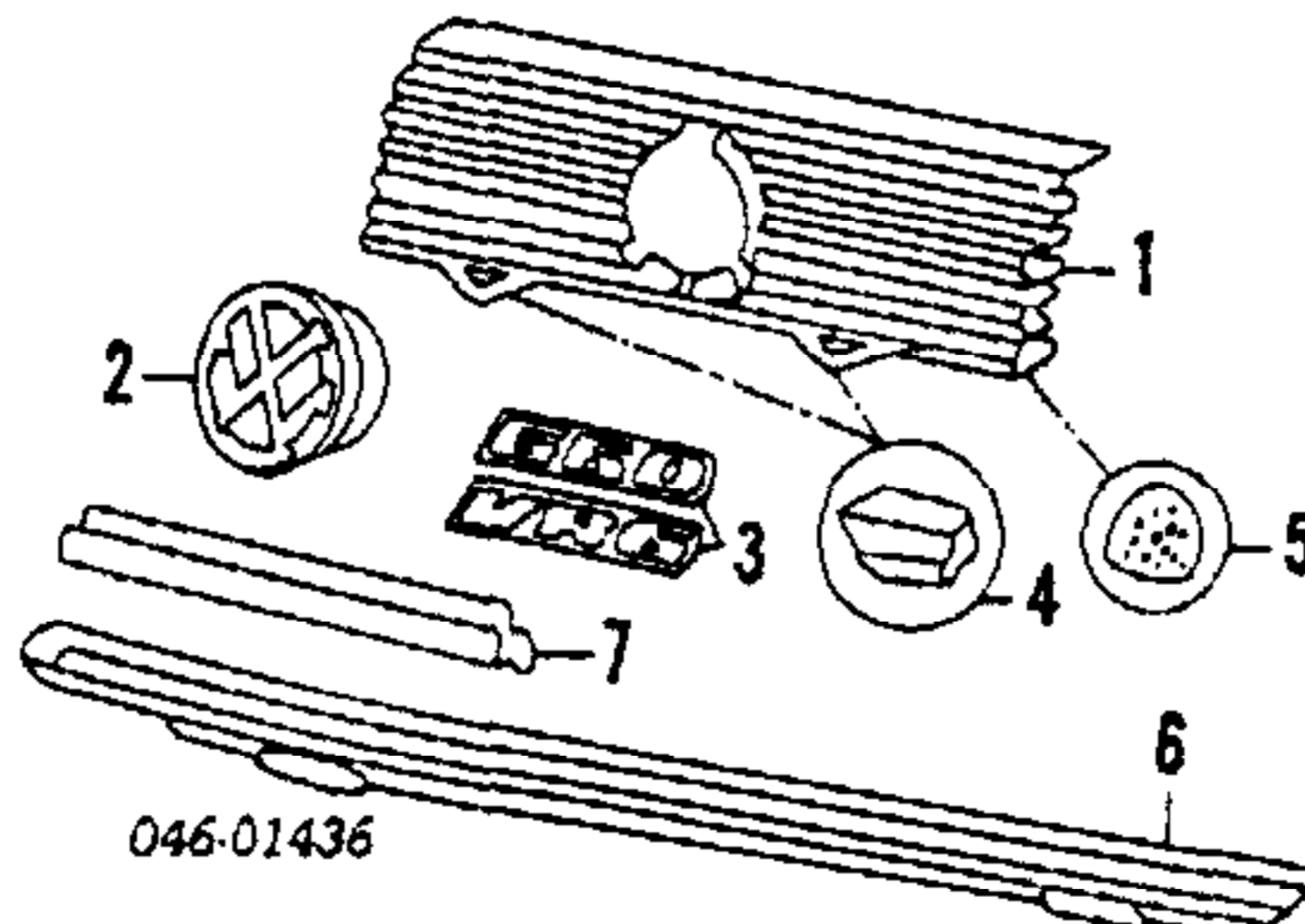
NOTE: All Parts in this section are included in overhaul unless noted otherwise.



1 Cover, Front (P)					
USA	90-91	535 807 217 B GRU	#2.5	502.00	
	92-94	535 807 217 E GRU	#2.5	545.00	
Canada	90-91	N.A.	#2.5	N.A.	
	92-95	N.A.	#2.5	N.A.	
(P) Paint to Match					
#Includes R&I/R&R Park/Signal Lamps, Lower Grille, Side Marker & Fog Lamps					
Insert, Front Cover					
Canada	R	N.A.		N.A.	
	L	N.A.		N.A.	
2 Bracket, Cover	R	535 807 194	#.1	13.85	
	L	535 807 193	#.1	13.85	
#w/Bumper Removed, Not Included in O/H					
3 Rivet, Cover	R/L	N 016 194 3		.67	IOH
4 Spoiler (P)		535 805 903 C 2BC	.5	101.40	
(P) Paint to Match					
5 Reinforcement, Spoiler		535 807 181		38.30	IOH
6 Bolt, Spoiler	R/L	N 904 338 01		2.80	IOH
7 Bar, Reinforcement					
USA		535 807 105		211.85	IOH
Canada					
w/Headlamp Washer		N.A.			IOH N.A.
w/o Headlamp Washer		N.A.			IOH N.A.
8 Clip, Retainer (10)	R/L	535 807 538		1.00	IOH
9 Bracket, Support	R	535 807 114	#.3	58.95	
	L	535 807 113	#.3	58.95	
#w/Bumper Removed, Not Included in O/H					
10 Bracket, License		535 807 071	.2	52.30	

GRILLE

R&I Grille	.3
------------	----



1 Grille	90-91	535 853 653 041	.4	75.95	
	92-95	535 853 653 A 01C	.4	71.25	
2 Ornament		1HM 853 601 TE1	#.4	17.50	
#Includes R&I Grille					
3 Nameplate "G60"	90-91	535 853 679 QN5	.2	13.00	
	92	535 853 679 B QN5	.2	13.00	
"VR6"		535 853 679 D QN5	.2	13.00	
4 Mount, Rubber	R/L	535 853 393		1.95	
5 Buffer, Outer Adhesive	R/L	443 845 237 D		1.20	
6 Grille, Lower					
w/ A/C		535 853 671 E	#.3	75.95	
w/o A/C		535 853 671 J	#.3	75.95	
#Included in R&R or O/H Bumper Cover					

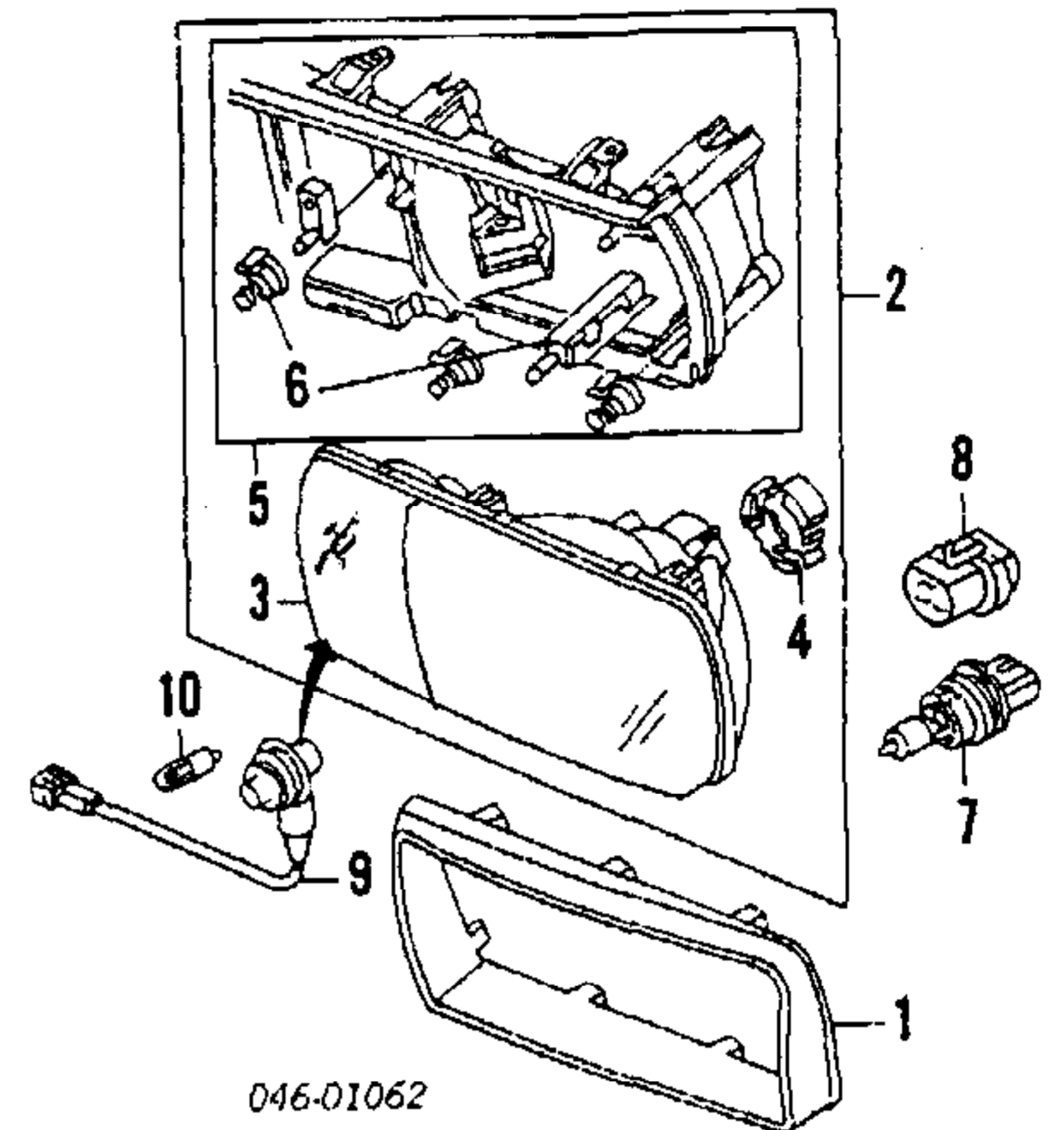
7 Seal, Grille	535 853 702	10.30
----------------	-------------	-------

Cut to Fit

FRONT LAMPS

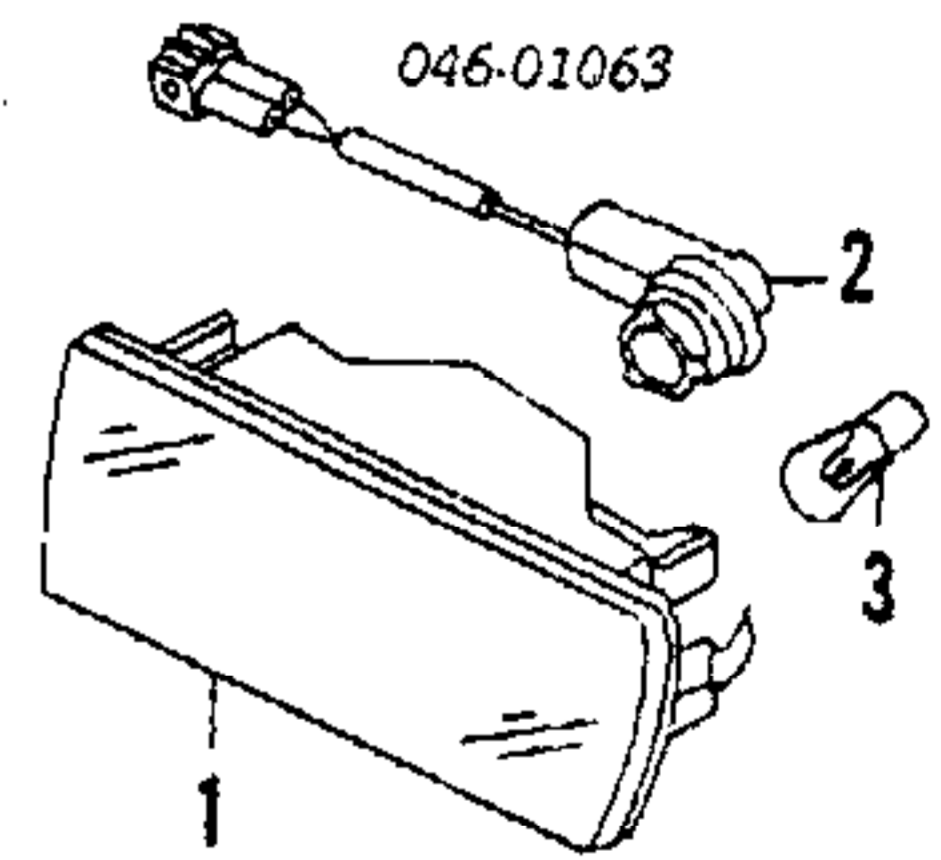
HEADLAMP

R&R Does Not Include Aim Lamps .4



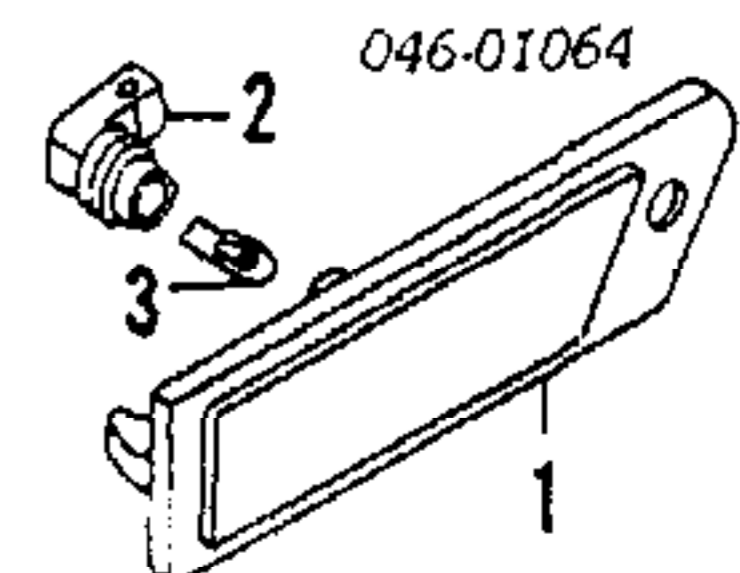
1 Bezel, Lamp	90-91 R	535 941 178 A	#.2	55.90	
	L	535 941 177 A	#.2	55.90	
	92-95 R	535 941 178 C	#.2	55.10	
	L	535 941 177 C	#.2	55.10	
#Included in R&R Lamp Assy					
2 Lamp Assy	90-91 R	535 941 018 B	.5	326.75	
	L	535 941 017 B	.5	326.75	
	92-95 R	535 941 018 E	.5	321.55	
	L	535 941 017 E	.5	326.75	
3 Lens & Housing	90-91 R	535 941 106	#.4	190.10	
	L	535 941 105	#.4	190.10	
	92-95 R	535 941 106 A	#.4	184.50	
	L	535 941 105 A	#.4	184.50	
#Includes R&R Bezel					
4 Ring, Retaining	R/L	165 941 621	#.2	3.55	
5 Frame Assy, Retaining	R	535 941 046	#.2	104.50	
	L	535 941 045	#.2	104.50	
#w/Lamp Assy Removed					
6 Screw, Adjusting (a)					
Vertical	R/L	535 941 141		3.55	
Horizontal	R/L	535 941 141 A		3.55	
#Included w/Lamp Assy					
(a) Included w/Retaining Frame Assy					
7 Bulb, Halogen	R/L	N 100 666 02	#.2	11.10	
8 Contact, Socket	R/L	165 941 165	#.2	6.85	
#R&R One Side Complete					
9 Socket	R/L	535 953 123 A	#.2	37.70	
10 Bulb	R/L	N 017 717 2	#.2	1.50	
#R&R One Side Complete					

PARK/SIGNAL LAMP



1 Lens & Housing					
Yellow	R	535 953 142 A	.2	61.30	
	L	535 953 141 A	.2	61.30	
Clear	R	535 953 142 B	.2	71.85	
	L	535 953 141 B	.2	71.85	
2 Socket w/Wire	90-91 R/L	535 953 123	#.2	34.35	
	92-95 R/L	6K0 953 123 B	#.2	7.15	
3 Bulb	R/L	N 017 732 2	#.2	1.30	
#R&R One Side Complete, Includes R&R Lens Housing or Socket, Included in R&R & O/H Bumper Cover					

SIDE MARKER LAMP



1 Lens & Housing	R	191 945 120	#.2	14.20	
	L	191 945 119	#.2	14.20	
2 Socket	R/L	191 949 111	#.2	8.95	
3 Bulb	R/L	N 017 752 2	#.2	1.40	
#R&R One Side Complete, Included in R&R or O/H Bumper Cover					

SPECIAL CAUTIONS

AIR BAG

Refer to Procedure Explanation 29 for Supplemental Restraint/Air Bag Special Cautions.

ABS

Refer to Special Cautions in General Information Section of the Procedure Pages.

ELECTRICAL

Ignition must be in off position before any electrical repair or washing of engine is performed.

SUSPENSION

Manufacturer advises that new fasteners must be used whenever old fasteners are loosened or removed.

WELDING

Before initiating any repair involving the use of an electrical welder, the ignition must be in off position and both battery terminals as well as ABS control unit disconnected.

PAINT CODE LOCATION

Paint code located at underside of luggage compartment, rear panel, floor panel crossmember behind seat/engine compartment or at rear crossmember.

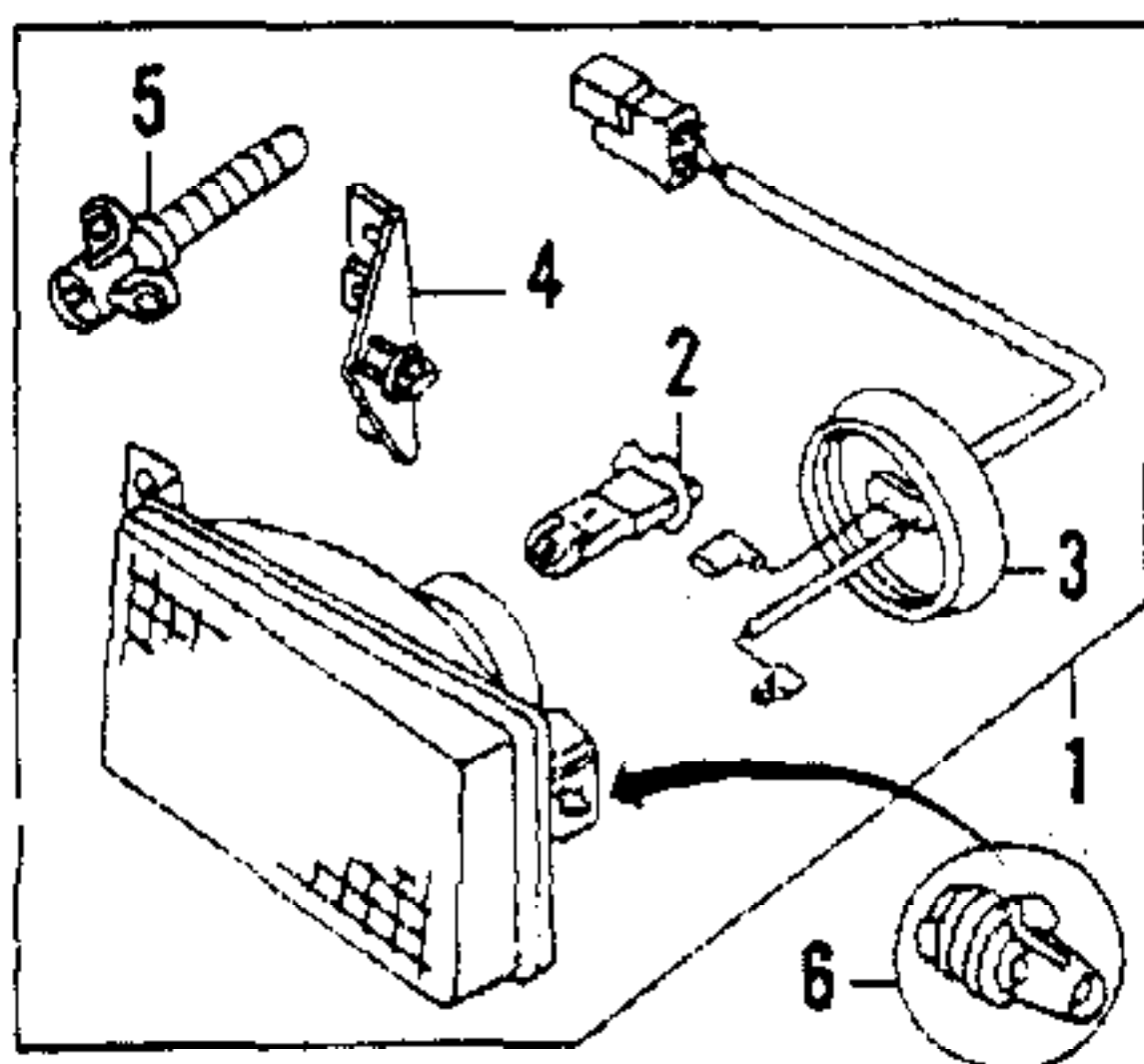
CLEAR COAT IDENTIFICATION

All metallic colors are clear coat.

VW CORRADO 1990-95

FRONT LAMPS Cont'd

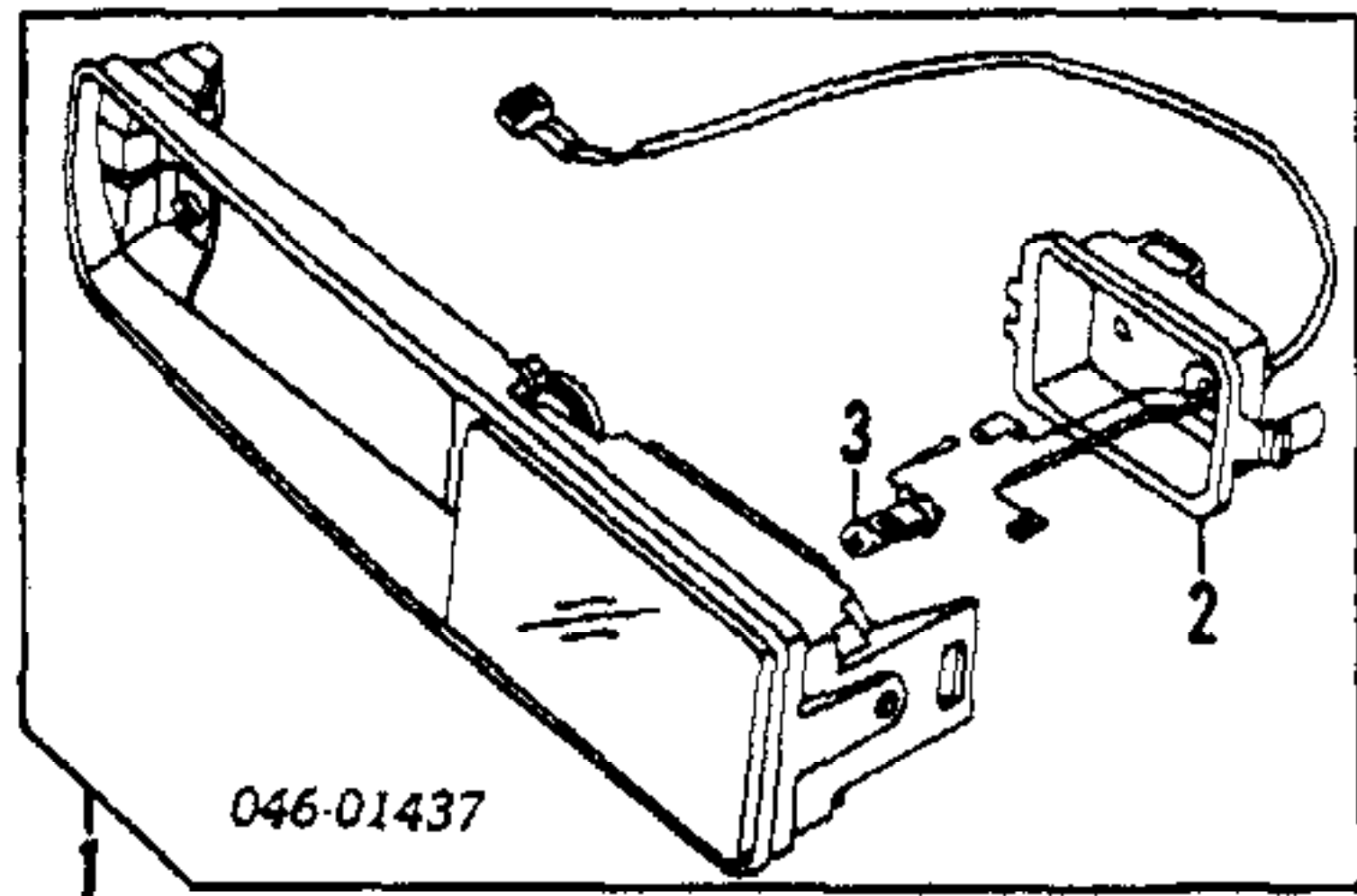
FOG LAMP 1990-91



046-01065

1 Lamp Assy	R 535 941 700	#.3	153.60
	L 535 941 699	#.3	153.60
2 Bulb, Halogen	R/L N 017 762 2	#.3	6.00
3 Cap, Bulb	R/L 171 941 605	#.3	13.30
4 Lever, Operating	R 535 941 726	#.3	9.80
	L 535 941 725	#.3	9.80
5 Screw, Adjusting	R/L 535 941 729	#.3	2.70
¶Included w/Lamp Assy			
6 Retainer, Lamp	R/L 535 941 717	#.3	1.50
#R&R One Side Complete, Also Included in R&R or O/H Front Bumper Cover			

FOG LAMP 1992-95



046-01437

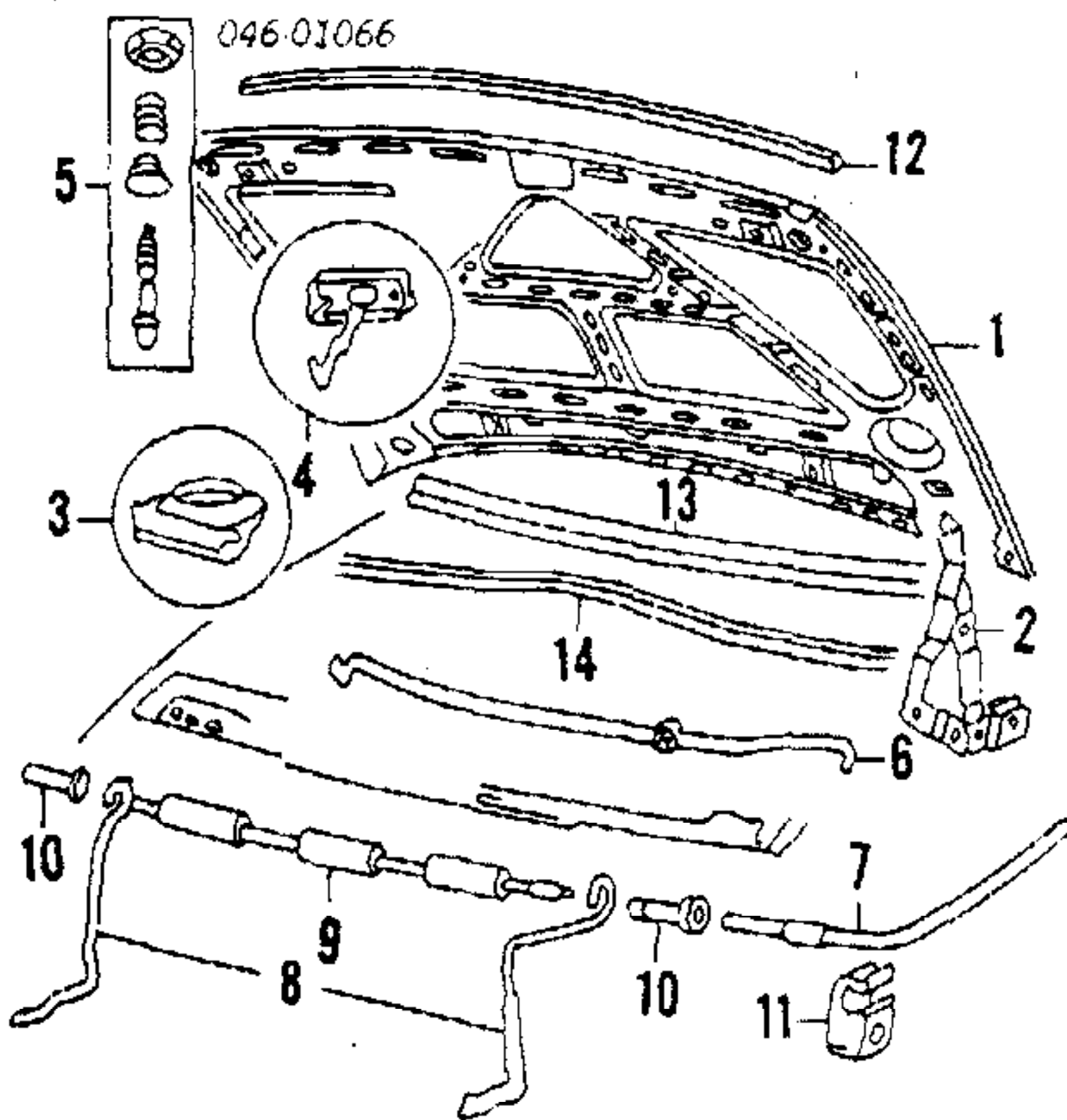
1 Lamp Assy	R 535 941 700 B	#.3	150.65
	L 535 941 699 B	#.3	150.65
2 Socket w/Wire	R/L 535 941 605	#.3	53.80
3 Bulb, Halogen	R/L N 017 762 2	#.3	6.00
¶Included w/Lamp Assy			
#R&R One Side Complete, Included in R&R or O/H Front Bumper Cover, Includes R&R Park/Signal Lamp			

HOOD

Use Procedure Explanations 4 and 28 with the following text.

Refinish Hood Outside	2.7
Add for Underside	1.3
Refinish Hinge	R/L .2
R&I Hood Panel	.6

NOTE: Volkswagen advises since 1985, it has incorporated a corrosion protective seal on certain bolted-on parts. These include fenders, hoods & deck lids. To insure adequate corrosion protection, you must replace or reinstall the zinc foil plates.



046-01066

1 Panel, Hood	535 823 031 A	1.4	654.00
Insulator Assy	535 898 123	#.2	166.00
#Time is for Each, R&R Complete .7			
Foil, Protective	AKL 448 300 04		19.95
¶Cut to Fit			
2 Hinge	R 535 823 302	#.3	71.55
	L 535 823 301	#.3	71.55
#w/Hood Removed			

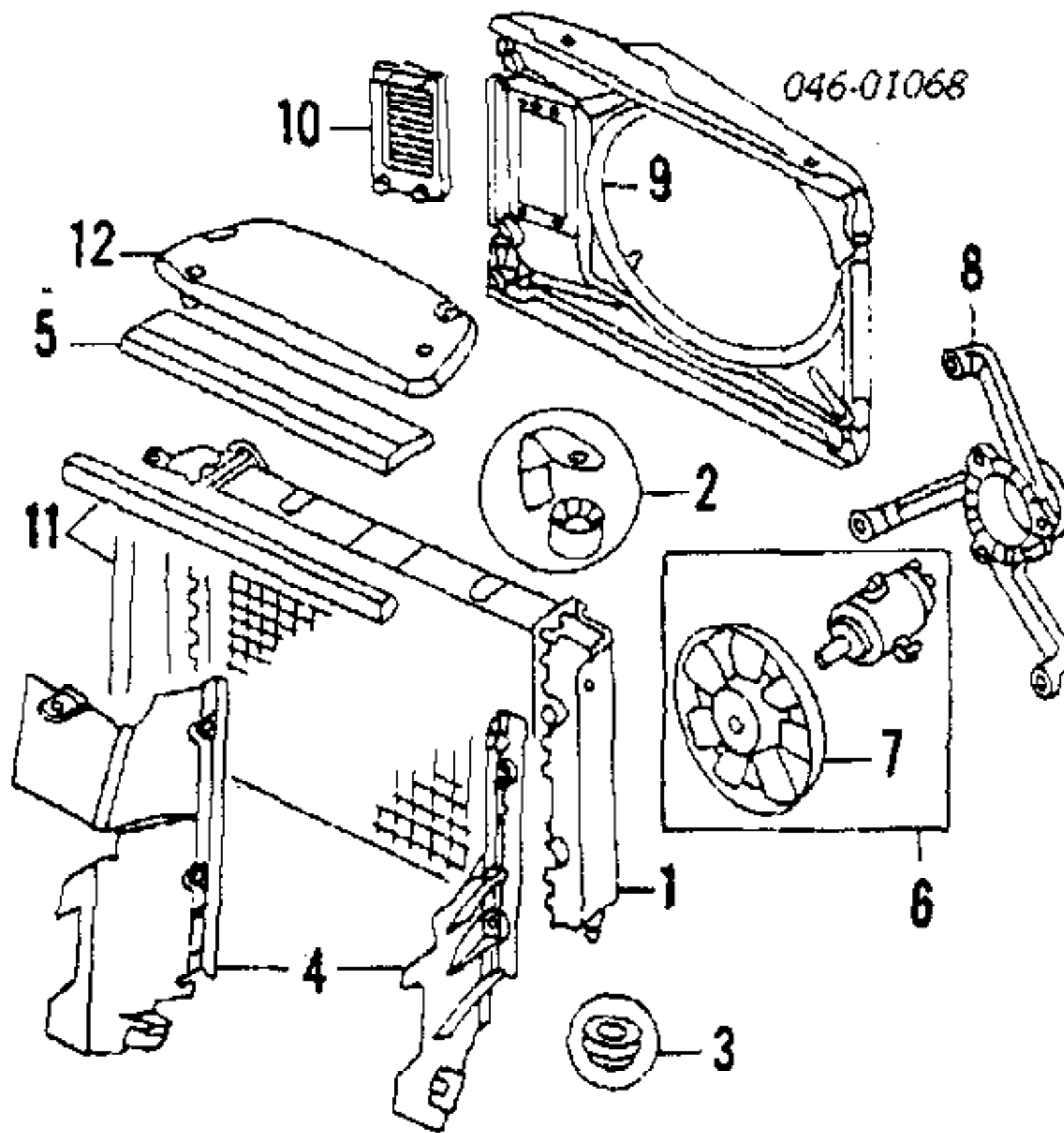
3 Catch, Lower	R/L 535 823 599	.2	2.30
4 Hook, Safety Catch	535 823 507	.2	12.65
5 Pin Kit, Lock	R/L 431 898 550	.2	11.05
6 Rod, Prop	90-91 535 823 361	.2	30.65
	92-95 535 823 361 B	.2	30.15
7 Cable, Release	536 823 531	#.5	43.55
8 Lever, Locking	90-91 R 535 823 590	#.5	12.65
	L 535 823 589	#.5	12.65
	92-95 R 535 823 590	#.5	12.65
	L 535 823 589 A	#.5	12.45
9 Guide, Cable (3)	535 823 557	#.5	20.10
10 Sleeve, Cable	R 443 823 597 A	#.5	2.45
	L 811 823 555	#.5	6.60

#R&R Complete			
11 Clip, Cable	R/L 191 823 567		.58
Lever, Cable Release	535 823 533		46.00
12 Seal, Front	535 823 737 B	.3	42.95
Seal, Rear			
13 Upper	535 819 521	.2	20.15
14 Lower	701 823 737	.2	18.40
¶Cut to Fit			

COOLING

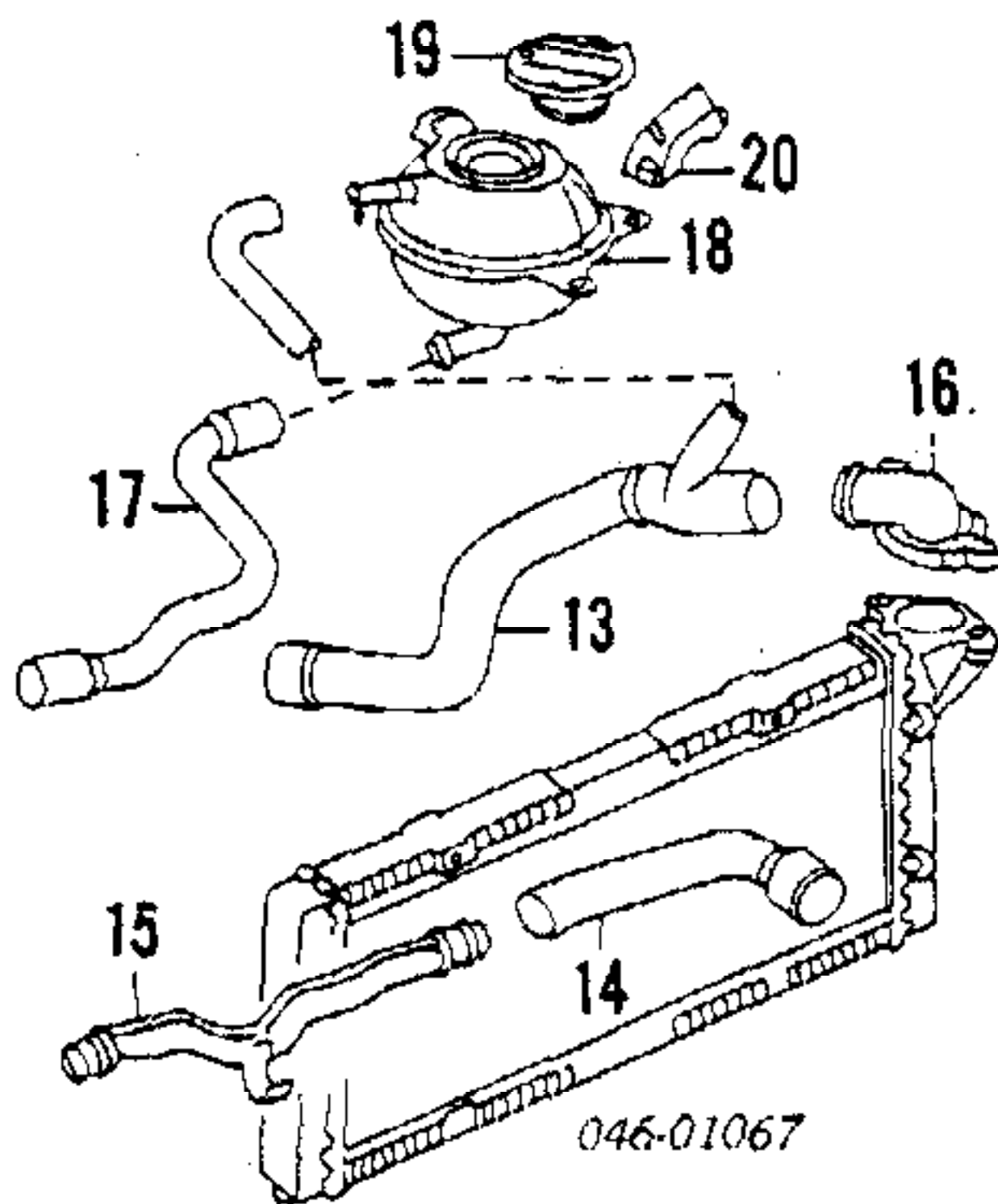
Use Procedure Explanations 5 and 28 with the following text.

4 CYLINDER



046-01068

1 Radiator Assy	535 121 251 C	#2.0	210.00
#w/Support Assy Removed Deduct .8			
2 Mount & Plate, Upper			
Rubber Grommet	R/L 535 121 275		4.40
Retaining Plate	R 535 121 267 A		7.60
	L 535 121 267		4.05
3 Mount, Lower	R/L 171 121 276 D		.33
4 Baffle, Radiator Air			
Side	R 535 121 282	#1.0	50.65
	L 535 121 283 B	#1.0	55.55
5 Upper	535 121 291	#1.0	13.00
#R&R Complete, Included in R&R Radiator			
6 Fan Assy, Cooling	1H0 959 455 G	.8	240.00
7 Blade, Fan	191 959 465 C	#1.0	74.30
¶Included w/Cooling Fan Assy			
8 Bracket, Fan Assy	535 121 209	#1.0	27.35
9 Shroud, Fan	535 121 205	#1.0	61.30
#R&R Complete			
10 Plate, Shroud	357 121 223		22.80
11 Seal, Radiator	535 121 230 A		2.15
¶560mm, Cut to Fit			
12 Cover, Upper	535 121 343 B	.2	23.15

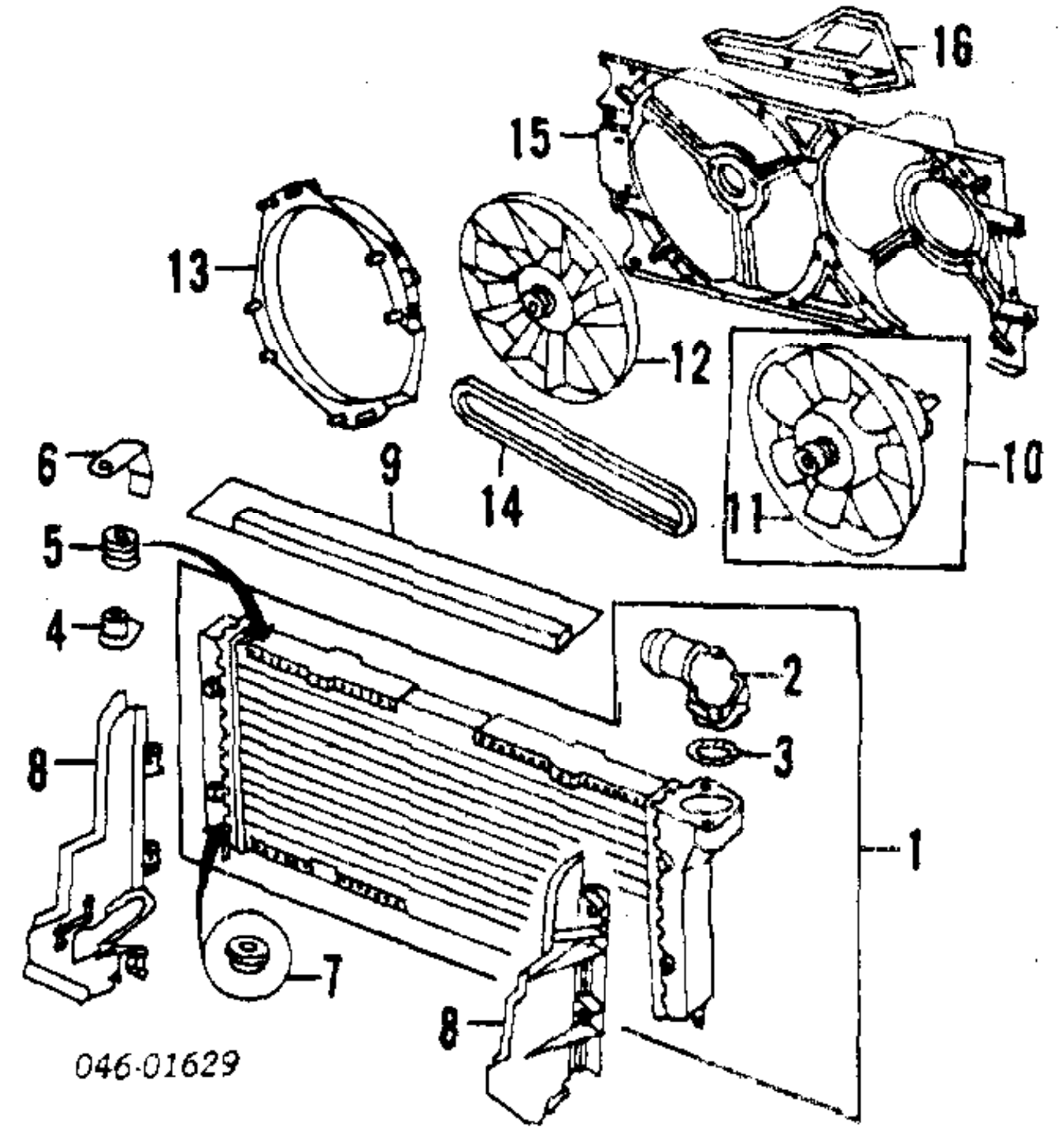


046-01067

13 Hose, Rad Upper	535 121 101 C	#.6	99.75
14 Hose, Rad Lower	191 121 051 M	#.6	24.45
#R&R Upper & Lower .9			
15 Pipe, Water	191 121 083		84.80
16 Adaptor, Elbow	535 121 647		9.40
17 Hose, To Coolant Tank			
Man Trans	535 121 109	.2	24.80
Auto Trans	535 121 109 A	.2	76.20

18 Tank, Coolant	1H0 121 407 A IED	.3	d21.98
19 Cap, Tank	1H0 121 321 C		17.50
20 Cap, Stud Mtg	357 121 422		2.70
Brkt, Tank Mtg	191 121 409 C IED		d4.22
Pump Assy, Water			
New	037 121 010 B m	2.8	195.40
Remanufactured	037 121 010 AX m	2.8	85.00
¶Remanufactured Part. Contact Dealer for Core Charge & Exchange Information			
Housing w/Impeller (a)	026 121 005 H m	2.8	78.00
(a) Included w/Pump Assy			
Pulley, Pump	037 121 031 A m	.5	30.65

V6

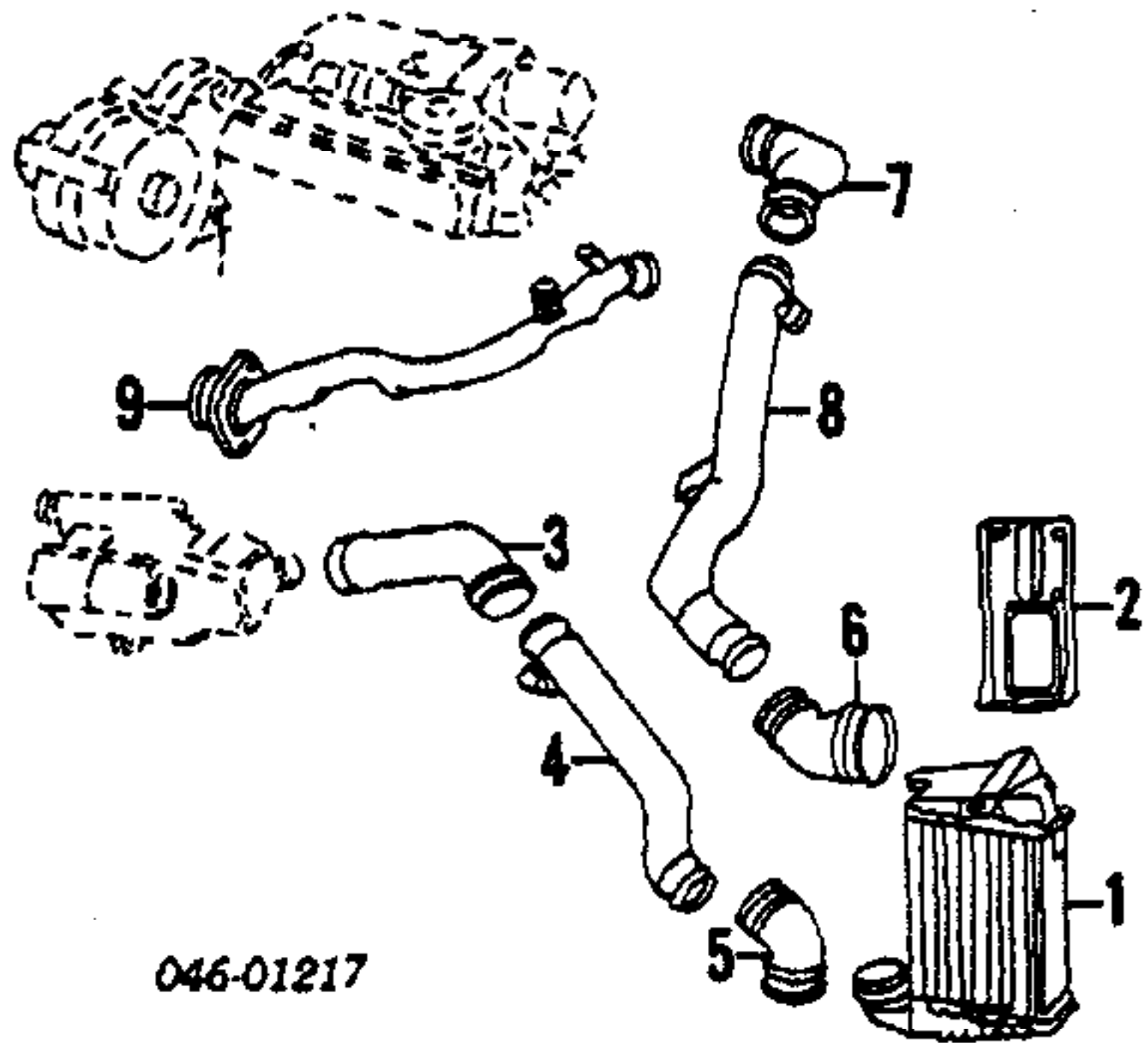


046-01629

1 Radiator Assy	535 121 251 E	#2.5	210.00
#w/Support Assy Removed 1.0			
2 Outlet, Radiator (a)	535 121 647	1.0	9.40
3 Seal, Outlet (a)	535 121 687		2.00
(a) Included w/Radiator Assy			
4 Spacer	R/L 535 121 276 C		15.15
5 Grommet, Rubber	R/L 535 121 275		4.40
6 Bracket, Mtg	R 535 121 267 D		3.80
	L 535 121 267 E		3.80
7 Mount, Lower	R/L 171 121 276 D		.33
8 Baffle, Radiator Air			
Side	R 535 121 282 A	#1.0	48.45
	L 535 121 283 J	#1.0	21.00
9 Upper	535 121 291 A	#1.0	10.05
#R&R Complete, Included in R&R Radiator			
10 Fan Assy, Cooling	100 959 455 L	#.8	180.00
#Included in R&R Fan Shroud			
11 Blade, Fan	357 959 465 A	1.0	70.15
¶Included w/Cooling Fan Assy			
12 Fan & Bearing	357 119 113 A	#1.0	110.95
#Included in R&R Fan Shroud			
13 Ring, Guide	R/L 357 121 210		6.40
14 Belt, Drive	1H0 119 137 A	#.8	9.00
#Included in R&R Fan Assy &/or Fan & Bearing			
15 Shroud, Fan	357 121 207 F	#1.5	94.20
#Includes R&R Cooling Fan Assy, Fan & Bearing, Drive Belt & Upper Cover			
16 Cover, Upper	535 121 343 C	#.3	23.15
#Included in R&R Radiator, Fan Assy &/or Fan Shroud			
17 Hose, Rad Upper			
Man Trans	90-94 535 121 101 L	#.6	119.35
	95 535 121 101 L	#.6	119.35
Auto Trans	91-94 535 121 447 B	#.6	163.95
	95 535 121 447 B	#.6	163.95
	95 535 121 447 B	#.6	163.95
18 Hose, Rad Lower	90-94 535 121 051 C	#.6	45.85
	95 535 121 051 D	#.6	N.A.
#R&R Upper & Lower .9			
19 Hose, Coolant Tank			
Man Trans	535 121 063 A	.2	55.30
Auto Trans			
To VIN N-021000	535 121 449	.2	139.45
From VIN N-021001	535 121 449 A	.2	143.65

20 Hose, Pump to Heater	1H0 121 073 C	.6	31.00
21 Hose, Throttle Valve To Heater	1H0 121 157 H	.6	66.30
22 Tank, Coolant	021 121 407	.3	45.25
23 Cap, Coolant Tank	1H0 121 321 C		17.50
24 Brkt, Tank Mtg	191 121 409 C IED		d4.22
25 Cap, Stud	1H0 121 422		4.50
26 Pipe, Water	021 121 050 C	.6	35.30
27 Housing, Thermostat	021 121 117 A	m 1.0	47.75
28 Pump, Water (Auxiliary)	034 965 561 C	m .4	194.65
Pump, Water New	021 121 004 A	m 2.0	178.55
Remanufactured¶	021 121 004 X	m 2.0	85.00
¶Remanufactured Part. Contact Dealer for Core Charge & Exchange Information			
Pulley, Pump	021 121 031 A	m .5	14.95

INTERCOOLER



046-01217

1 Cooler, Air	535 145 805 A	m 1.6	292.95
2 Bracket, Air Cooler	535 145 689	m	30.65
3 Hose, Charger	535 145 828 A	m .6	115.25
4 Pipe, Connecting To VIN M-000660	535 145 844 A	m .6	62.05
From VIN M-000661	535 145 844 B	m .6	62.05
5 Hose, Pressure Lower To VIN M-000660	535 145 845 A	m .6	56.50
From VIN M-000661	535 145 845 B	m .6	56.50
6 Hose, Upper to Cooler	535 145 832 A	m .6	82.95
7 Hose, Upper to Eng To VIN M-000660	357 145 838 A	m .6	98.55
From VIN M-000661	535 145 838	m .6	137.15
8 Pipe, Connecting To VIN M-000660	535 145 770	m .4	29.10
From VIN M-000661	535 145 770 A	m .4	36.25
9 Pipe, Connecting	191 145 826 B	m .4	46.60

A/C REFRIGERANT CAPACITIES

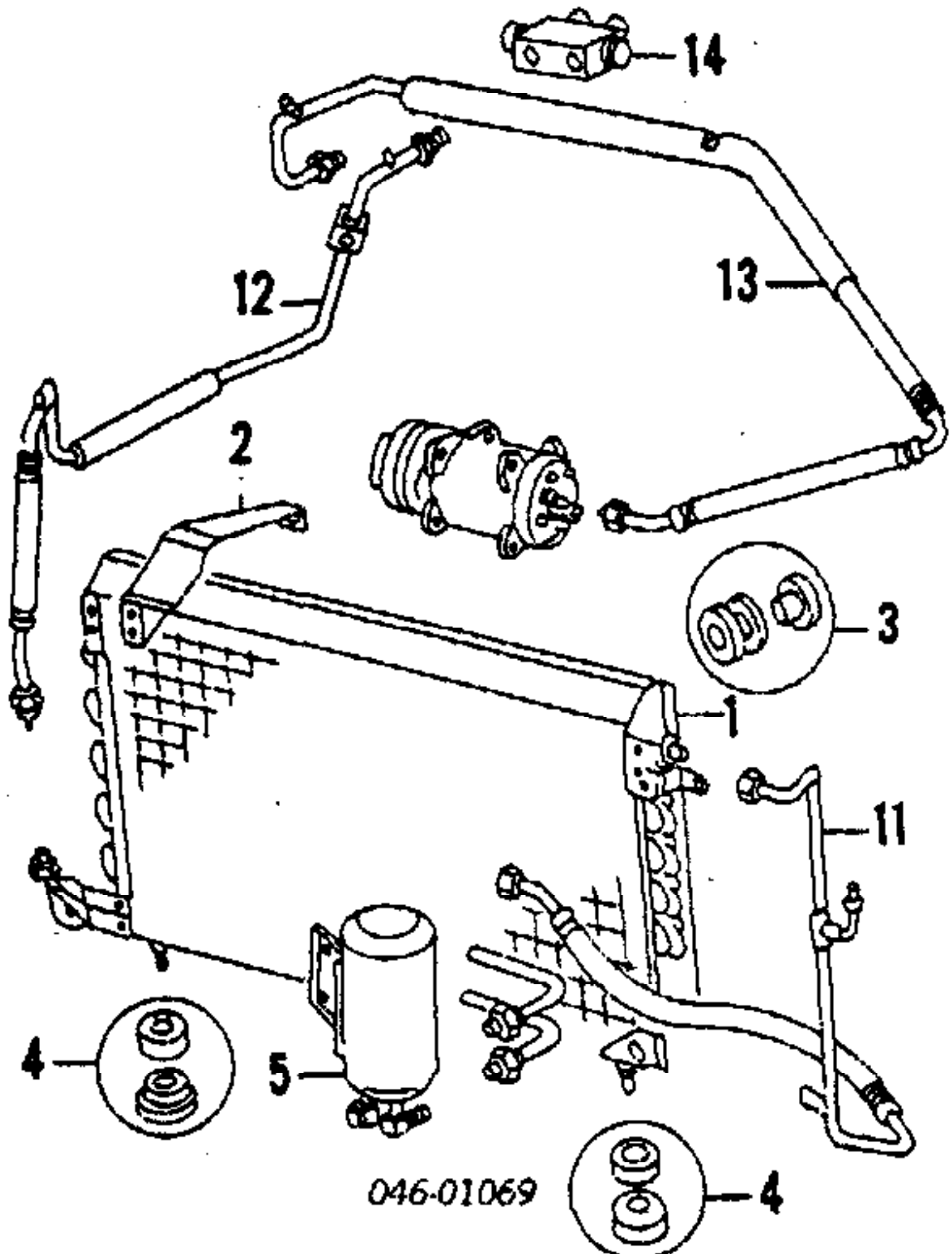
A/C R-12 Refrigerant Capacity
 1990: 37-41 Ozs (2.31-2.56 Lbs)
 1991-92: 37-40 Ozs (2.31-2.50 Lbs)
 A/C R-134 Refrigerant Capacity
 1993-95: 35.0-36.8 Ozs (2.18-2.30 Lbs)

AIR CONDITIONING/HEATER

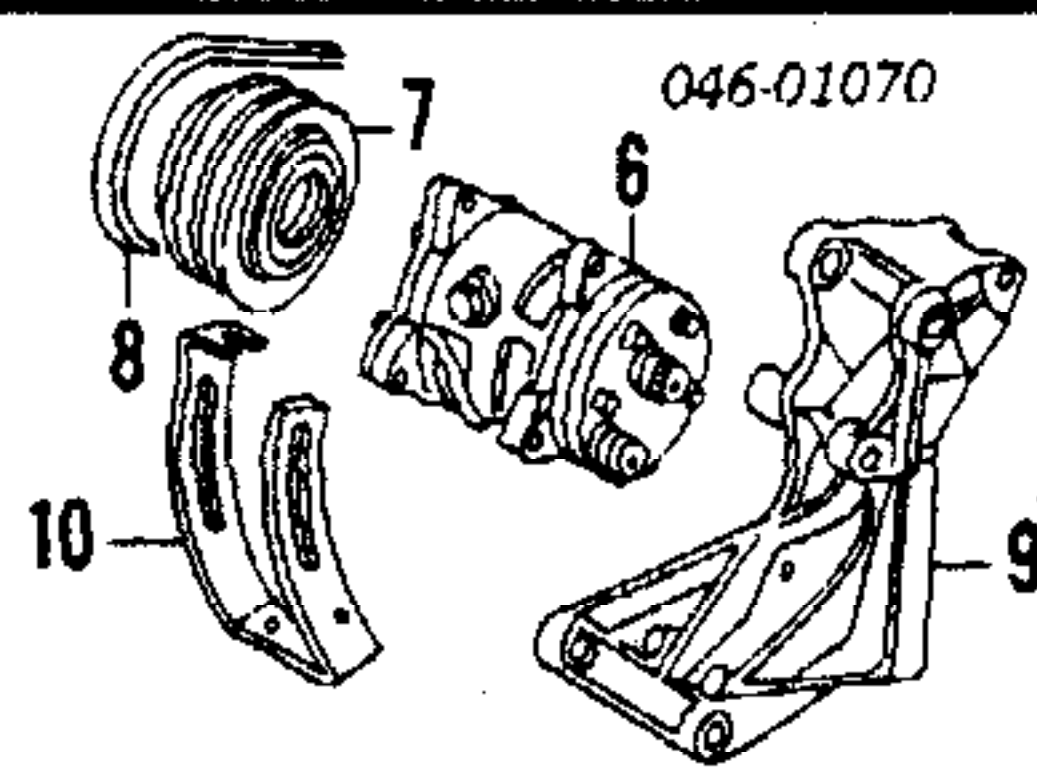
Use Procedure Explanation 6 with the following text.

Evacuate & Recharge System	m 1.4
Refrigerant Recovery	m .3

NOTE: R&I/R&R Does Not include recover, evacuate and recharge system.

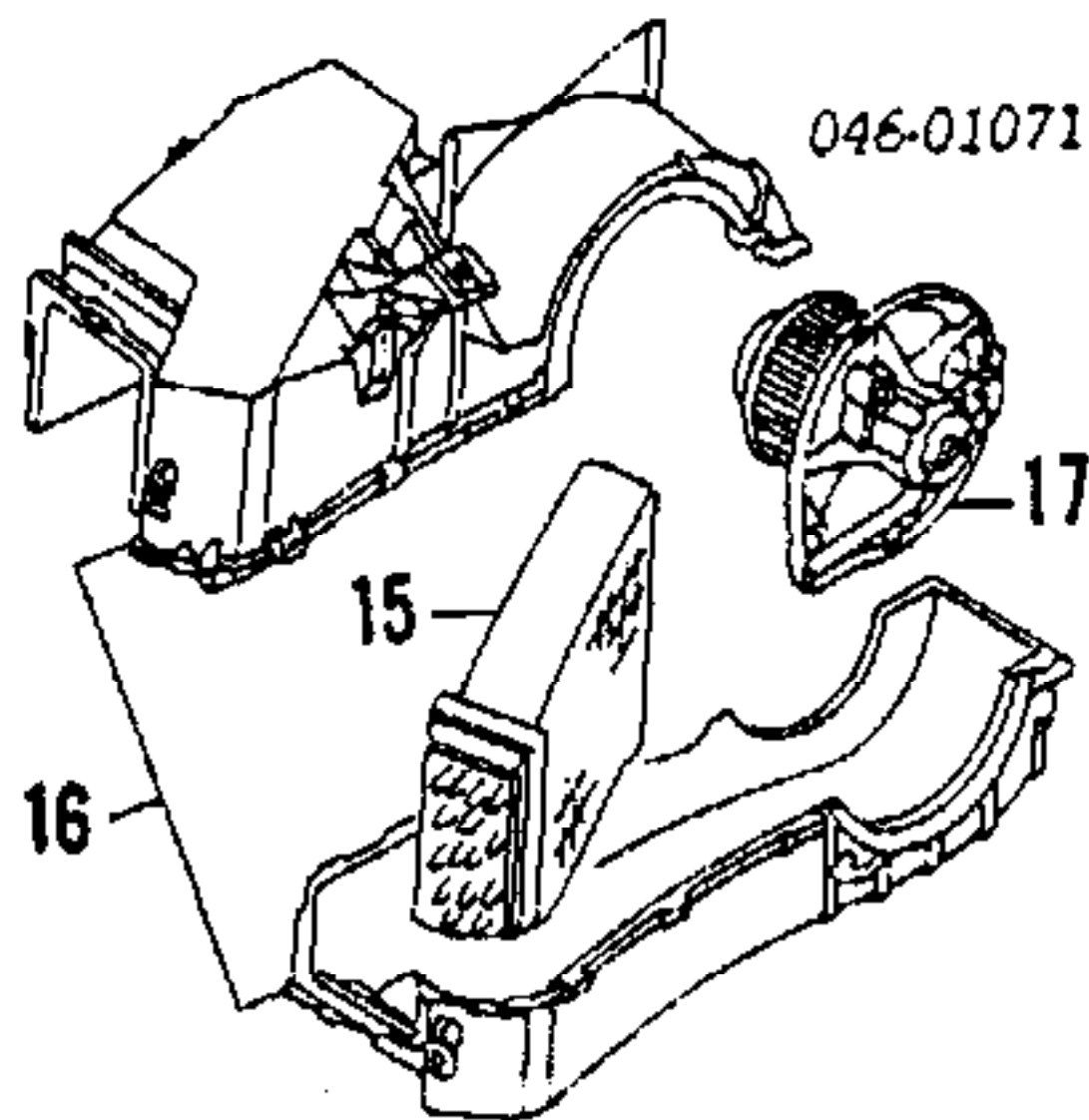


046-01069



046-01070

1 Condenser					
1990-92					
4 Cyl	191 820 413 D	m #1.9	466.00		
V6	535 820 413	m #1.9	601.80		
1993-95	535 820 411 D	m #1.9	697.00		
#w/Radiator Removed .7					
2 Bracket, Upper	535 820 422	m	9.55		
3 Mount, Upper	191 820 402	m	2.90		
4 Mount, Lower Rubber Washer, Mount	R/L 191 820 409	m	2.95		
	R/L 171 121 276 D	m	.33		
5 Receiver/Drier					
1990-92	176 820 191	m 1.0	64.95		
1993-95	7D1 820 191 A	m 1.0	206.00		
6 Compressor					
4 Cyl	357 820 803 A	m #3.3	786.00		
V6	92 357 820 803 J	m #3.3	786.00		
	93-95 357 820 803 R	m #3.3	594.00		
7 Clutch & Pulley					
4 Cyl	357 820 811 A	m #3.3	315.55		
V6	357 820 811 D	m #3.3	325.85		
#R&R Complete					
8 Belt, Drive					
4 Cyl	037 145 933 C	.5	71.70		
V6	021 145 933 H	.5	48.00		
9 Bracket, Compressor					
4 Cyl-See Supercharger Section					
V6	021 260 087	m #.2	122.80		
#w/Compressor Removed					
10 Brace, Adjust					
4 Cyl	027 260 917 A		18.70		
V6-Not Applicable					
11 Hose, Cond/Compressor					
4 Cyl	535 820 721 C	m #.8	287.80		
V6	92 535 820 721 F	m #.8	283.20		
	93-95 535 820 721 J	m #.8	426.15		
12 Hose, Cond/Evaporator					
4 Cyl	535 820 742	m #.8	226.65		
V6	92 535 820 742 E	m #.8	284.60		
	93-95 535 820 742 E	m #.8	284.60		
13 Hose, Comp/Evaporator					
4 Cyl	535 820 743 B	m #.8	365.95		
V6	92 535 820 743 E	m #.8	406.70		
	93-95 535 820 743 L	m #.8	422.00		
#Each Additional .2					
14 Valve, Expansion					
4 Cyl	191 820 679	m .8	55.10		
V6	92 1H0 820 679	m .8	260.50		
	93-95 6N0 820 679 A	m .8	65.80		



046-01071

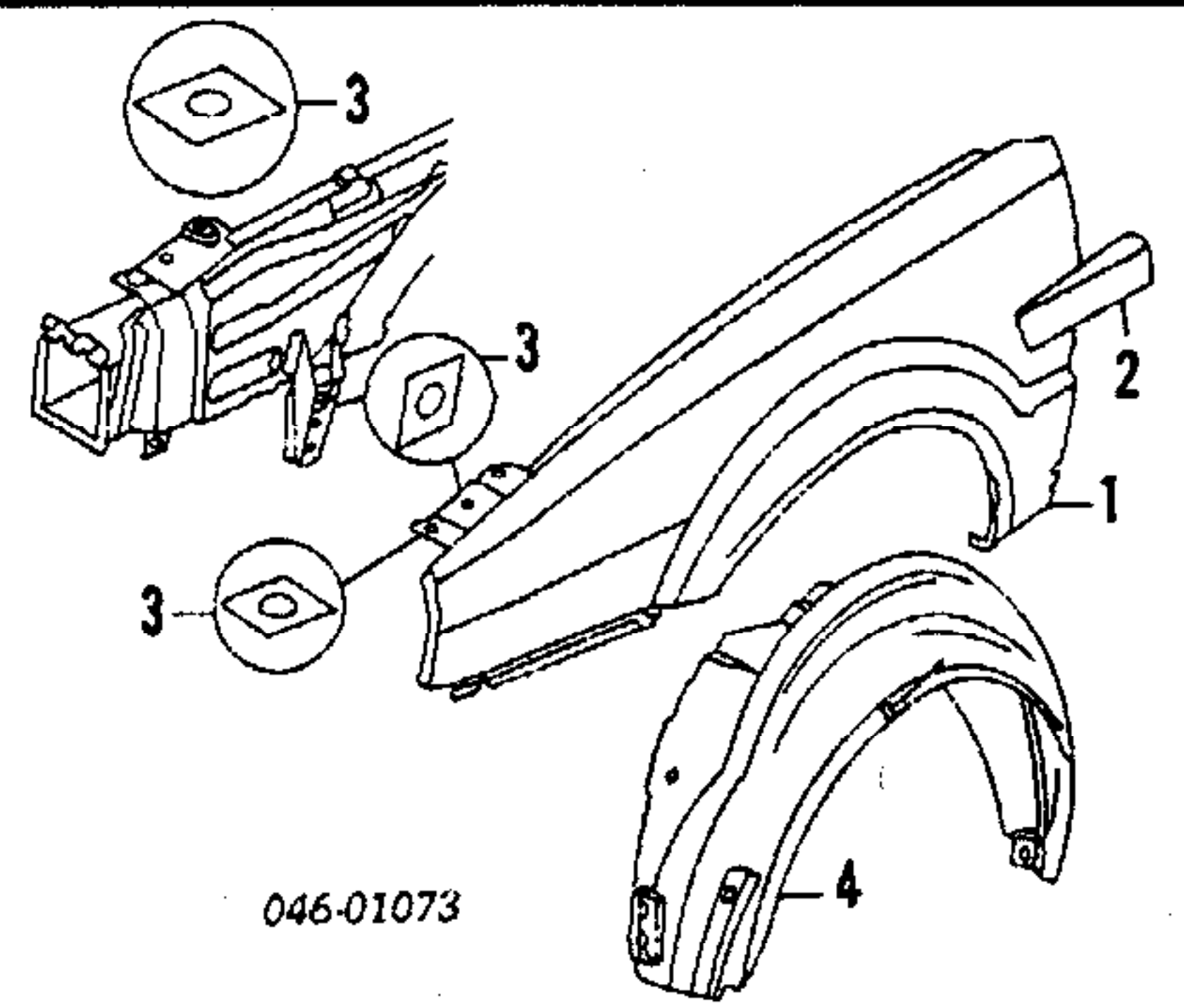
15 Core, Evaporator					
4 Cyl	357 820 103	m #7.1	674.00		
V6	92 357 820 103 A	m #7.1	801.00		
	93-95 357 820 103 C	m #7.1	482.70		
16 Housing, Evaporator	191 820 024 A	m #7.1	145.55		
#R&R Complete, Includes R&I Instrument Panel					
17 Motor, Blower	357 820 021	m 1.2	185.25		
18 Core, Heater	1H1 819 030 A	m #6.8	121.15		
19 Housing, Heater	90-92 176 820 353	m #6.8	141.60		
	93-95 357 820 351 C	m #6.8	436.80		
#R&R Complete, Includes R&I Instrument Panel					

FRONT FENDER

Use Procedure Explanations 7 and 28 with the following text.

Refinish Fender Outside	R/L	2.4
Add to Edge Fender	R/L	.5
R&I Fender Assy	R/L	1.8

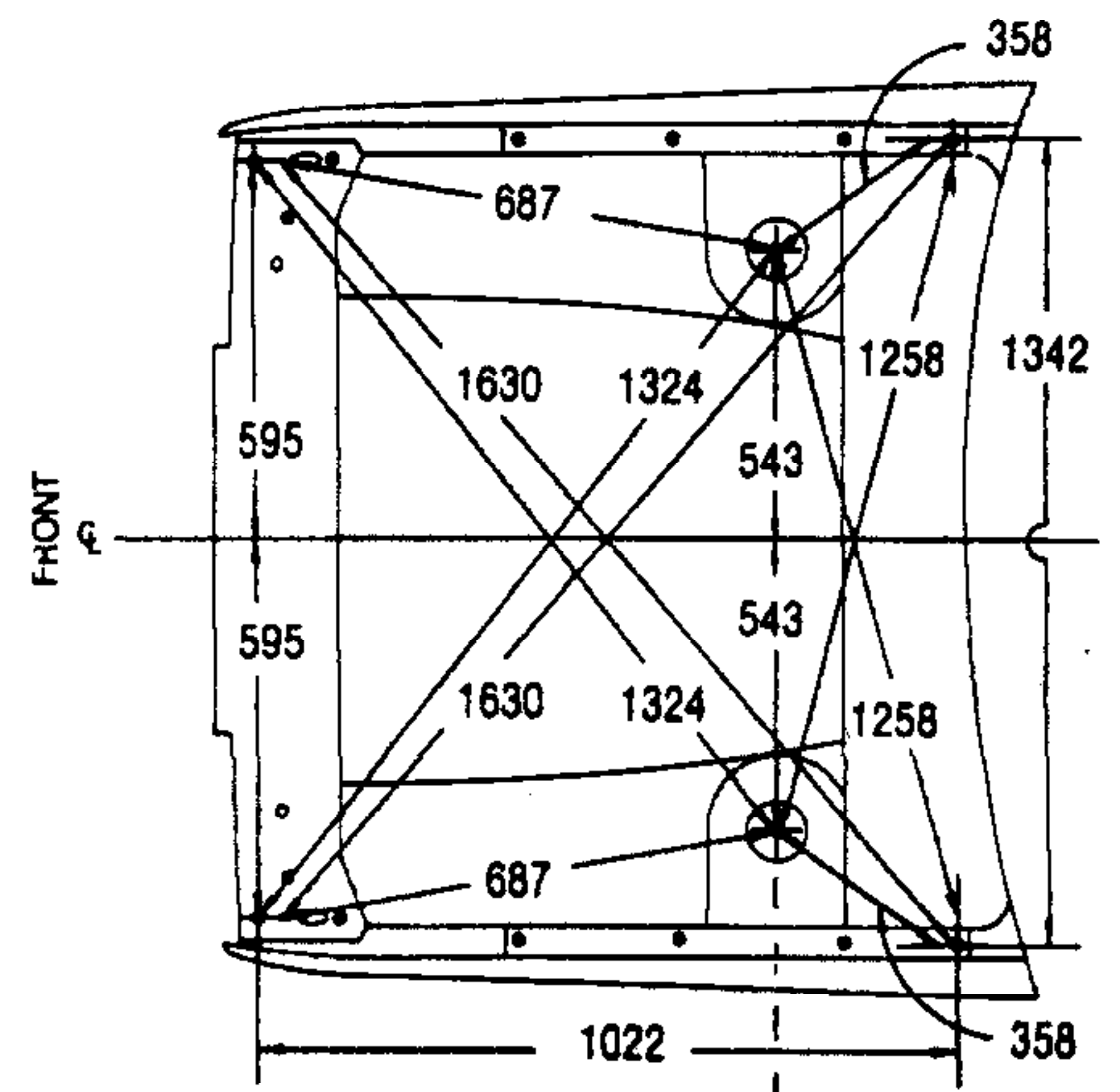
NOTE: Volkswagen advises that since 1985, it has incorporated a corrosion protective seal on certain bolted on parts. These include fenders, hoods & deck lids. To insure adequate corrosion protection, you must replace or reinstall the zinc foil plates.



046-01073

1 Fender					
90-91 R	535 821 022 B	2.0	375.00		
L	535 821 021 B	2.0	375.00		
92-95 R	535 821 022 D	2.0	375.00		
L	535 821 021 D	2.0	375.00		
2 Moulding, Side					
90-91 R	535 853 504 2BC	.2	20.25		
L	535 853 503 2BC	.2	20.25		
92-95 R	535 853 504 A 2BC	.2	20.25		
L	535 853 503 A 2BC	.2	20.25		
	AKL 381 035 50		13.55		
3 Plate, Zinc Foil (a)					
(a) Package of 50					
4 Shield, Splash					
90-91 R	535 809 962 B	.4	63.80		
L	535 809 957 A	.4	63.80		
92-95 R	535 809 962 C	.4	63.80		
L	535 809 961 E	.4	63.80		
Clip, Splash Shield (6)	R/L 443 821 699		.52		

UNDERHOOD DIMENSIONS

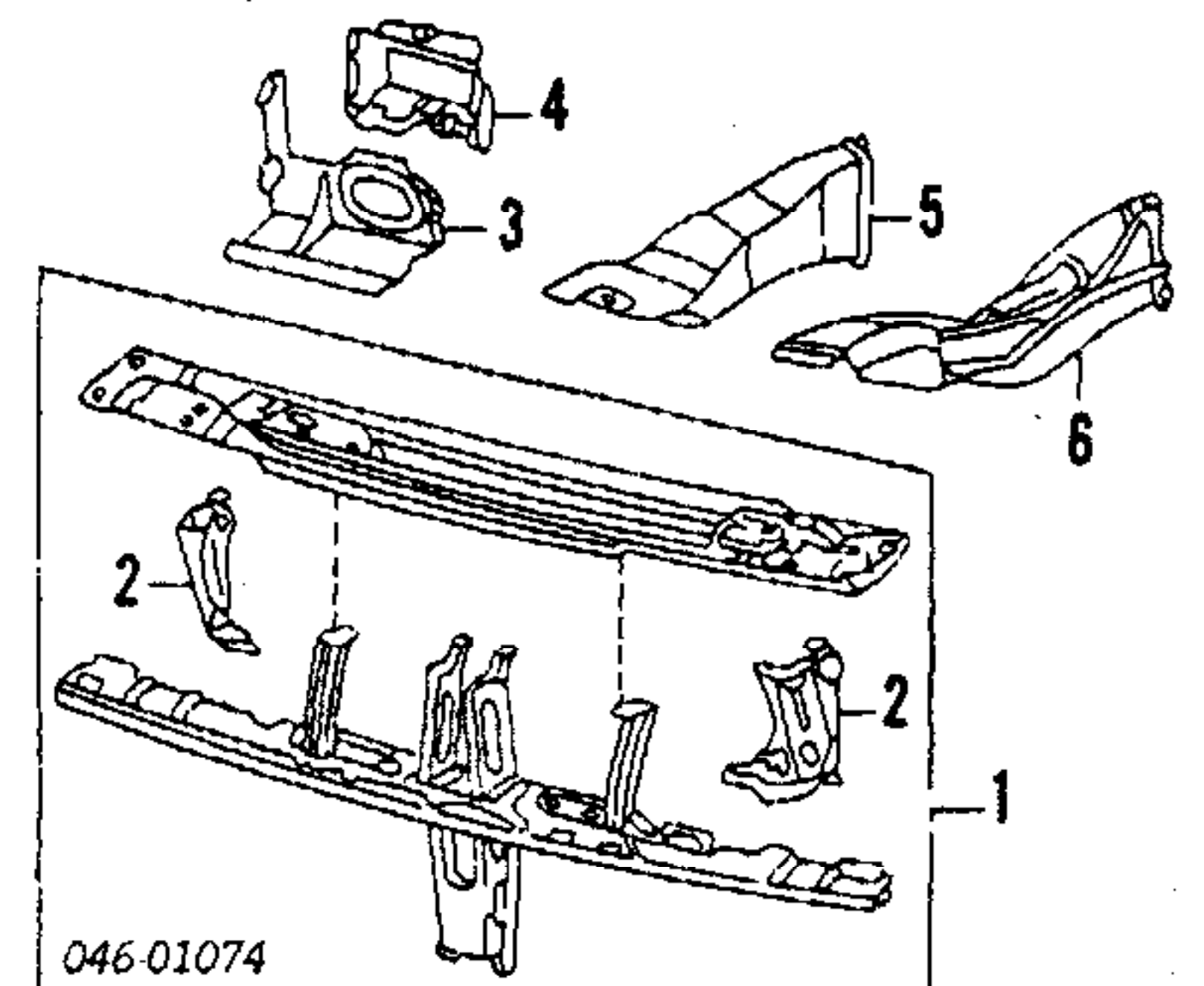


046-01703

FRONT INNER STRUCTURE

Use Procedure Explanations 8 and 28 with the following text.

Refinish Support Assy	1.5
Add to R&R Support Assy	
To Aim Lamps	.4



046-01074

1 Support Assy					
4 Cyl	535 805 591 A	#4.5	725.00		
V6	535 805 591 C	#4.5	699.00		
#Includes R&I Grille & R&I/R&R H/Lamp Assemblies, Hood Latch, Prop Rod & Retainer, Hood Stops, Horns & Brackets, Air Cleaner & Ducts, Radiator Baffles, Bumper Support Brackets, Disconnect & Connect Wiring & Hood Release Cable as Necessary, Not Necessary to R&I/R&R Radiator/Shroud or Condenser					
2 Support, Outer¶					
4 Cyl	R 535 805 598 A		191.35		
	L 535 805 597 A		191.35		
V6-Serviced w/Support Assy					
¶Included w/Support Assy					

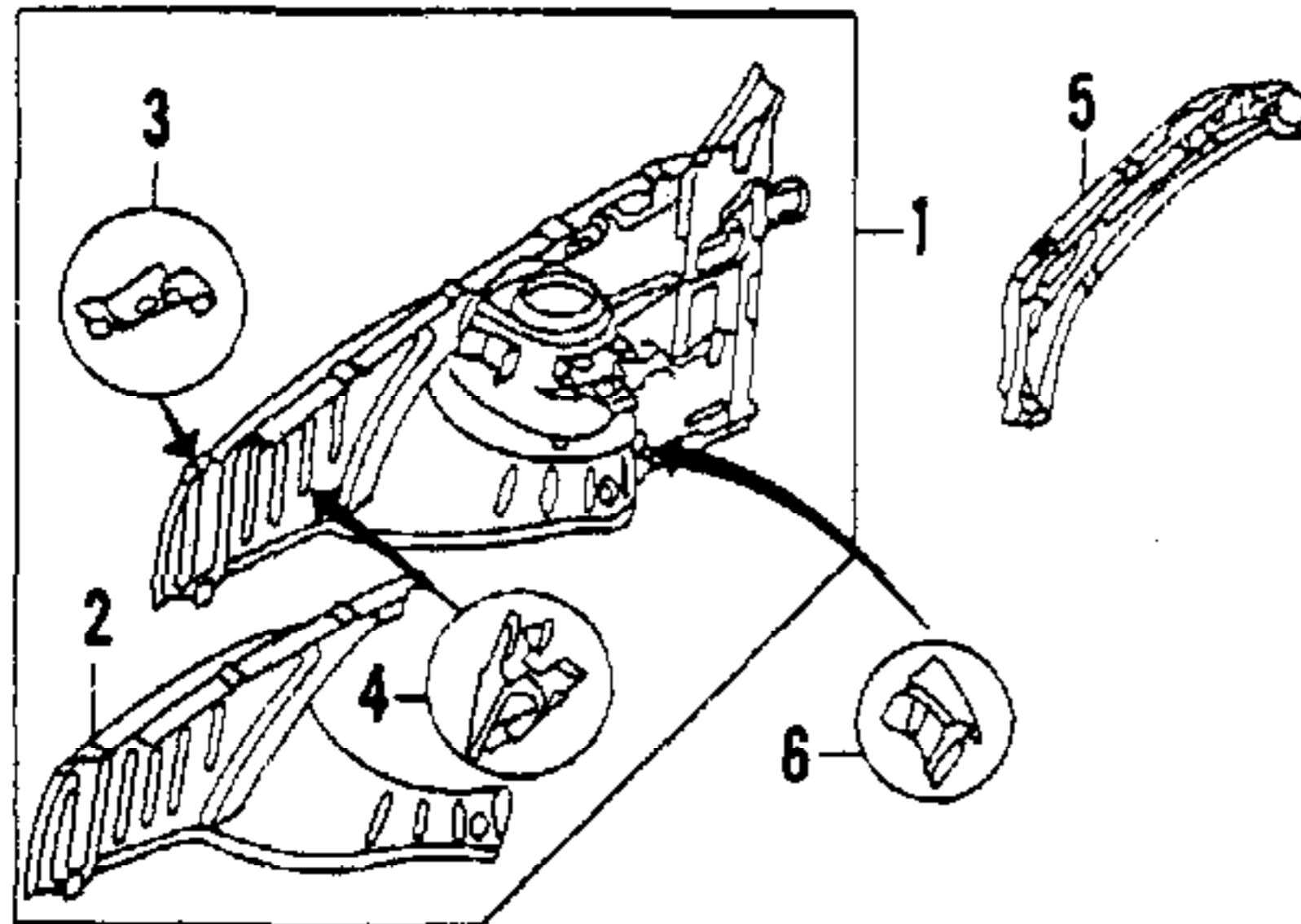
VW CORRADO 1990-95

FRONT INNER STRUCTURE Cont'd

FRONT Cont'd			
3 Duct, Air Intake	535 805 962	.4	10.65
4 Flap, Air Duct	535 805 965		4.65
Duct, Air			
5 Right Front			
4 Cyl	535 805 826	.3	84.50
V6	535 805 826 B	.3	84.50
6 Left Front			
4 Cyl	90-91 535 805 825 B	.3	84.50
	92 535 805 825 C	.3	83.15
V6	535 805 825 E	.3	84.50

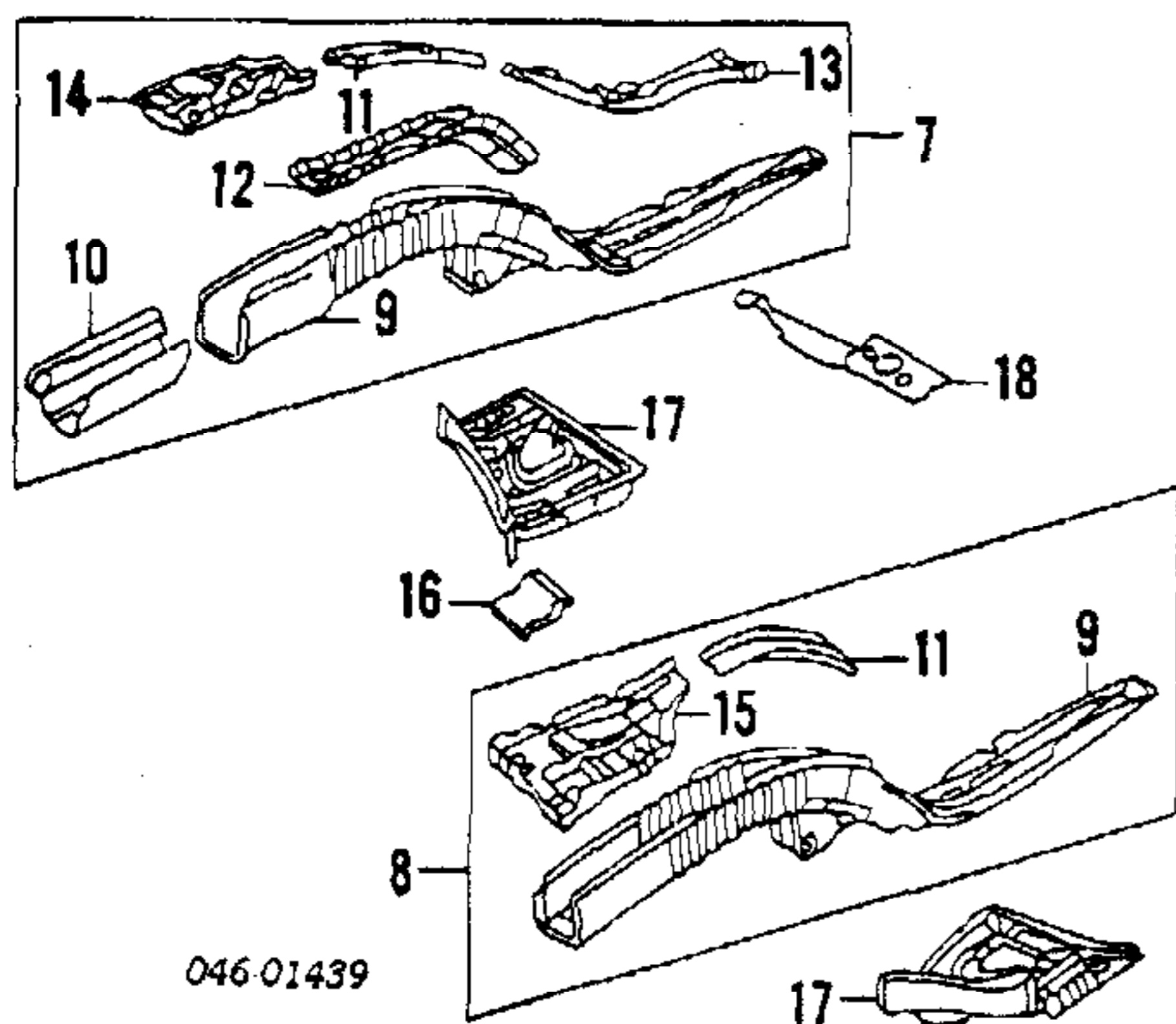
SIDE

Refinish Apron Assy	R/L	1.5
Refinish Front Section	R/L	.5
Refinish Rail Assy	R/L	1.0



046-01438

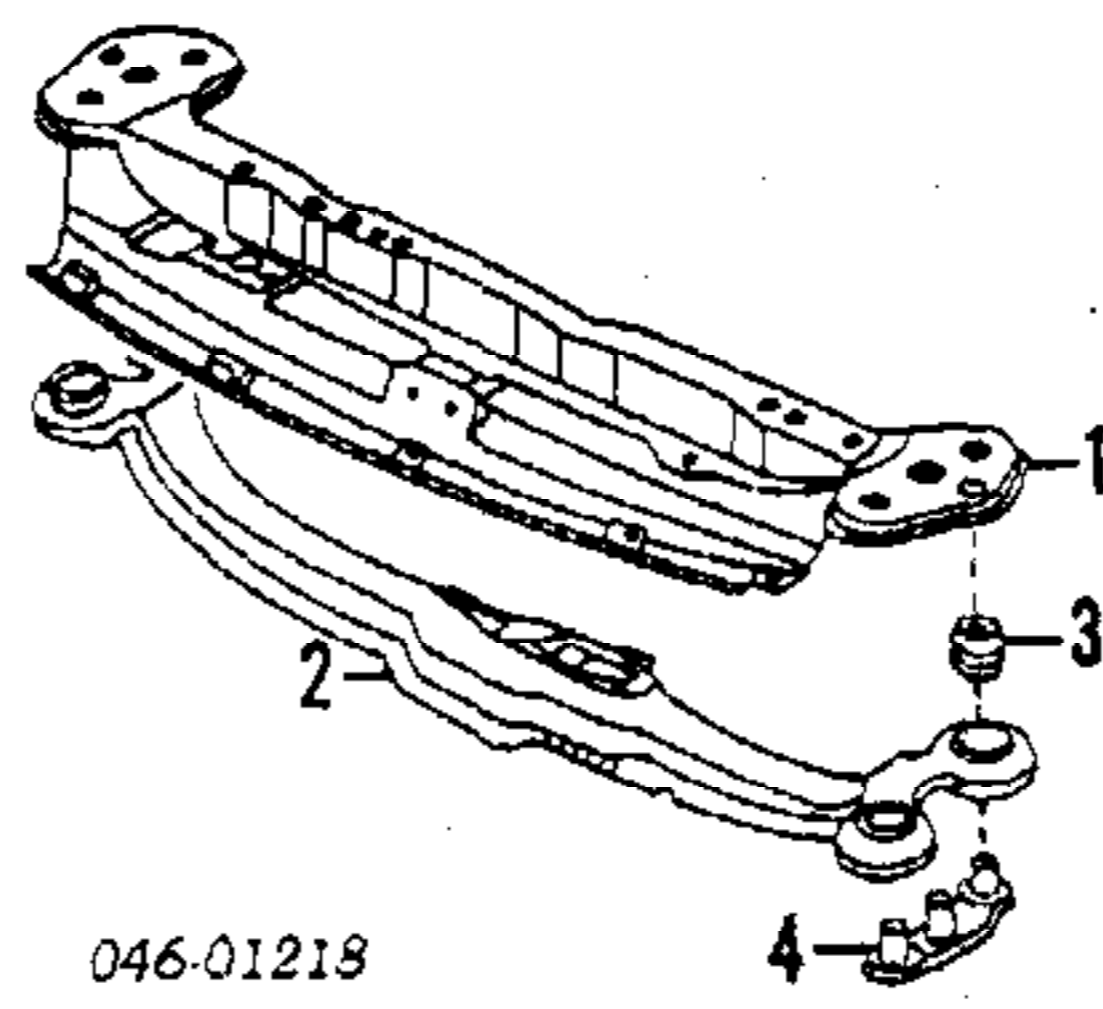
1 Apron Assy				
1990	R	535 809 102 C	s #11.0	545.00
	L	535 809 101 E	s #11.0	654.00
1991	R	535 809 102 C	s #11.0	545.00
	L	535 809 101 E	s #11.0	654.00
1992-95	R	535 809 102 C	s #11.0	545.00
	L	535 809 101 E	s #11.0	654.00
#w/Necessary Bolted Parts, Assemblies & Hinge Pillar Removed, w/Support Assy Removed Deduct 1.5				
2 Panel, Front	R	535 809 112 A	s #4.0	495.05
	L	535 809 111 A	s #4.0	495.05
#w/Necessary Bolted Parts & Wiring Removed				
3 Plate, Tie Bar	R	535 809 142	s	26.45
	L	535 809 141 A	s	26.45
4 Bracket	R	535 809 140	s	115.20
	L	535 809 135	s	153.60
¶Included w/Apron Assy				
5 Reinforcement, Apron	R	535 809 146	s 2.5	245.25
	L	535 809 145	s 2.5	245.25
6 Plate, Gusset	R	191 804 092	s	38.30
	L	191 804 091	s	38.30



046-01439

Rail Assy				
7 Right		535 803 058	s #10.5	502.00
8 Left		535 803 057 A	s #10.5	517.00
#w/Apron Removed 6.0				
9 Rail, Side	R	191 803 102 J	s	d427.40
	L	191 803 101 G	s	386.00
10 Reinforcement, Rail	R	176 804 190	s	16.00
	L	176 804 189	s	6.40
11 Cover, Rail Plate	R	191 803 108 A	s	15.85
	L	191 803 107 A	s	15.85
12 Plate, Gusset	R	191 804 142	s	90.95
	L	191 804 141	s	106.00
13 Shield, Fuel Line		191 804 140 A	s	d62.50
14 Plate, Rail Filler	R	191 803 122 C	s	24.25
15 Tray, Battery	L	535 803 093	s #1.5	39.20
¶Included w/Rail Assy				
#Includes R&R Battery				
16 Clamp, Battery		6X0 959 502		11.95
17 Plate, Connecting				
To Side Rail	R	191 804 080 B	2.0	271.45
	L	191 804 079 A	2.0	d107.15
18 Plate, Filler	R	191 803 086	1.0	d101.55
	L	191 803 085	1.0	d41.85

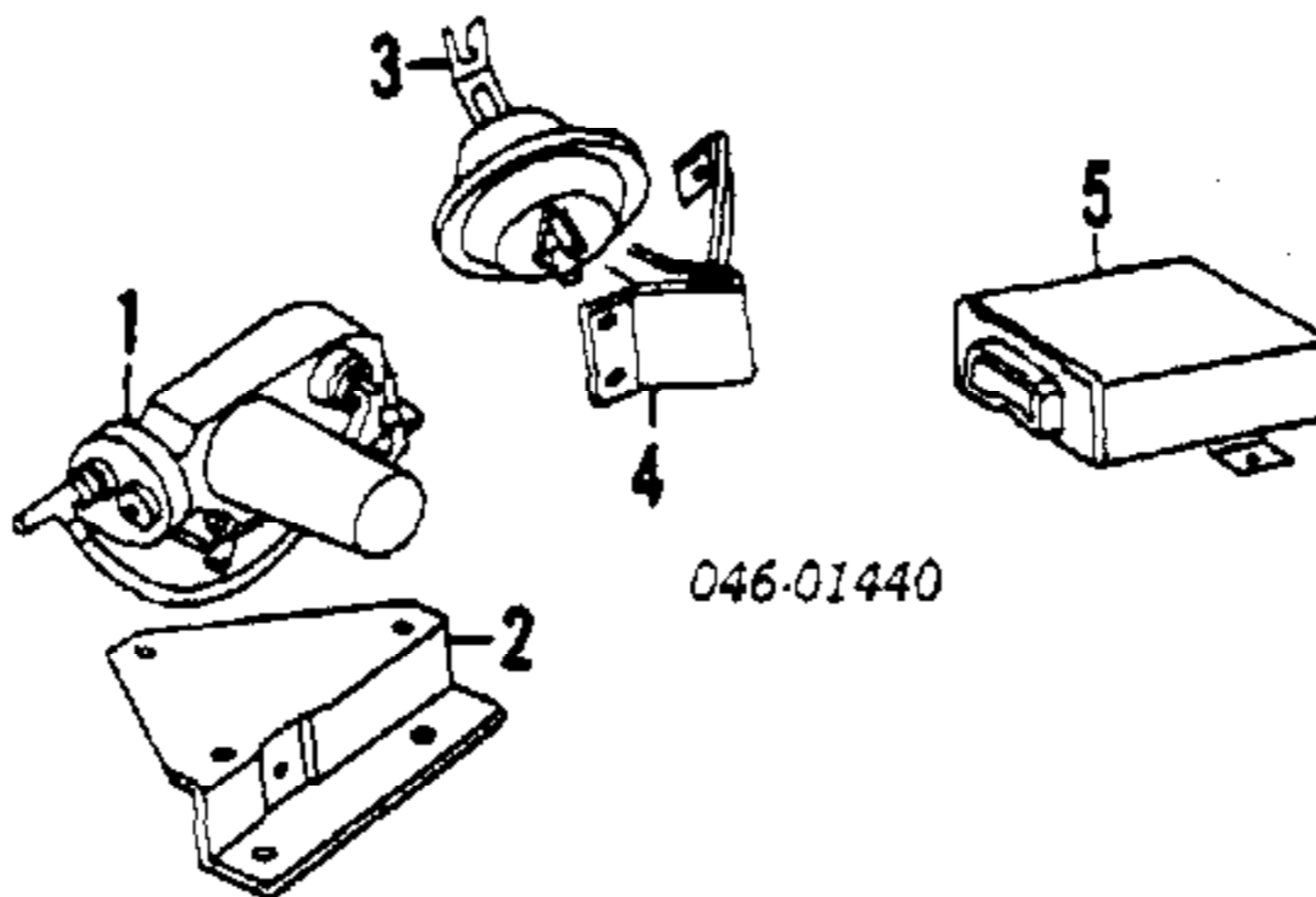
SUB-FRAME



046-01218

1 Crossmember, Front				
4 Cyl				
To VIN N-002100	535 199 171 D	m #2.0	397.85	
From VIN N-002101	535 199 171 G	m #2.0	397.85	
V6	535 199 171 H	m #2.0	397.85	
2 Reint/Carrier				
4 Cyl	191 199 201 D	m #2.0	336.95	
V6	3A0 199 201 B	m #2.0	369.60	
#R&R Complete, Includes Bushings & Brackets				
3 Bushing, Mount (4)	1E0 199 233	m	2.65	
4 Bracket, Lower	R/L 191 199 187	m	18.50	

CRUISE CONTROL SYSTEM



046-01440

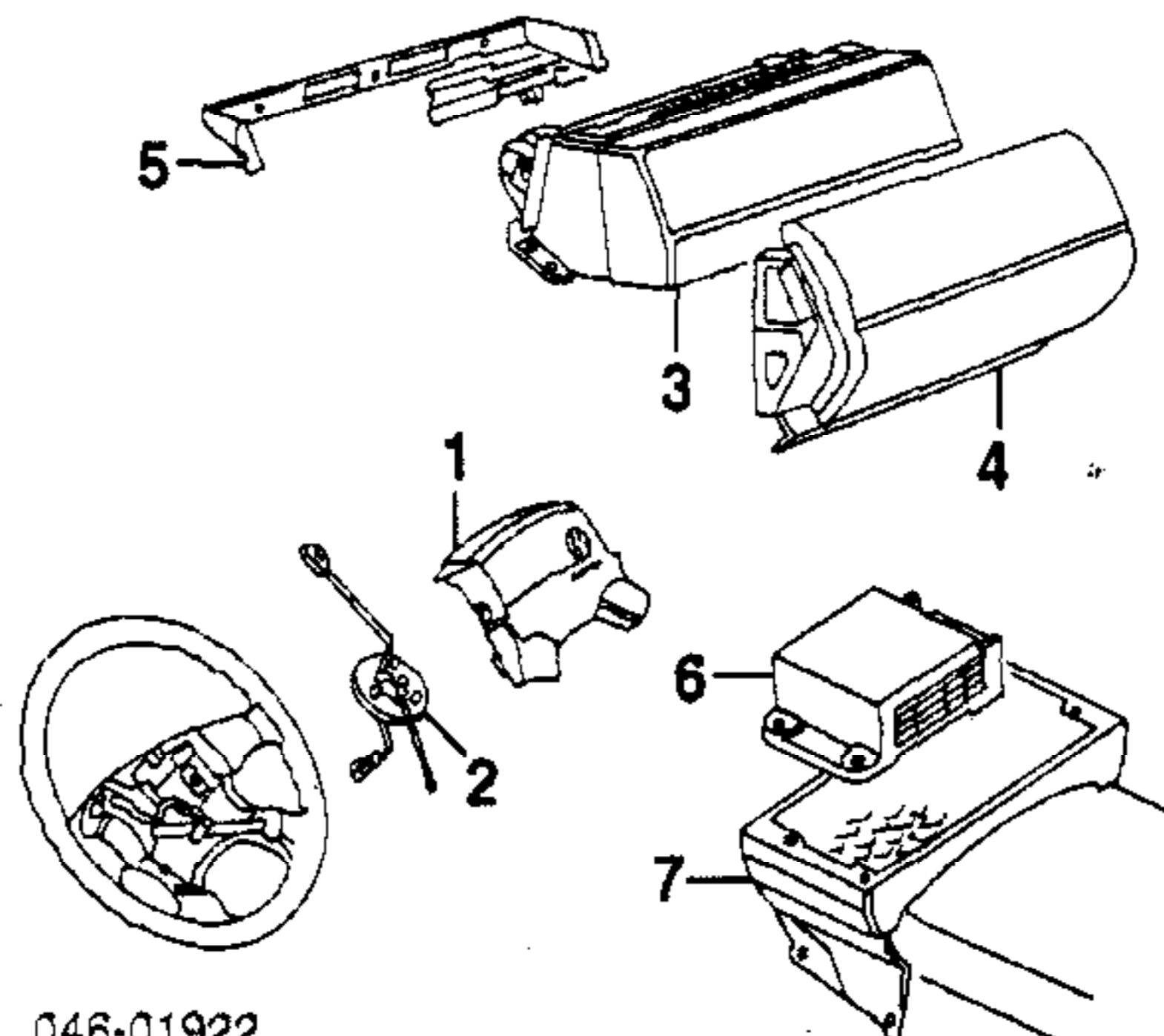
1 Actuator, Cruise	90-91	701 907 325	m .8	187.65
	92-95	1H6 907 325	m .8	233.00
2 Brkt, Actuator		535 907 347 A	m	18.50
3 Element, Throttle		165 907 327	m .8	40.55
4 Bracket, Element		027 133 829 A	m	5.25
5 Control Unit, Cruise		535 907 305	m 1.0	565.00

AIR BAG SYSTEM

Disable & Enable Air Bag System	m .3
Diagnose Air Bag System (If Required)	m .5

NOTE 1: R&R Does Not include disable and enable or diagnose Air Bag System.

NOTE 2: Refer to Procedure Explanation 30 for Supplemental Restraint/Air Bag Systems Component Inspection and Replacement information.



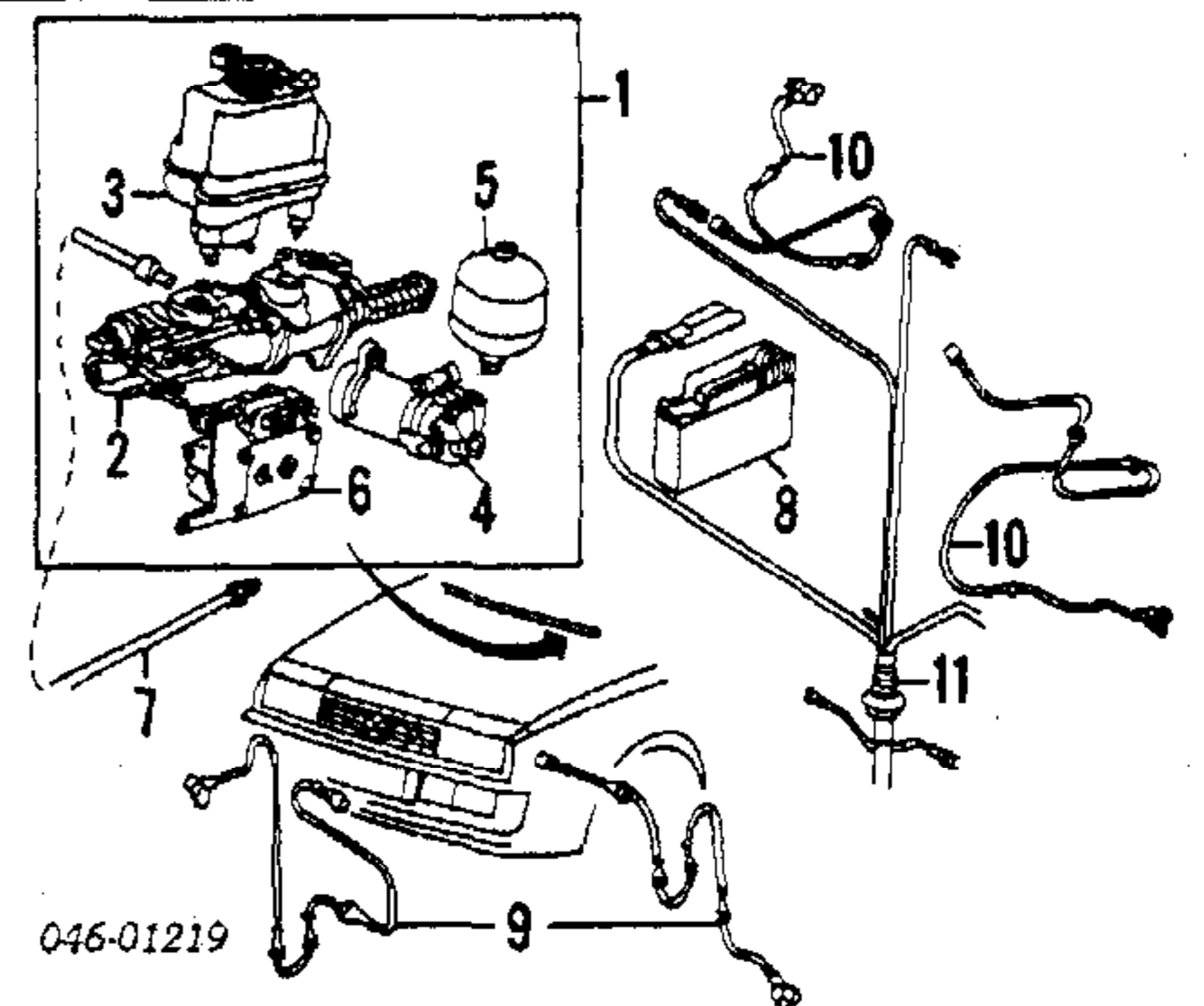
046-01922

1 Module, Driver Air Bag	1H0 898 203	m #.5	850.00
#Included in R&R Steering Wheel			
2 Spring, Spiral	1H0 959 653 E	m	230.95
¶Included w/Steering Wheel Assy listed in Steering Wheel/Column Section			
3 Module, Pass Air Bag	1HM 880 204	m #.8	743.00
4 Cover, Module	535 880 261 4FB	m #.8	N.A.
#R&R Complete			
5 Bracket, Module	535 880 216	m	N.A.
6 Control Unit			
Driver Side	6N0 909 601 R	m 1.0	N.A.
Driver & Passenger Side	6N0 909 603 C	m 1.0	434.50
7 Brkt, Control Unit	1HM 959 657	m	8.55

ABS/BRAKES

Bleed System	m .4
--------------	------

NOTE: R&R Does Not include bleed system.



046-01219

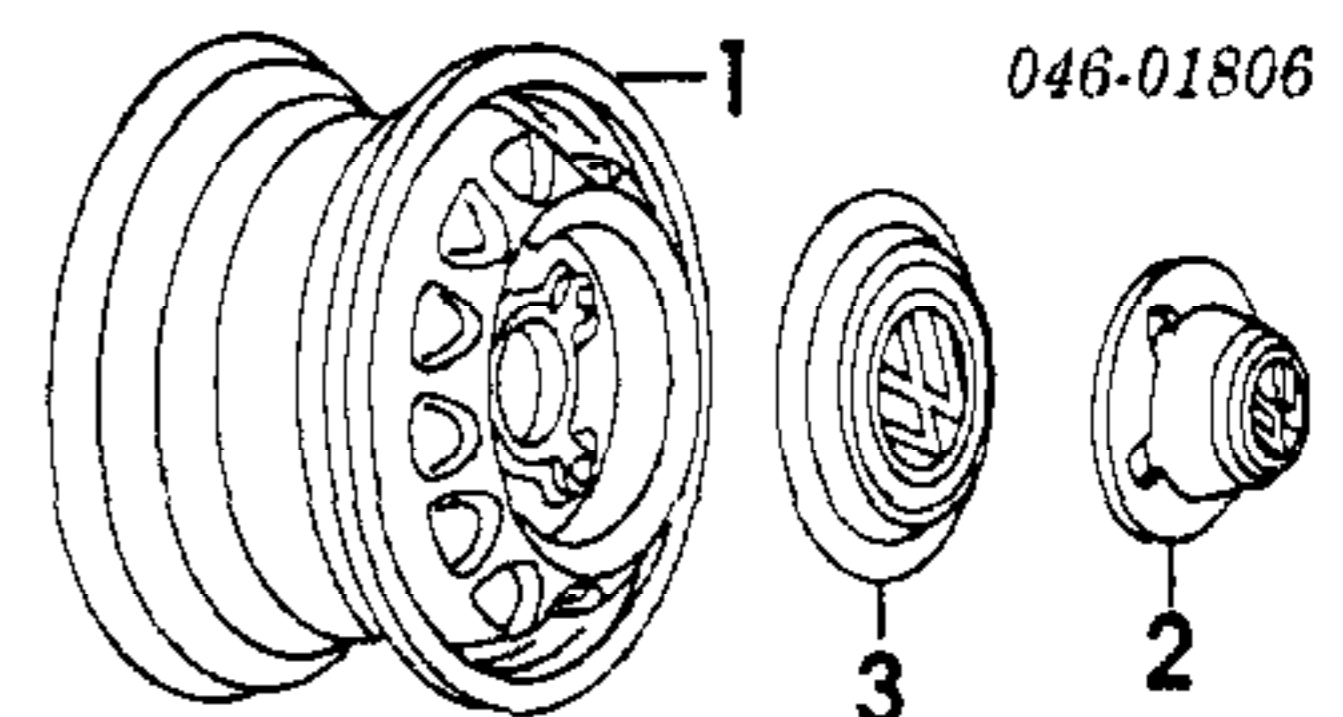
1 Hydro Unit Assy	535 614 111	m #2.2	2905.00
#Includes Bleed System			
2 Cyl Kit, Hydro Unit	535 698 309 A	m	1375.00
3 Reservoir, Hydro Unit	191 698 301 A	m	195.35
4 Pump Unit (a)			
To Ch 50L010485	191 698 305 B	m 1.6	1359.00
(a) Use Plug			
5 Accumulator, Pressure	191 698 304 A	m .8	318.70
6 Repair Kit, Valve	535 698 310 A	m	737.00
¶Included w/Hydro Unit Assy			
Plug	191 614 304	m	49.85
7 Hose, Pressure	191 698 306 A	m	32.95
8 Control Unit, ABS			
w/Traction Cont	535 907 379 F	m .5	846.00
w/o Traction Cont	535 907 379	m .5	695.00
Sensor, ABS Speed			
9 Front	90-91 R/L 191 927 807 A	m .5	154.00
	92-95 R 1J0 927 804	m .5	69.00
	L 1J0 927 803	m .5	69.00
10 Rear	90-91 R/L 191 927 807 B	m .7	154.00
	92-94 R/L 191 927 807 D	m .7	120.00
	95 R/L 1H0 927 807 A	m .7	90.00
11 Harness, ABS (a)	535 971 279 D	m	324.80
(a) Order by Application			

WHEEL

Use Procedure Explanation 10 with the following text.

STEEL WHEEL

Refinish Wheel	.5
Add to R&I Spare Wheel & Tire Assy	.2

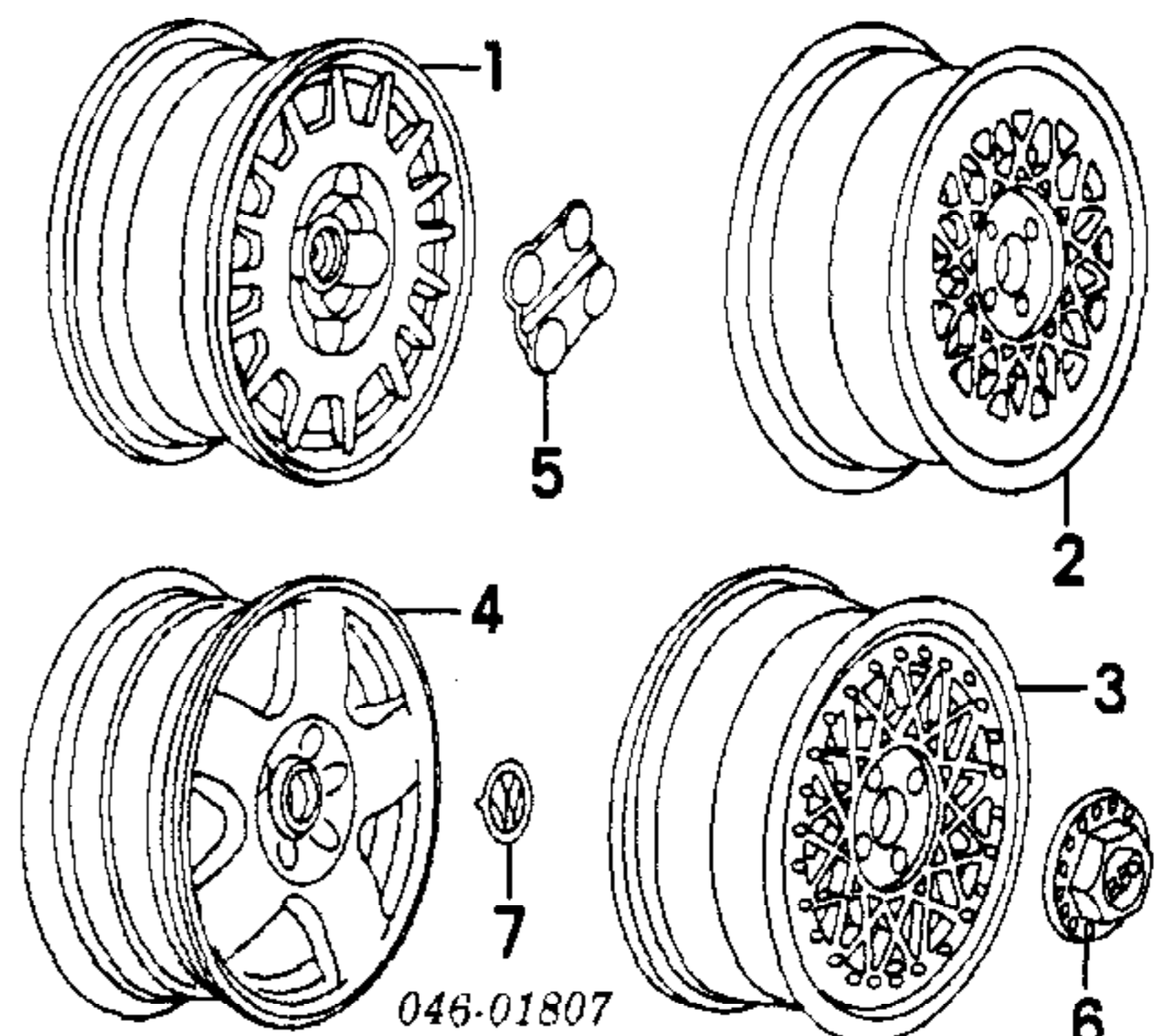


046-01806

1 Wheel				
4 Cyl	357 601 025 M	.3	77.25	
V6				
6x15	1H0 601 025 K 091	.3	77.25	
6.5x15	1H0 601 025 N 091	.3	101.95	
Cap, Hub				
2 4 Cyl	871 601 171		8.70	
3 V6	1H0 601 149 C 091		17.75	
Bolt, Lug				
4 Cyl	3A0 601 139		2.20	
V6	8D0 601 139 D		4.95	
Stem, Valve				
	281 601 361		1.10	

ALUMINUM WHEEL

Add to R&I Spare Wheel & Tire Assy	.2
------------------------------------	----



046-01807

Wheel, Aluminum			
1 Style 1			
6x15	535 601 025 F 091	.3	270.50

2	Style 2 6.5x15 USA 4 Cyl V6	191 601 025 AE 091 1H0 601 025 G 091 N.A.	.3 .3 .3	358.60 358.60 N.A.
3	Canada			
4	Style 3 6.5x15 Wheel, Spare 3.5x15 Cap, Hub	535 601 025 D Z31 535 601 025 A	.3	352.65 113.55
5	Style 1	535 601 149 091		17.75
6	Style 2 USA 4 Cyl V6 Canada	191 601 149 K AEV 1H0 601 149 G AEV N.A.		32.80 23.25 N.A.
7	Style 3 Bolt, Lug Stem, Valve Rubber Metal	321 601 171 C 3A0 601 139 281 601 361 191 601 379		3.75 2.20 1.10 18.05

FRONT SUSPENSION

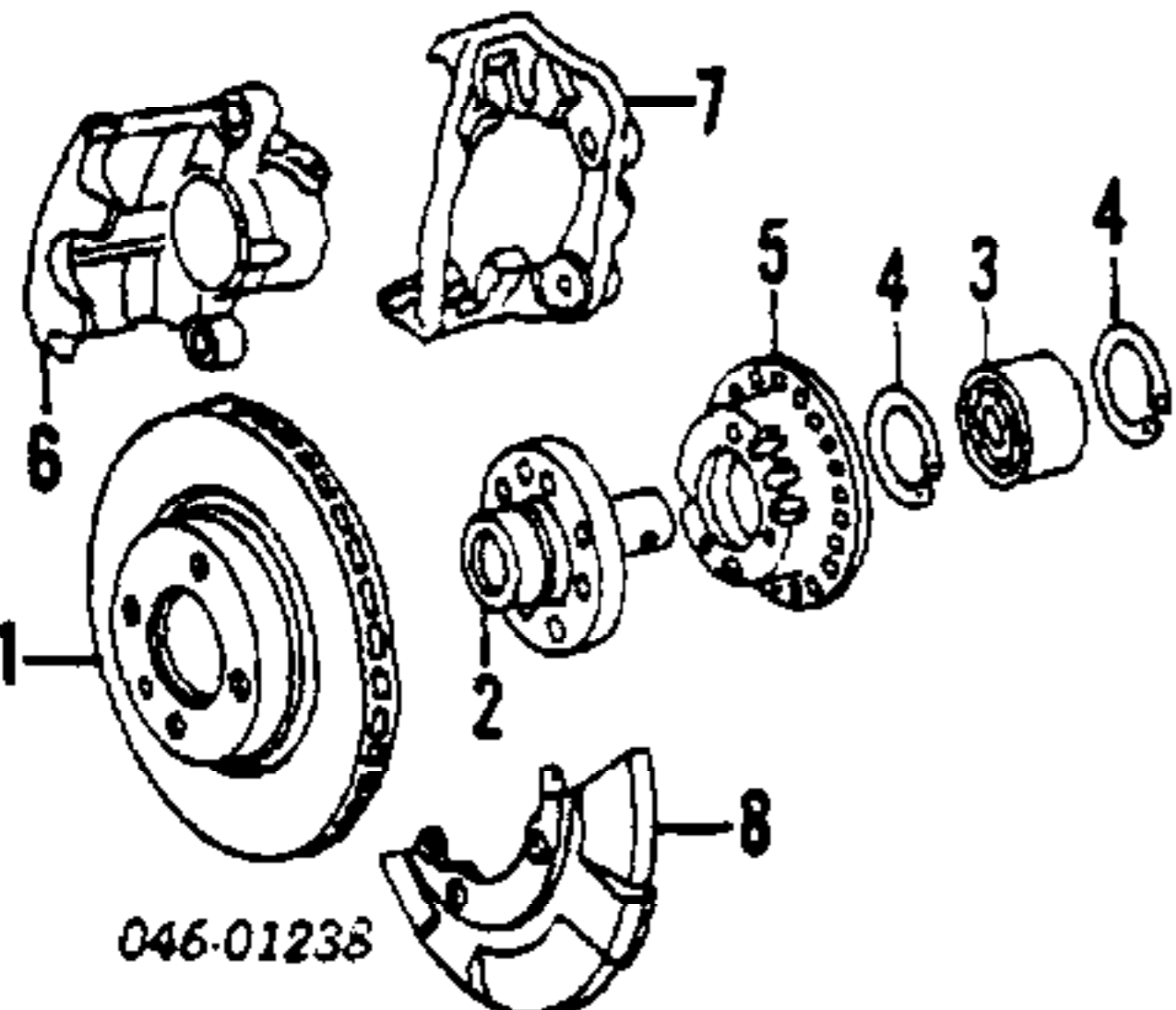
Use Procedure Explanation 11 with the following text.

R&I Suspension (One Side)	Rm	3.1
	Lm	2.6
O/H Suspension (Includes R&I)		
One Side	Rm	4.1
	Lm	3.6
Both Sides	m	7.5
Adjust Front Alignment	m	1.8
Bleed Brake System		
w/ABS	m	.4
w/o ABS	m	.3

NOTE 1: R&I/R&R or O/H Does Not include alignment or bleed brake system.

NOTE 2: Refer to Special Cautions Section at the beginning of this vehicle text.

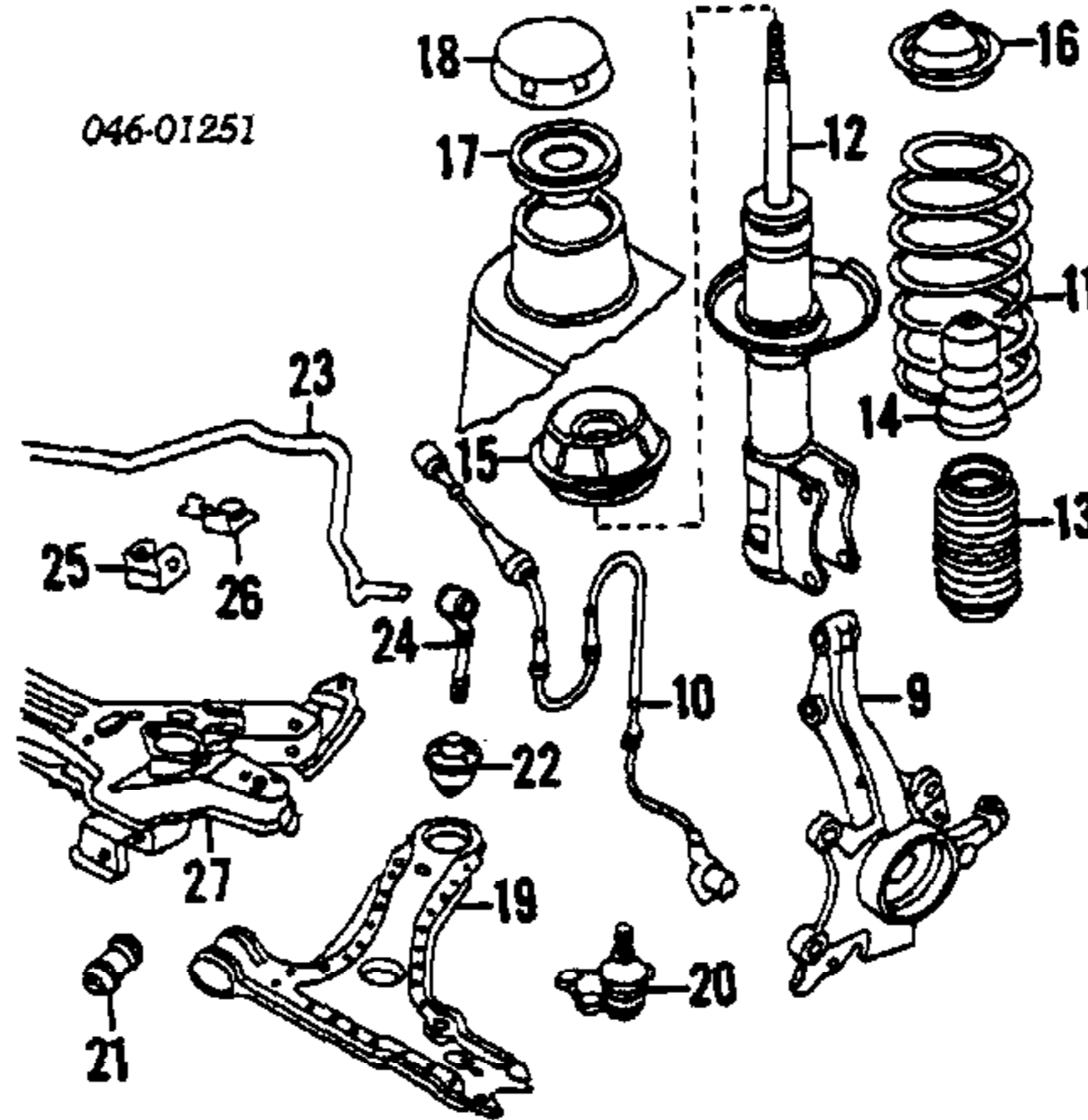
NOTE 3: All Parts in this section are included in overhaul unless noted otherwise.



1	Rotor, Brake 4 Cyl V6	R/L 535 615 301 R/L 3A0 615 301	m #.6 m #.6	108.85 d145.20
#R&R Both 1.0				
2	Hub, Wheel 4 Cyl w/ABS w/o ABS V6	R/L 357 407 613 B R/L 357 407 615 R/L 1H0 407 613 B	m #2.2 m #2.2 m #2.2	152.60 95.00 170.25
3	Bearing, Wheel 4 Cyl V6	R/L 357 498 625 B R/L 1H0 498 625	m #2.2 m #2.2	82.00 91.90
#R&R One Side Complete, Both Sides 2.8, Includes R&R Rotor				
4	Ring, Lock	R/L N 903 293 01	m IOH	1.70
5	Rotor, ABS Impulse 4 Cyl V6-Included w/Wheel Hub	R/L 357 614 150	m IOH	6.75
6	Caliper w/o Pads To VIN M-027000	R 443 615 124 FX L 443 615 123 FX	m #.5 m #.5	145.00 145.00
	From VIN M-027001	R 3A0 615 124 L 3A0 615 123	m #.5 m #.5	302.65 302.65
7	Carrier, Caliper To VIN M-027000	R/L 857 615 125	m #.5	152.00
	From VIN M-027001	R/L 4A0 615 125 A	m #.5	184.45
#R&R One Side Complete, w/Brake Rotor Removed .2				
Hose, Brake	90-91 R/L 92-95 R/L	R/L 535 611 701 R/L 1H0 611 701	m #.3 m #.3	52.25 27.10
#w/Caliper Removed .1				
8	Shield, Splash 4 Cyl V6	R/L 357 615 311 A R 3A0 615 312 L 3A0 615 311	m #2.2 m #2.2 m #2.2	13.85 6.50 6.50
#Included in R&R Hub &/or Knuckle				

Illustration Located in Next Column

9	Knuckle, Steering 4 Cyl V6	R 357 407 256 C L 357 407 255 C R 1H0 407 256 L 1H0 407 255	m #2.2 m #2.2 m #2.2 m #2.2	370.65 370.65 355.20 355.20
#Includes R&R Hub & Bearings, Brake Rotor, ABS Impulse Rotor & Shield, R&R Both Sides 4.2				



10	Sensor, ABS Speed-See Antilock Brake System Section			
11	Spring, Coil 4 Cyl w/A/C w/o A/C V6	R/L 191 411 105 ABm R/L 191 411 105 ABm R/L 535 411 105 A	m #1.2 m #1.2 m #1.2	112.15 112.15 164.95
#Order by Application				
12	Strut 4 Cyl V6	R/L 535 413 031 D R/L 535 413 031 C	m #1.2 m #1.2	232.30 237.60
13	Tube, Dust 4 Cyl V6	R/L 357 413 175 R/L 1H0 413 175	m #1.2 m #1.2	9.50 12.30
14	Pad, Stop 4 Cyl V6	R/L 357 412 303 E R/L 357 412 303 F	m #1.2 m #1.2	4.10 16.20
15	Mount, Strut Bushing 4 Cyl V6	R/L 357 412 329 R/L 357 412 331 A	m #1.2 m #1.2	48.25 16.35
16	Seat, Upper 4 Cyl V6	R/L 357 412 341 R/L 1H0 412 341	m #1.2 m #1.2	16.90 17.65
17	Stop 4 Cyl V6	R/L 1H0 412 319 B R/L 357 412 319 B	m #1.2 m #1.2	5.95 6.40
18	Pad, Spring Upper 4 Cyl V6-Not Applicable	R/L 1H0 412 359	m #1.2	1.90
#R&R One Side Complete, Both Sides 2.0 w/Knuckle Removed .6				
19	Arm, Lower Control 4 Cyl V6	R/L 191 407 151 B R 1H0 407 152 L 1H0 407 151 A	m #1.0 m #1.5 m #1.0	90.65 110.00 110.00
#Both Sides 1.8, w/Auto Trans Add .3, w/Knuckle Removed Deduct .6, Includes R&R Bushings				
#R&R Both Sides 2.4, w/Knuckle Removed Deduct .6, w/Auto Trans Add .3				
20	Ball Joint, Lower Arm 4 Cyl V6	R/L 357 407 365 R/L 1H0 407 365 A	m #.6 m #.6	68.40 43.90
#R&R Both Sides 1.0				
21	Bushing, Lower Arm Front 4 Cyl V6-Included w/Lower Control Arm	R/L 357 407 182 R/L 191 407 181 E	m #1.3 m #1.3	13.30 18.40
#R&R One Side Complete				
23	Bar, Stabilizer 4 Cyl V6	191 411 309 C 1H0 411 309 F	m #1.8 m #1.8	160.60 103.95
24	Link, Stabilizer 4 Cyl V6	R/L 191 411 315 A R/L 535 411 315	m #1.8 m #1.8	40.55 40.55
25	Bushing, Stabilizer	R/L 191 411 314	m #1.8	2.70
26	Bracket, Stabilizer	R/L 191 411 334	m #1.8	2.50
#R&R Complete, Not Included in O/H, w/One Lower Arm Removed 1.6, w/Both Lower Arms Removed 1.4				
27	Sub-Frame 4 Cyl Man Trans Auto Trans V6	535 199 315 C 535 199 315 D 535 199 315 E	m #3.8 m #3.8 m #3.8	537.00 537.00 631.00
#Not Included in O/H, Deduct .5 for Each Control Arm Removed				

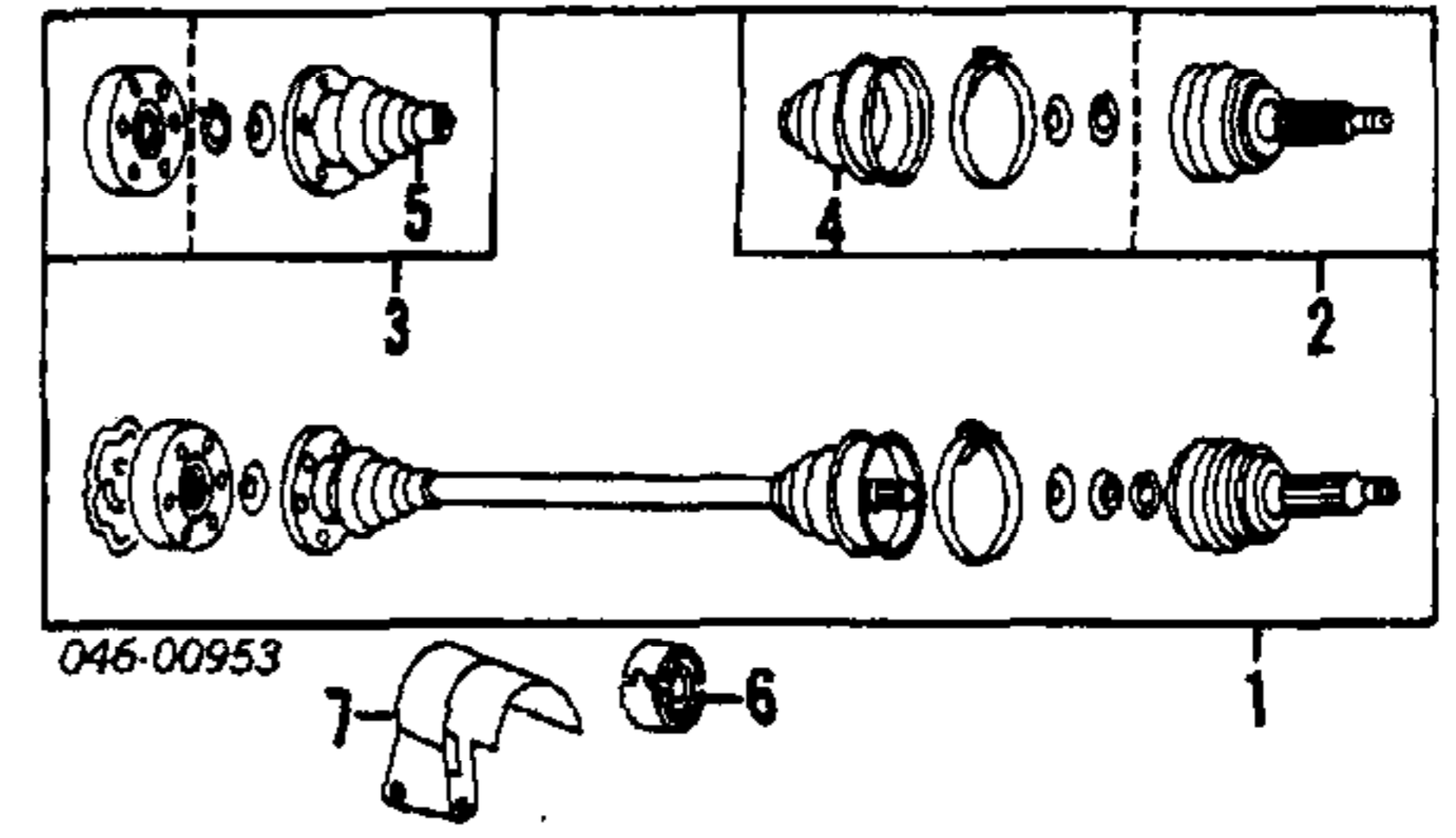
FRONT DRIVE AXLE

R&I Axle Shaft Assy	R/Lm	#1.1
O/H Axle Shaft Assy (Includes R&I)	R/Lm	#2.1
#w/Knuckle Removed Deduct .8		

NOTE: All Parts in this section are included in overhaul unless noted otherwise.

Illustration Located in Next Column

1	Shaft Assy, Axle 4 Cyl	R 191 407 272 BGm L 191 407 271 K	m #1.1 m #1.1	535.00 514.00
---	---------------------------	--------------------------------------	------------------	------------------

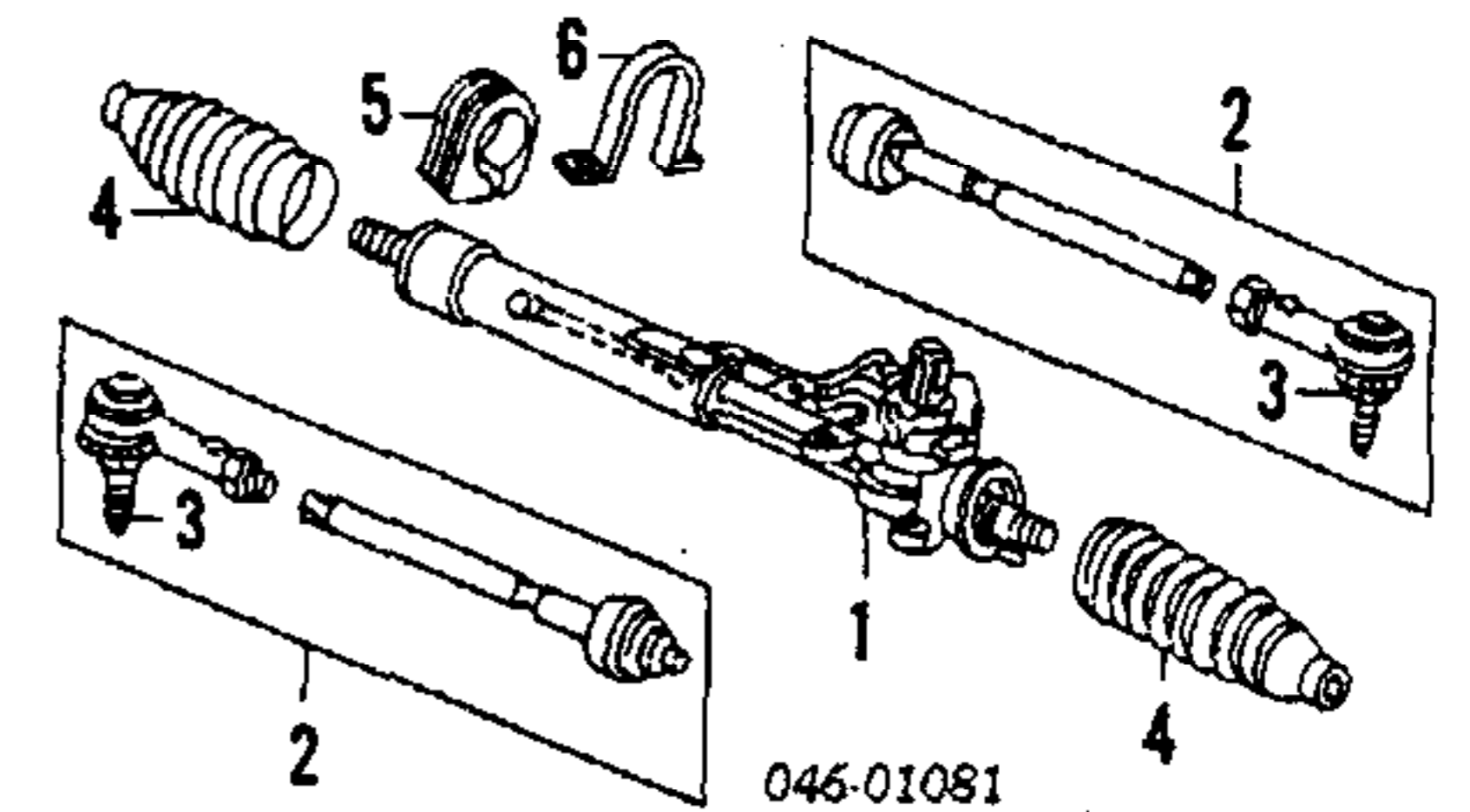


V6	R 1H0 407 272 C L 1H0 407 271 C	m #1.1 m #1.1	535.00 535.00	
#w/Knuckle Removed Deduct .8				
Joint Kit, Constant Velocity				
2	Outer 4 Cyl V6	R/L 191 498 099 B R/L 357 498 099 EX	m #1.8 m #1.8	228.20 178.15
3	Inner	R 321 498 103 C L 191 498 103 C	m #1.8 m #1.8	140.80 175.95
#R&R One Side Complete 2.1, Includes R&I Axle Shaft Assy, w/Knuckle Removed Deduct .8				
Boot Kit (a)				
4	Outer 4 Cyl V6	R/L 191 498 203 R/L 1H0 498 203	m #1.3 m #1.3	22.60 24.90
5	Inner	R 191 498 202 A L 191 498 201 B	m #1.3 m #1.3	34.45 33.45
#Included w/Axle Shaft Assy				
(a) Included w/CV Joint Kit				
#R&R One Side Complete 1.5, w/Knuckle Removed Deduct .8				
6	Weight, Balance	193 407 294 A	m	d107.40
7	Shield	357 407 721 A	m	33.85

FRONT STEERING LINKAGE/GEAR

R&I Steering Gear	m	2.2
Add to R&I or R&R Steering Gear		
w/Auto Trans	m	.2

NOTE: R&I/R&R or O/H Does Not include adjust wheel alignment.



1	Gear, Steering 4 Cyl V6	535 422 061 C	m #2.4	601.00
	TRW Built	535 422 061 B	m #2.4	1001.00
	ZF Built			
	New	1H1 422 061 D	m #2.4	817.00
	Remanufactured	1H1 422 061 DX	m #2.4	530.00
#Remanufactured Part. Contact Dealer for Core Charge & Exchange Information				
#w/Auto Trans Add .2				
2	Rod Assy, Tie 4 Cyl	R 191 422 804 A L 191 422 803 A	m .6 m .6	147.15 115.45
	V6			
	ZF Built	R 1H0 422 804 B L 1H0 422 803 B	m .6 m .6	183.65 154.55
	TRW Built	R 191 422 804 A L 191 422 803 A	m .6 m .6	147.15 115.45
3	End, Tie Rod	R 191 419 812 L 191 419 811	m .3 m .3	40.90 40.90
#Included w/Tie Rod Assy				
4	Boot, Tie Rod 4 Cyl V6	R/L 191 422 831	m .6	30.85
	ZF Built	R/L 357 422 831 B	m .6	32.50
	TRW Built	R/L 191 422 831	m .6	30.85
5	Mount, Rubber 4 Cyl V6	191 422 884	m #.3	7.15
	ZF Built	191 422 884 A	m #.3	7.15
	TRW Built	191 422 884	m #.3	7.15
6	Bracket, Mount 4 Cyl V6	191 419 875	m #.3	3.55
	ZF Built	1H0 422 875 A	m #.3	11.90
	TRW Built	191 419 875	m #.3	3.55
#R&R Complete				

STEERING PUMP

Pump, Steering 4 Cyl V6	037 145 157 6N0 145 157	m 1.6 m 1.6	d228.40 324.00
Pulley, Pump 4 Cyl			
To VIN M-005659	027 145 255	m .4	9.10
From VIN M-005660	051 145 255	m .4	22.60
V6	021 145 255 A	m .4	10.75

VW CORRADO 1990-95

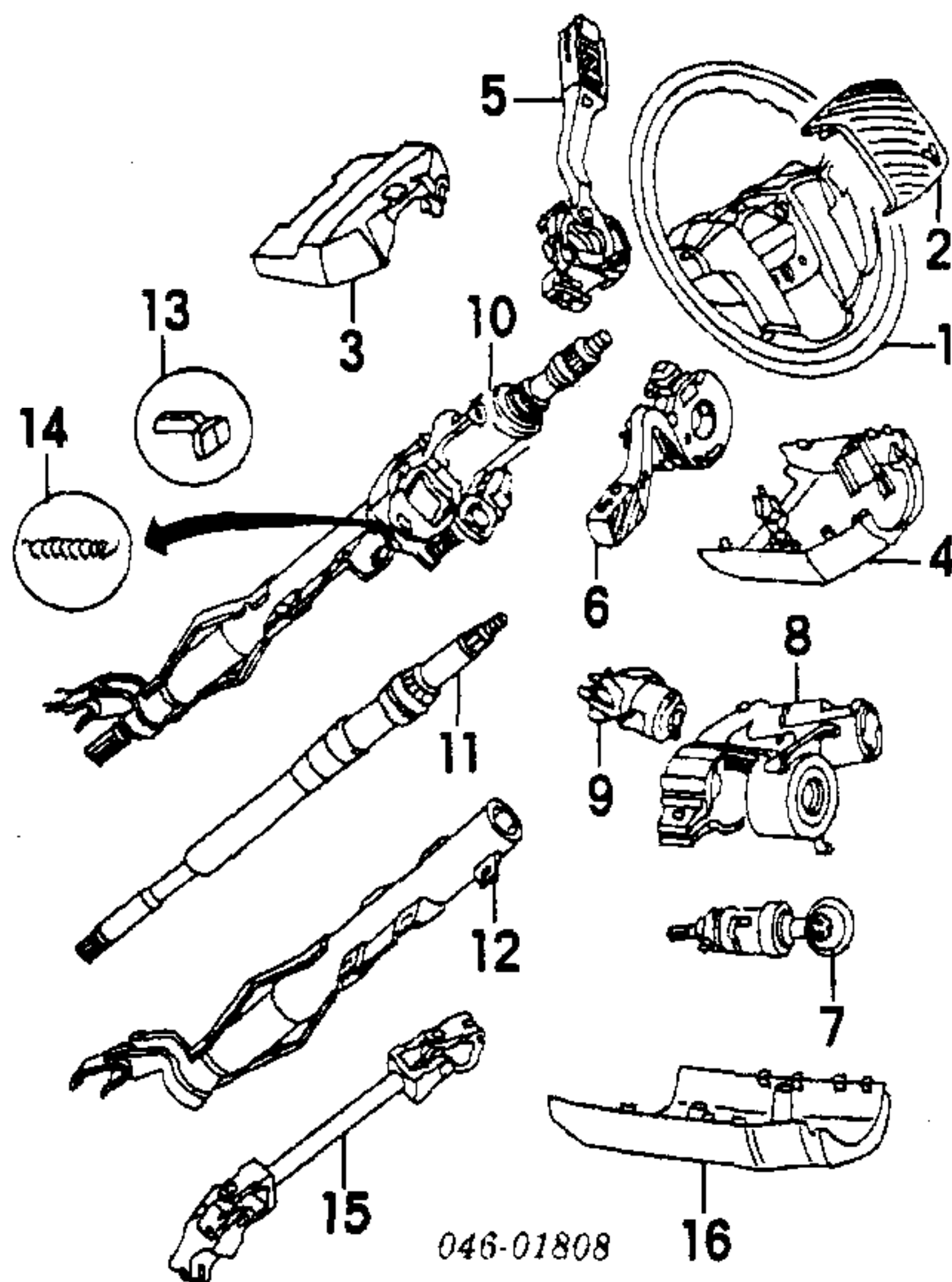
STEERING PUMP Cont'd

Belt, Drive				
4 Cyl	068 903 137 Q	.8		18.90
V6	021 145 933 C	.8		51.15
Bracket, Pump				
4 Cyl				
Front	037 145 521	m .3		42.25
Rear	037 145 531 B	m .4		35.65
V6	021 260 087	m		122.80
Support, Upper				
4 Cyl	037 145 544	m .2		30.00
Reservoir, Fluid				
4 Cyl	191 422 371 B	m .5		39.40
Bracket, Reservoir				
4 Cyl	535 422 847	m		10.60
V6	535 422 847 B	m		10.60
Hose, Pressure				
4 Cyl	191 422 893	m 1.0		116.15
V6				
To VIN P-002000	535 422 893	m 1.0		300.00
From VIN P-002001	535 422 893 B	m 1.0		288.40
Hose, Return				
4 Cyl	535 422 891	m .8		55.70
V6	535 422 891 D	m .8		124.55
Pipe, Cooling				
4 Cyl	535 422 896 A	m .6		95.00
V6	535 422 896 B	m .6		95.00
Hose, Suction				
Front				
4 Cyl	191 422 887	m .4		48.90
V6	535 422 887	m .4		78.80
Rear				
4 Cyl	535 422 889 A	m .4		57.35
V6	535 422 889 B	m .4		57.35
Hose, Reservoir				
4 Cyl	535 422 888 A	m .8		38.50
V6	535 422 888 B	m .8		50.90

STEERING WHEEL/COLUMN

R&I Steering Column	m 1.8
O/H Steering Column (Includes R&I)	m 3.5
Add to R&I/R&R or O/H Steering Column	
w/Air Bag	m .5

NOTE: All Parts in this section are included in overhaul unless noted otherwise.



1 Wheel Assy, Steering				
w/Air Bag	1HM 419 091 M 1BX	m .8		509.00
w/o Air Bag				
USA	357 419 091 J 1BX	m .3		631.00
Canada				
4 Cyl				
Standard	N.A.	m .3		N.A.
Leather Wrap	N.A.	m .3		N.A.
V6	N.A.	m .3		N.A.
Spring, Spiral-See Air Bag System Section				
Ring, Slip/Cancelling				
w/o Air Bag				
USA	321 419 660	m		23.85
Canada				
4 Cyl	N.A.	m		N.A.
V6	N.A.	m		N.A.
¶Included w/Steering Wheel Assy				
Module, Driver Air Bag-See Air Bag System Section				
2 Pad, Horn				
w/Air Bag	1HM 419 097	m		45.90
w/o Air Bag				
USA	357 419 669 B 01Cm	.2		38.45
Canada				
4 Cyl	N.A.	m .2		N.A.
V6	N.A.	m .2		N.A.
Cover, Column				
3 Upper	535 953 515 A 01Cm	#.4		28.10
4 Lower	535 953 516 A 01Cm	#.4		18.40

#R&R Complete				
Switch/Lever, Combination				
5 Wiper/Washer, Cruise	535 953 519 A 01Cm	.8		113.70
6 Signal/Dimmer	535 953 513 B 01Cm	.8		145.75
7 Cylinder, Ignition Lock	357 905 855 B	m #1.1		35.00
#Does Not Include Recode				
8 Housing, Lock				
w/Tilt	535 905 851	m 1.8		60.20
w/o Tilt	357 905 851 D	m 1.8		58.65
9 Switch, Ignition				
6N0 905 865	m 1.8			24.55
10 Shaft, Steering				
w/Tilt				
w/Air Bag	535 419 503 G	m 3.5		685.00
w/o Air Bag				
Man Trans	535 419 503 E	m 3.5		685.00
Auto Trans	535 419 503 F	m 3.5		685.00
90-94	535 419 503 B	m 3.5		N.A.
95	535 419 503 H	m 3.5		N.A.
535 419 563	m 3.5			25.05
535 419 621	m			73.85
12 Tube, Column				
13 Lever, Tilt				
14 Spring, Tension				
w/Tilt	171 609 715	m		.73
15 Shaft, Lower				
4 Cyl	535 419 951 A	m 1.1		283.80
V6	535 419 951 C	m 1.1		141.30
16 Plate, Protective				
w/Air Bag	535 419 559 A	m		N.A.
w/o Air Bag	535 419 559	m		14.10

ENGINE

Use Procedure Explanation 12 with the following text.

4 CYLINDER

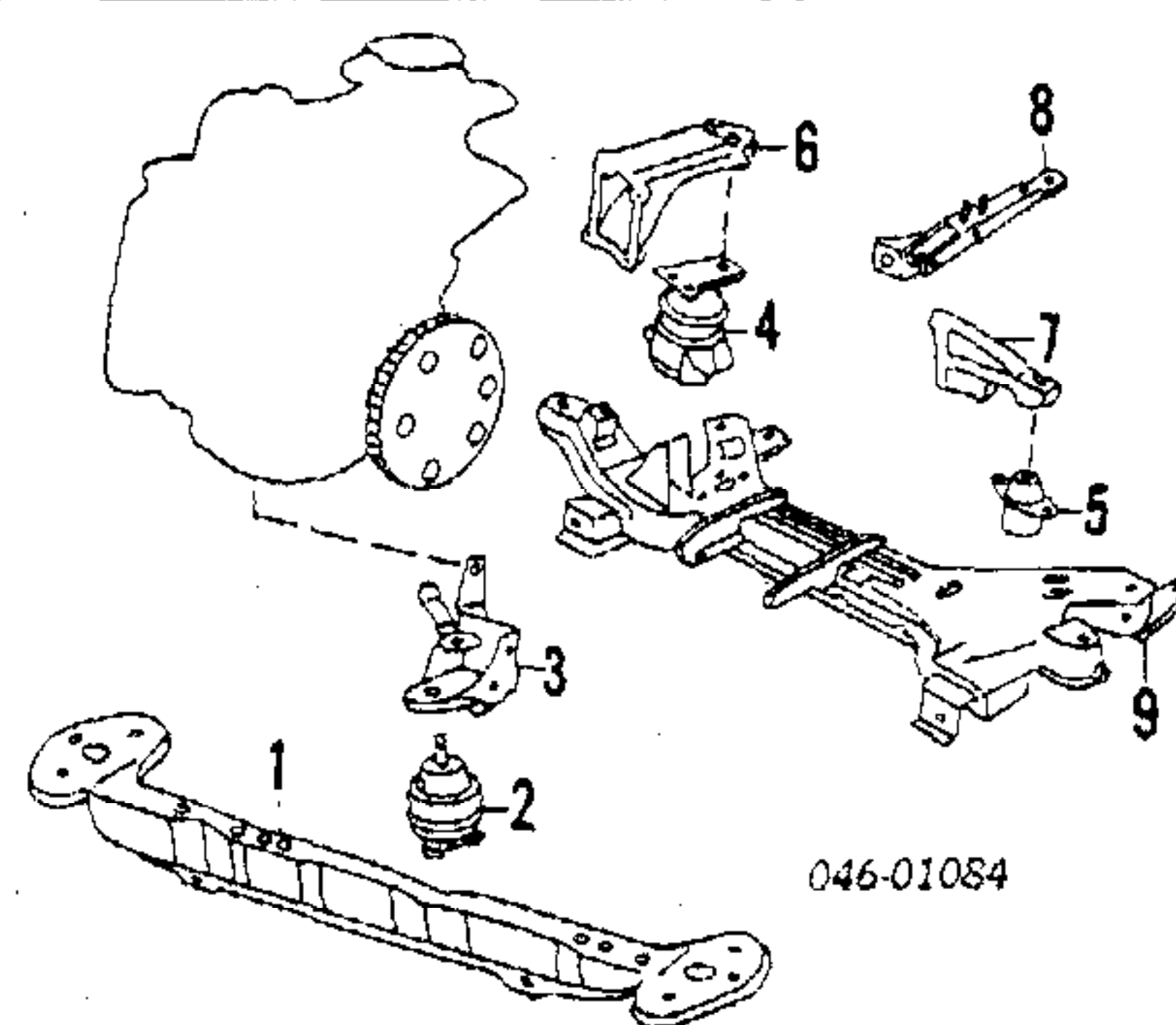
R&I Engine Assy	m 7.9
Pulley, Crankshaft	037 105 255 m 1.0 80.10
Damper, Vibration	037 105 243 m 1.0 364.20
Cover, Timing	
Upper	026 109 107 B m .5 20.00
Lower	026 109 175 A m #1.1 14.05
#Includes R&I/R&R Upper Cover	
Belt, Timing	056 109 119 A m 1.8 15.95
Pan, Eng Oil	049 103 601 m #1.3 39.00
Gasket, Eng Oil Pan	028 103 609 A m #1.3 23.40
#R&R Complete	
Pump, Fuel-See Fuel Tank Section	

V6

R&I Engine/Transaxle Assy	m 9.4
Pulley, Damper	021 105 243 D m 1.0 364.20
Cover, Timing	
Upper	021 109 125 A m #5.5 202.00
Lower	021 103 173 D m #5.5 119.65
#R&R Complete, Includes R&I Transaxle Assy, w/Man Trans Add 1.5	
Chain, Timing	
Upper	021 109 503 m #6.7 d163.15
Lower	021 109 465 B m #6.7 48.25
#R&R Complete, Includes R&I Transaxle Assy & R&R Upper & Lower Timing Covers, w/Man Trans Add 1.5	
Pan, Eng Oil	021 103 601 B m #1.4 97.35
Gasket, Eng Oil Pan	021 103 609 B m #1.4 49.20
#R&R Complete	
Pump, Fuel-See Fuel Tank Section	

ENGINE MOUNTS

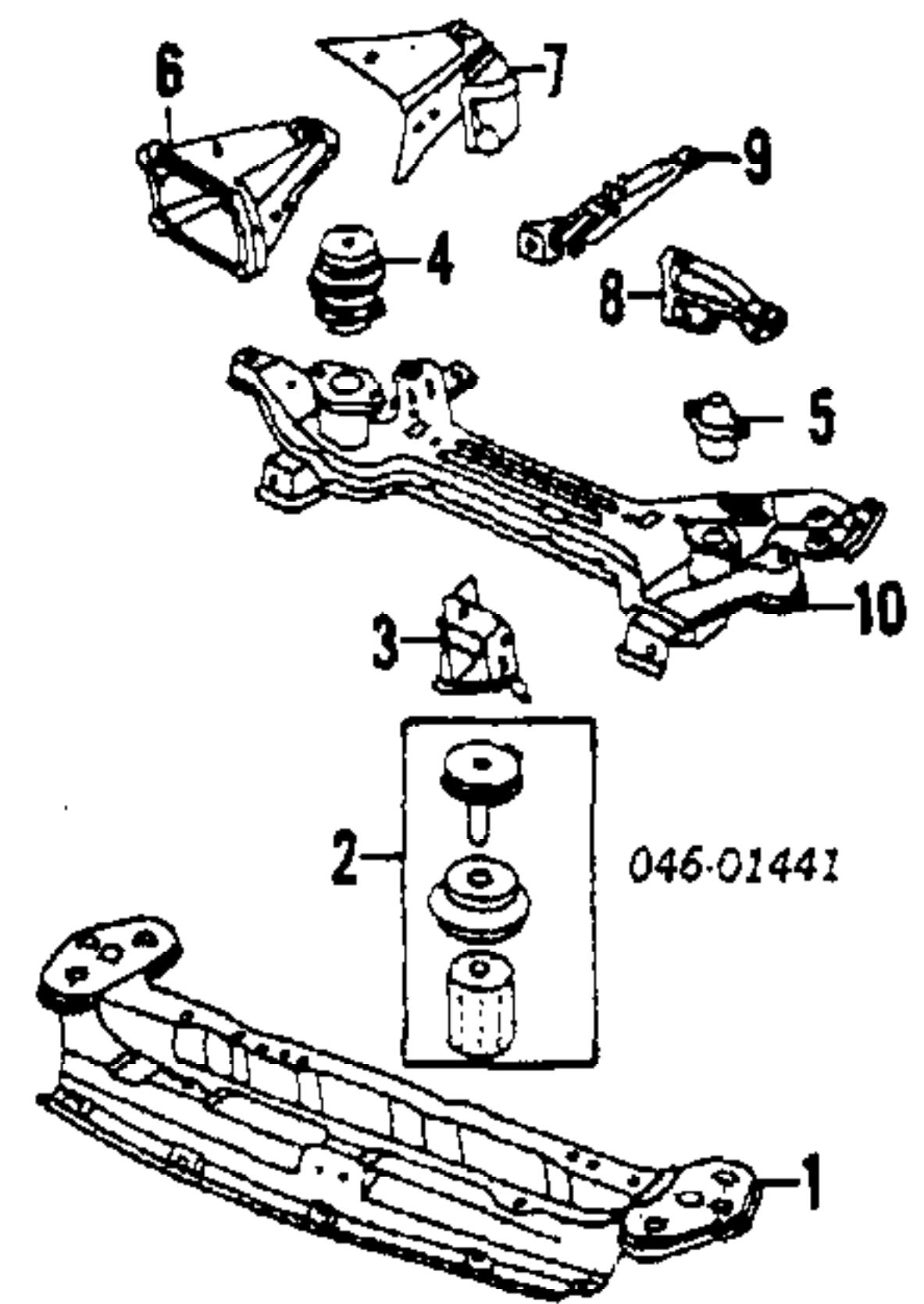
4 CYLINDER



1 Crossmember-See Sub-Frame Section				
2 Mount, Front	357 199 279 B	#.2		140.00
#w/Bracket Removed				
3 Bracket, Front Mount				
Man Trans	357 199 273	1.1		66.65
Auto Trans	357 199 273 A	1.1		66.65
Mount, Rear				
4 Right	535 199 262	#.2		175.00
5 Left	357 199 381 C	#.2		20.55
#w/Bracket Removed				
Bracket, Mount				
6 Right				
Man Trans	535 199 354 C	1.1		93.65
Auto Trans	535 199 354 B	1.1		83.85
7 Left				
Man Trans	357 199 353 A	1.1		33.35
Auto Trans	1HM 199 353 A	1.1		52.85

8 Support, Trans				
Man Trans	357 199 356	.7		22.60
9 Sub-Frame-See Front Suspension Section				

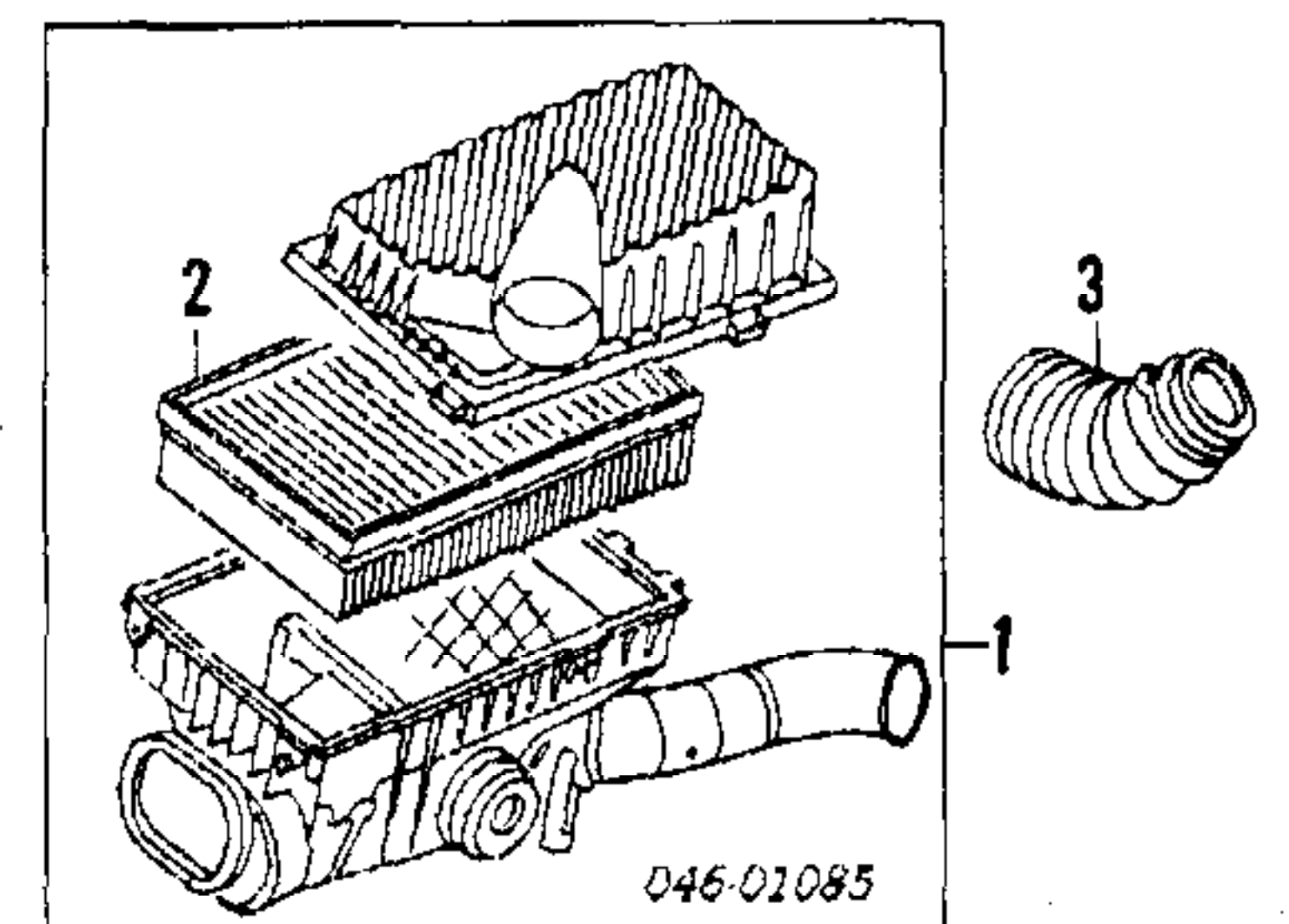
V6



1 Crossmember-See Sub-Frame Section				
2 Mount, Front				
To VIN R-003000	1H0 199 609 K	#.2		62.25
From VIN R-003001	1H0 199 609 K	#.2		62.25
#w/Bracket Removed				
3 Bracket, Front Mount				
Man Trans	1H0 199 273 D	1.1		66.65
Auto Trans	357 199 273 C	1.1		66.65
Mount, Rear				
4 Right	1H0 199 262 K	#.2		79.25
5 Left	3A0 199 402	#.2		87.90
#w/Bracket Removed				
6 Bracket, Right Mount				
Man Trans	1HM 199 354 B	1.1		36.40
Auto Trans	357 199 354 K	1.1		65.20
7 Shield, Bracket	1H0 199 456			26.95
8 Bracket, Left Mount				
Man Trans	357 199 353 A	1.1		33.35
Auto Trans	1HM 199 353 A	1.1		52.85
9 Support, Trans	357 199 356	.7		22.60
10 Sub-Frame-See Front Suspension Section				

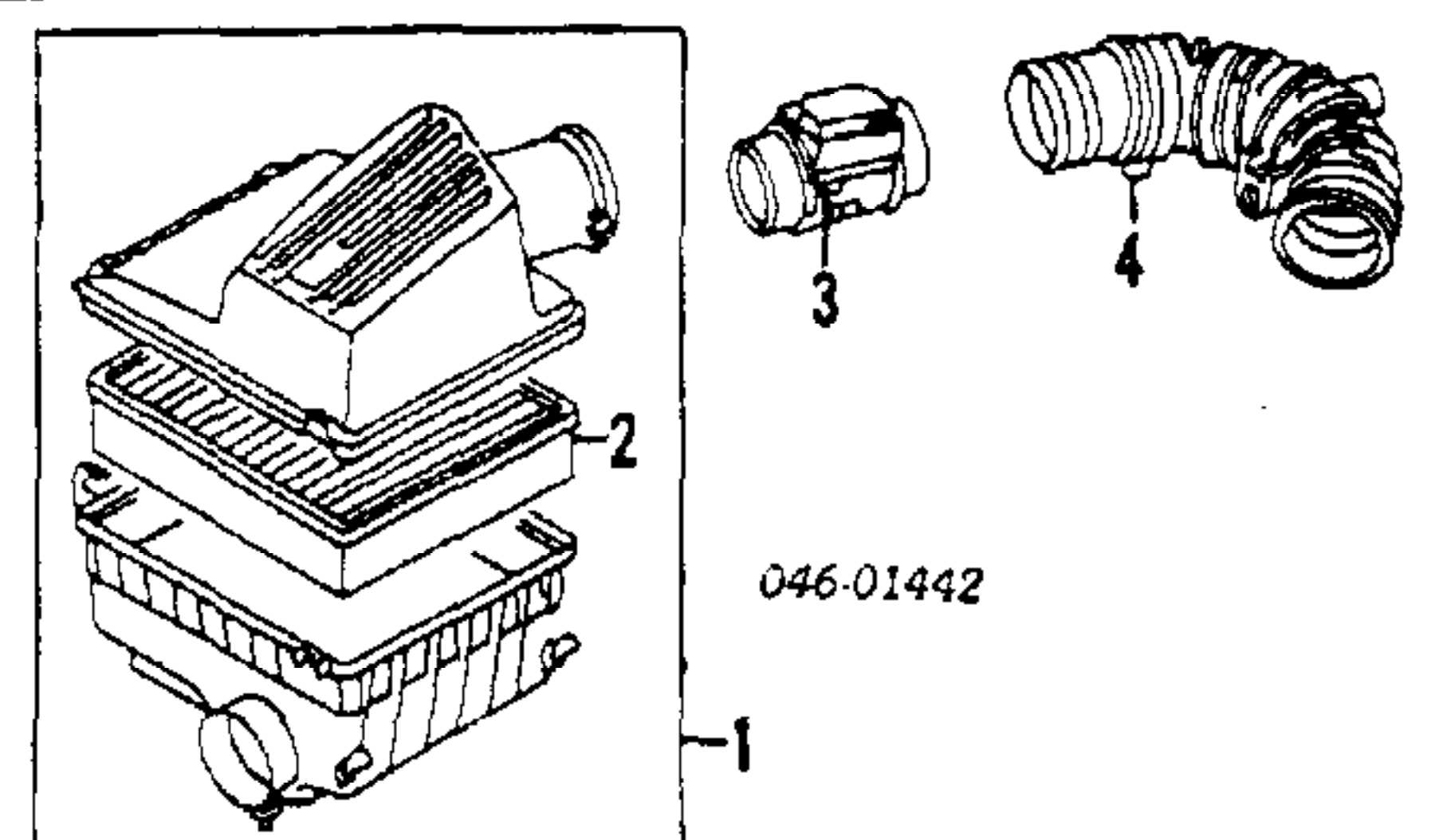
AIR CLEANER

4 CYLINDER



1 Cleaner Assy, Air	535 129 607 J	.6		259.30
2 Element, Cleaner	191 129 620 DSF	.3		20.60
¶Included w/Air Cleaner Assy				
3 Hose, Air Intake	191 129 623	.2		57.85

V6



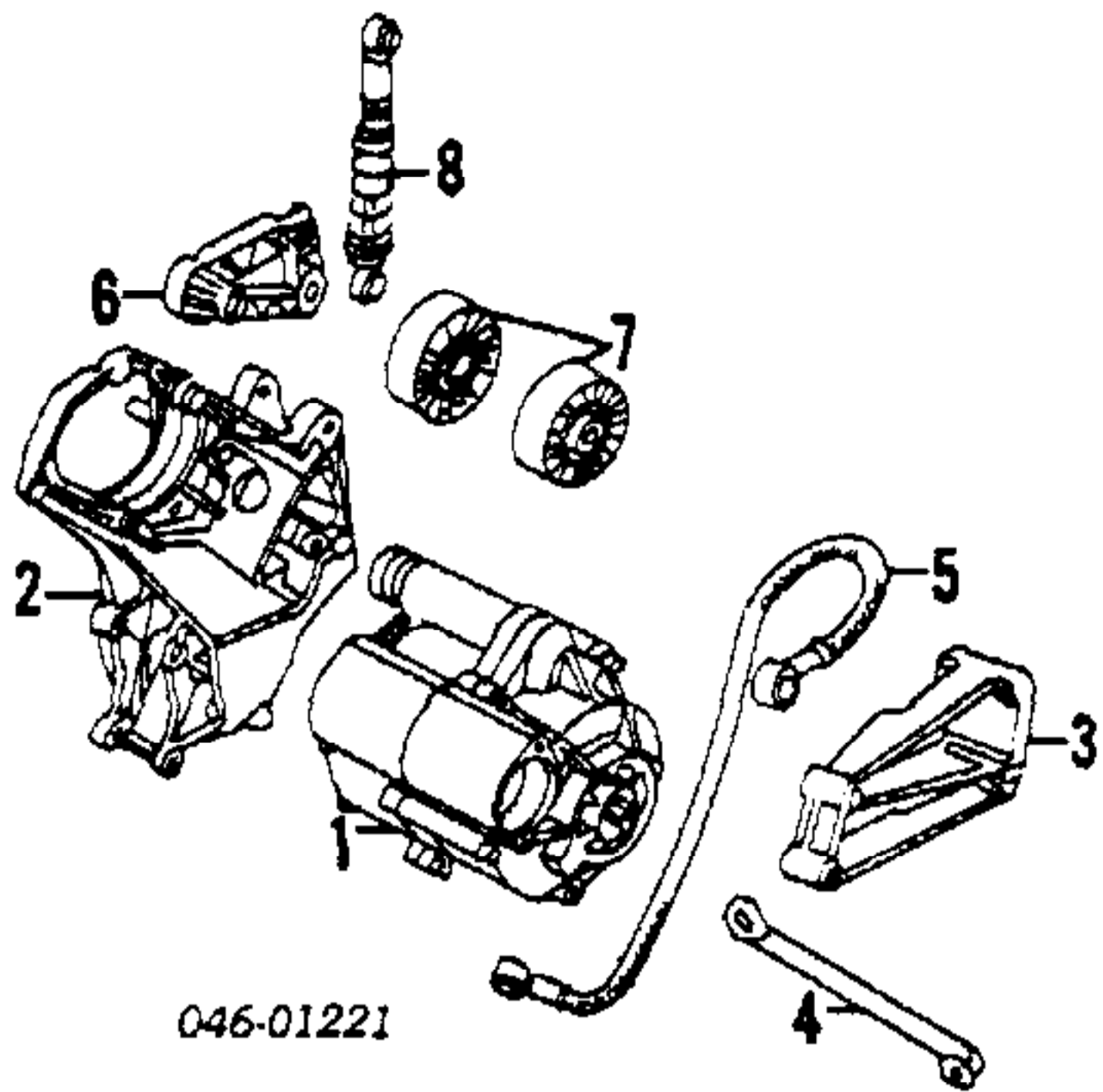
1 Cleaner Assy, Air				
To Eng 080000	535 129 607 F	.6		249.15
From Eng 080001	535 129 607 G	.6		265.25
2 Element, Cleaner	191 129 620 DSF	.3		20.60
¶Included w/Air Cleaner Assy				
3 Meter, Air Flow	021 906 461	m .6		450.00
4 Hose, Air Intake	3A0 129 615 B	.2		183.70

EXHAUST

Manifold, Exhaust				
4 Cyl	037 253 031 AM	m 2.0		463.30
V6				
Cyl 1-3	021 253 031 C	m #2.9		210.35
Cyl 4-6	021 253 032 E	m #2.9		250.85
#R&R Both Complete				

Pipe, Front Exhaust				
4 Cyl	535 253 091	1.2	566.00	
V6	357 253 087 A	1.2	628.00	
Converter, Catalytic				
4 Cyl				
To VIN N-001660				
New	535 131 701 EX	.8	865.00	
Remanufactured¶	535 131 701 EX	.8	865.00	
From VIN N-001661	535 131 701 HX	.8	978.00	
V6	535 131 701 HX	.8	978.00	
¶Remanufactured Part. Contact Dealer for Core Charge & Exchange Information				
Muffler, Front				
4 Cyl				
To VIN M-018000	535 253 409	.6	459.80	
From VIN M-018001	535 253 409 D	.6	590.00	
V6	535 253 209	.6	212.60	
Muffler, Rear				
4 Cyl				
To VIN M-021000	535 253 609 L	.6	459.80	
From VIN M-021001	535 253 609 M	.6	459.80	
V6	535 253 399	.6	530.00	

SUPERCHARGER



1 Supercharger				
4 Cyl	037 145 401 C	m	1.4	2232.00
2 Support, Supercharger	037 145 491 A	m	2.4	356.00
3 Bracket, Front	037 145 493 A	m	2.4	163.55
4 Brace, Lower	037 145 535	m		21.30
5 Hose, Pressure	052 145 443	m	.3	32.25
6 Clamp	037 145 277 A	m		68.35
7 Roller, Relay (2)	R/L 074 145 278 E	m		44.60
8 Damper, Belt Tension	037 145 299	m		173.80
Belt, Ribbed	037 145 933 C	m	.8	71.70
Pulley, Belt	037 145 929 B	m		68.35

EMISSION SYSTEM

Canister, Vapor	175 201 801 A	m	.5	61.80
Valve, Cut-off				
4 Cyl	037 133 517 B	m	.5	41.00
Valve, EGR				
V6	021 131 503 A	m	.6	565.00

ELECTRICAL

NOTE: Refer to Special Cautions Section at the beginning of this vehicle text.

ALTERNATOR

Alternator				
4 Cyl				
New	037 903 018 A	m	1.0	556.00
Remanufactured¶	037 903 018 AX	m	1.0	396.55
V6				
90 Amp				
New	028 903 018 A	m	2.7	704.00
Remanufactured¶	028 903 018 A	m	2.7	704.00
120 Amp¶	028 903 025 RX	m	2.7	470.00
¶Remanufactured Part. Contact Dealer for Core Charge & Exchange Information				
Pulley, Alternator				
4 Cyl	037 903 119	m	#.5	54.10
V6	021 903 119 D	m	#.5	42.85
Fan, Pulley				
4 Cyl	068 903 171 A	m	#.5	21.10
#R&R Complete				
Cap, Alternator				
4 Cyl	191 903 091 D	m		21.70
V6	028 903 193 E	m		31.30
Bracket, Mtg				
4 Cyl	037 903 245	m	#.5	119.70
V6	021 260 087	m	#.5	122.80
#w/Alternator Removed				
Damper, Belt Tension				
4 Cyl	037 145 299	m	.6	173.80
V6	021 145 299 C	m	.6	171.40
Belt, Drive				
4 Cyl	037 145 933 C		.5	71.70
V6	021 145 933 C		.5	51.15

BATTERY

Battery				
Std	191 915 105 Q		.2	102.75
Maintenance Free	191 915 105 Q		.2	102.75

Cable, Battery Positive				
To VIN P-003300	357 971 228 C	.6	48.15	
From VIN P-003301	535 971 228	.6	49.15	
Cable, Battery Negative	357 971 235 C	.4	80.10	

HORN

Horn Assy				
High Note				
To VIN L-035000	171 951 223	.3	47.70	
From VIN L-035001	3B0 951 223	.3	70.00	
Low Note				
To VIN L-035000	893 951 221	.3	47.70	
From VIN L-035001	3B0 951 221	.3	70.00	
Bracket, Horn	R/L 191 951 227			2.90

IGNITION/FUEL

Cap, Distributor				
4 Cyl				
To VIN L-012000	030 905 207	m	.3	10.70
From VIN L-012001	051 905 207	m	.3	25.10
V6	021 905 207	m	.3	50.70
Module, Main Computer¶ (a)	037 906 022 EH	m	1.0	728.00
¶Order by Application				
(a) Located at Right Side of Dash				
Coil, Ignition				
4 Cyl				
w/o Calif Emissions	211 905 115 D	m	.5	75.50
w/Calif Emissions	6N0 905 104	m	.5	173.70
V6	357 905 105	m	.5	168.45

STARTER

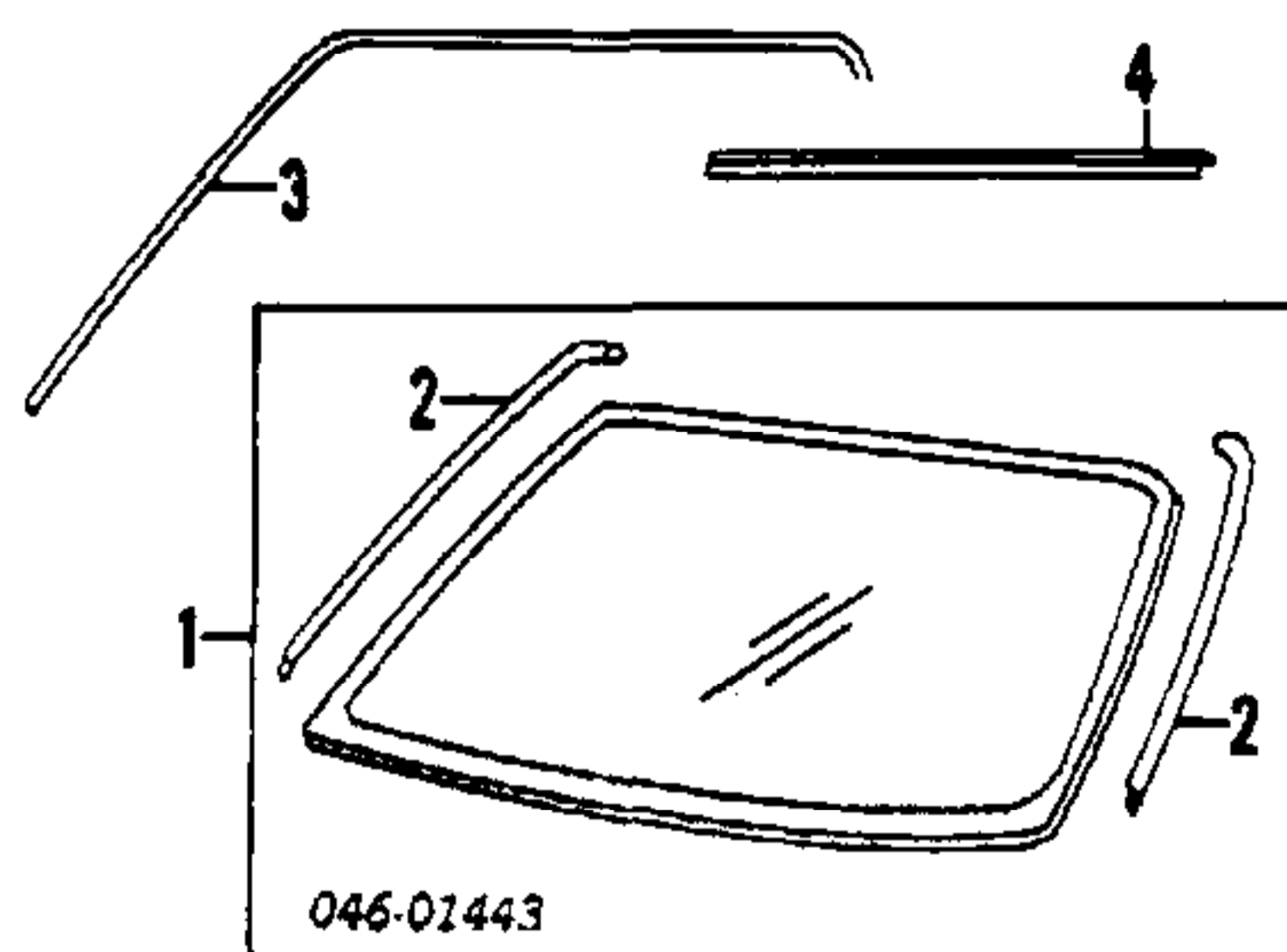
Starter				
4 Cyl				
New				
Man Trans	90-91 02A 911 023 E	m	.9	378.50
	92 02A 911 023 L	m	.9	491.15
Auto Trans	90-91 020 911 023	m	1.5	532.00
	92 020 911 023 FV	m	1.5	200.34
Remanufactured¶				
Man Trans	90-91 02A 911 023 EX	m	.9	284.15
	92-95 02A 911 023 EX	m	.9	284.15
Auto Trans	020 911 023 NX	m	1.5	344.20
V6				
New				
Man Trans	02A 911 023 H	m	.9	456.00
Auto Trans	020 911 023 P	m	.9	426.00
Remanufactured¶				
Man Trans	02A 911 023 HX	m	.9	344.20
Auto Trans	068 911 023 TX	m	.9	283.25
¶Remanufactured Part. Contact Dealer for Core Charge & Exchange Information				

WINDSHIELD

Use Procedure Explanation 13 with the following text.

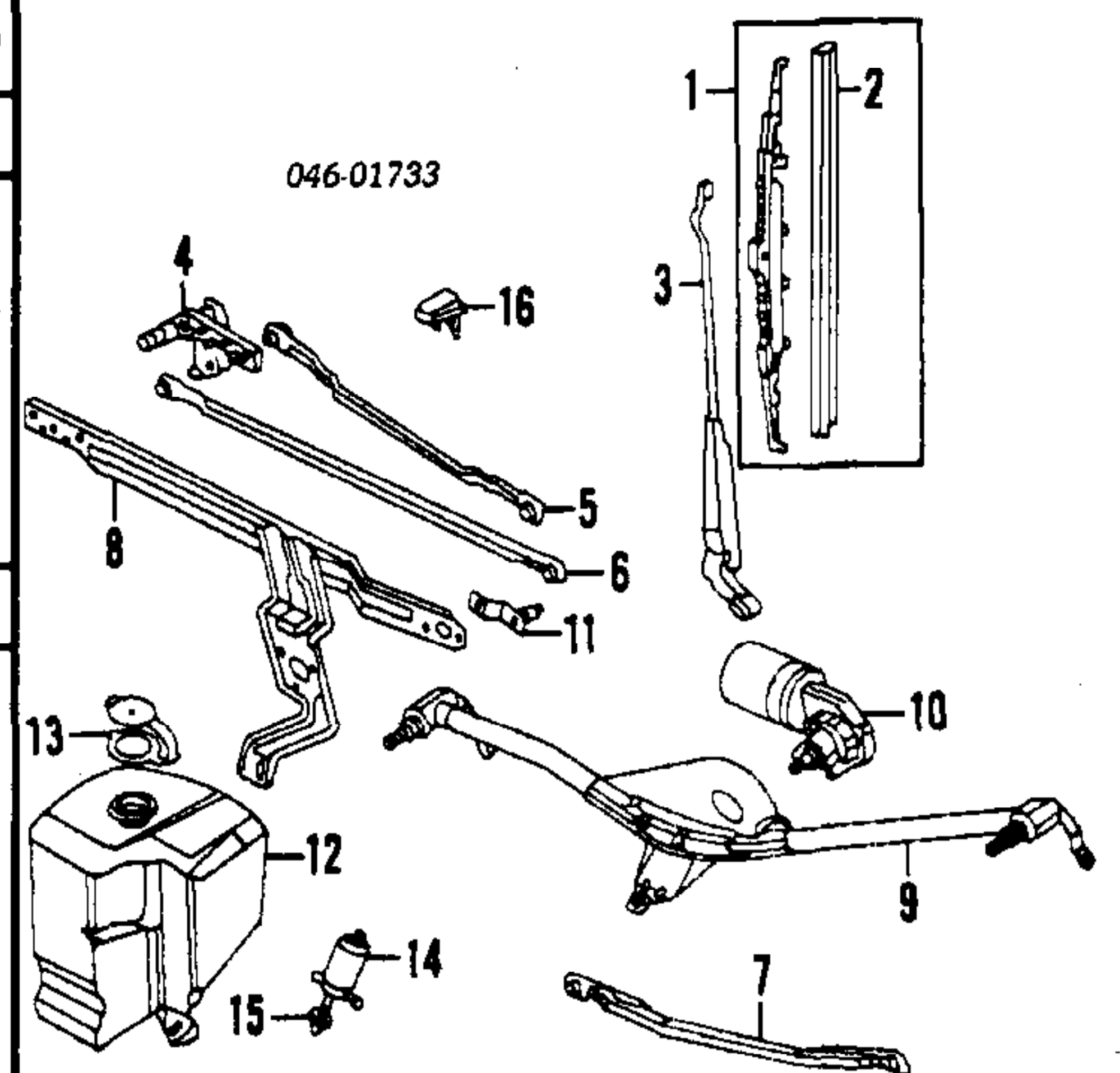
R&L Windshield	#4.0
#Includes Clean Up Old Adhesive as Necessary	

NOTE: Volkswagen recommends when replacing 1985 & up bonded windshields, it is necessary to replace interior beading and exterior moulding.



1 Glass, Windshield				
Volkswagen-Tinted	535 845 011 C	#3.7		298.85
NAGS				
Green	FW00627GTY	#3.7		755.65
Green/Green Shade	FW00627GGY	#3.7		815.75
#Includes Clean Up Old Adhesive as Necessary				
2 Mldg, Reveal¶	R 535 853 306 01C			75.95
	L 535 853 305 01C			75.95
¶Included w/OEM Windshield Glass				
3 Moulding, Rubber	535 845 127 A			20.60
4 Moulding, Upper	535 853 307 A 01C			11.95
Mldg, Inner Garnish (a)	R 535 867 234 A 4FB	.2		146.55
	L 535 867 233 A 4FB	.2		146.55
(a) Black listed, Order by Application				
Trim, Header-See Roof Section				
Mirror, Rear View	535 857 511 01C	.2		78.55
Visor w/Mirror, Sun (b)	R 535 857 552 6FD	.3		132.85
	L 535 857 551 6FD	.3		77.00
(b) Gray listed, Order by Application				

WIPER SYSTEM

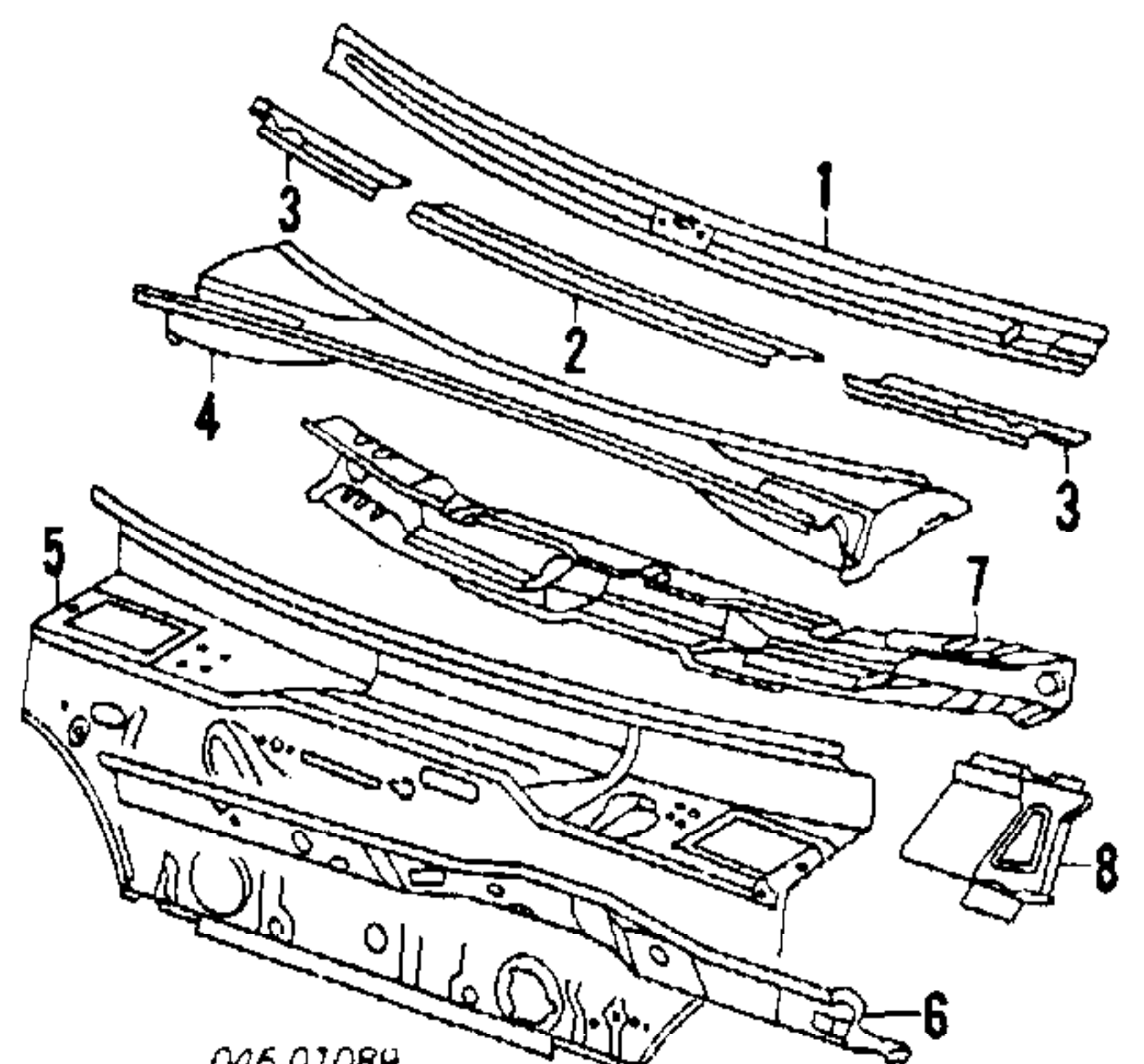


1 Blade Assy, Wiper				
To VIN N-003000				
Right Side	1H0 955 427	.1		15.05
Left Side				
450mm	533 955 425 C	.1		14.50
475mm	533 955 425 C	.1		14.50
From VIN N-003001	R 1H0 955 425 C	.1		15.80
	L 6N0 955 425	.1		22.95
	R/L 200 955 522	.1		9.90
2 Insert, Blade¶				
#Includes w/Wiper Blade Assy				
3 Arm, Wiper				
To VIN N-003000				
	R 535 955 410 A	#.2		36.05
	L 535 955 409	#.2		32.00
From VIN N-003001	R 535 955 410 B	#.2		32.00
	L 535 955 409 A	#.2		38.95
#Includes R&R Blade				
4 Shaft, Wiper				
	R 535 955 216	#.2		32.85
	L 535 955 215	#.2		32.85
5 Rod, Pivot				
To VIN N-003000	535 955 325	#.2		6.55
6 Rod, Pivot				
To VIN N-003000	535 955 326	#.2		8.70
7 Rod, Pivot				
From VIN N-003001	R 535 955 326 A	#.2		5.80
	L 535 955 325 A	#.2		5.80
#w/Wiper Assy Removed				
Frame, Wiper Motor				
To VIN N-003000	535 955 605	#.7		47.60
From VIN N-003001	535 955 603	#.7		86.50
8 Motor, Wiper				
To VIN N-003000	1J0 955 119	#.7		81.95
From VIN N-003001	535 955 119 C	#.7		189.95
9 Crank, Motor				
To VIN N-003000	535 955 121	#.7		5.00
From VIN N-003001	535 955 121 A	#.7		3.10
#R&R Complete, Includes R&R Wiper Shafts & Pivot Rods				
12 Reservoir, Washer	535 955 453	.5		21.90
13 Cap, Reservoir	1H0 955 455			2.35
14 Pump, Washer				
w/Rear Wiper	1H6 955 651	#.5		28.30
w/o Rear Wiper	431 955 651	#.5		50.90
15 Seal, Pump	443 955 465	#.5		.38
#R&R Complete				
16 Nozzle, Washer				
Heated	R/L 191 955 986 A	.2		18.05
Non-Heated	R/L 191 955 985 A	.2		1.75

COWL & DASH

Use Procedure Explanations 14 and 28 with the following text.

Refinish Plenum Panel	1.0
-----------------------	-----



1 Panel, Plenum	535 817 145 A	#2.0		92.20
#w/Windshield & Necessary Parts & Assemblies Removed				

VW CORRADO 1990-95

COWL & DASH Cont'd

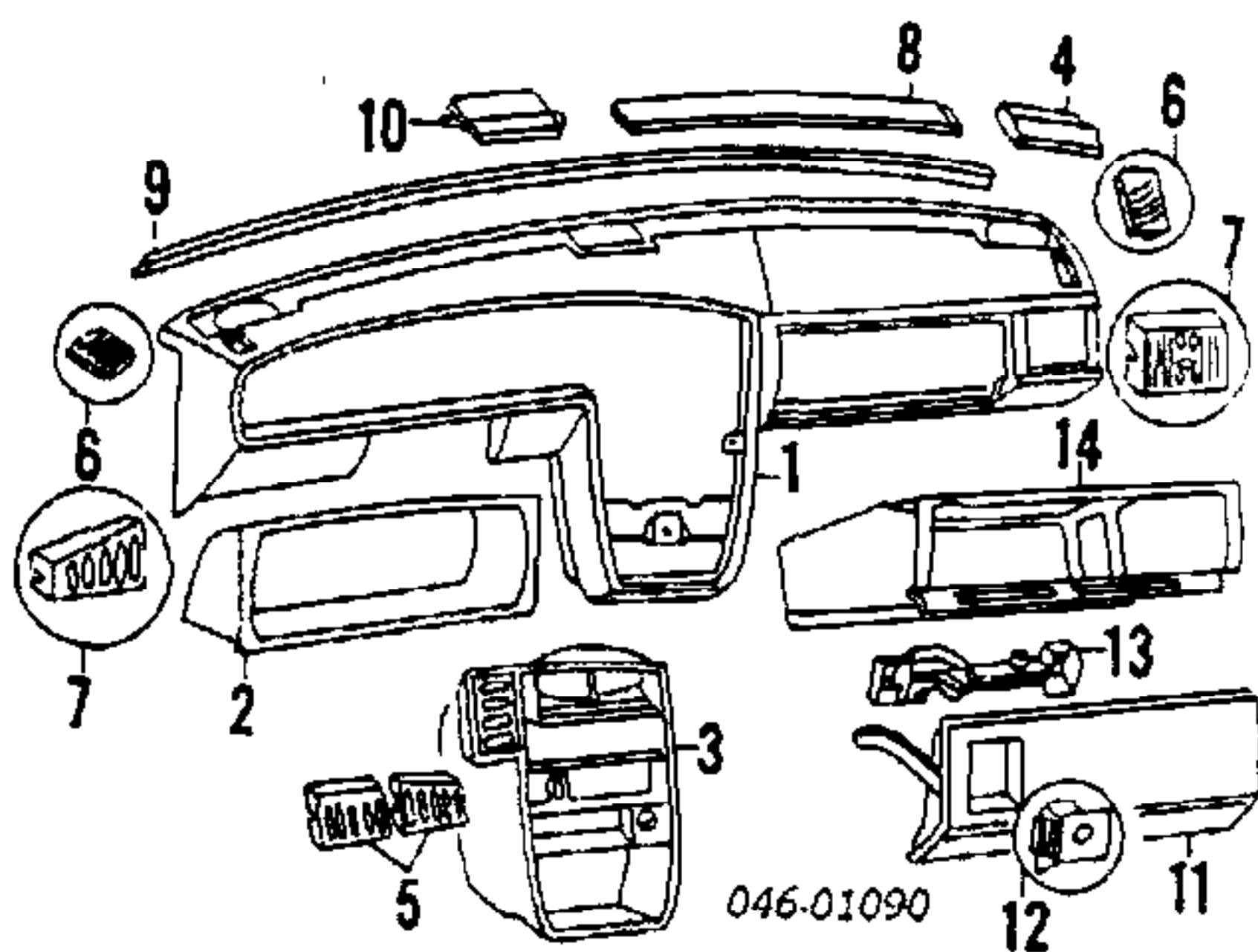
Deflector, Water			
2 Center	535 853 845 03C		32.50
3 Outer	R 535 853 830 03C		25.40
	L 535 853 829 03C		25.40
4 Panel, Drain			
535 819 415 38.60			
5 Panel, Dash			
1990-91			
To VIN M-015000	535 803 147		912.00
From VIN M-015001	535 803 147 D		d900.00
1992-94	535 803 147 F		d900.00
1995	535 803 147 K		N.A.
6 Plate, Separator			
535 803 153 A 232.00			
7 Reinf, Dash			
90-94	535 803 159		d304.15
95	535 803 159 D		325.40
8 Support, Steering Column			
535 803 161 d190.05			

INSTRUMENT PANEL

Use Procedure Explanation 14 with the following text.

R&I Instrument Panel	m	4.5
Add to R&I Instrument Panel		
w/ A/C	m	.5
w/Air Bag	m	.5
Add to R&R Instrument Panel		
w/ A/C	m	1.5
w/Air Bag	m	.5

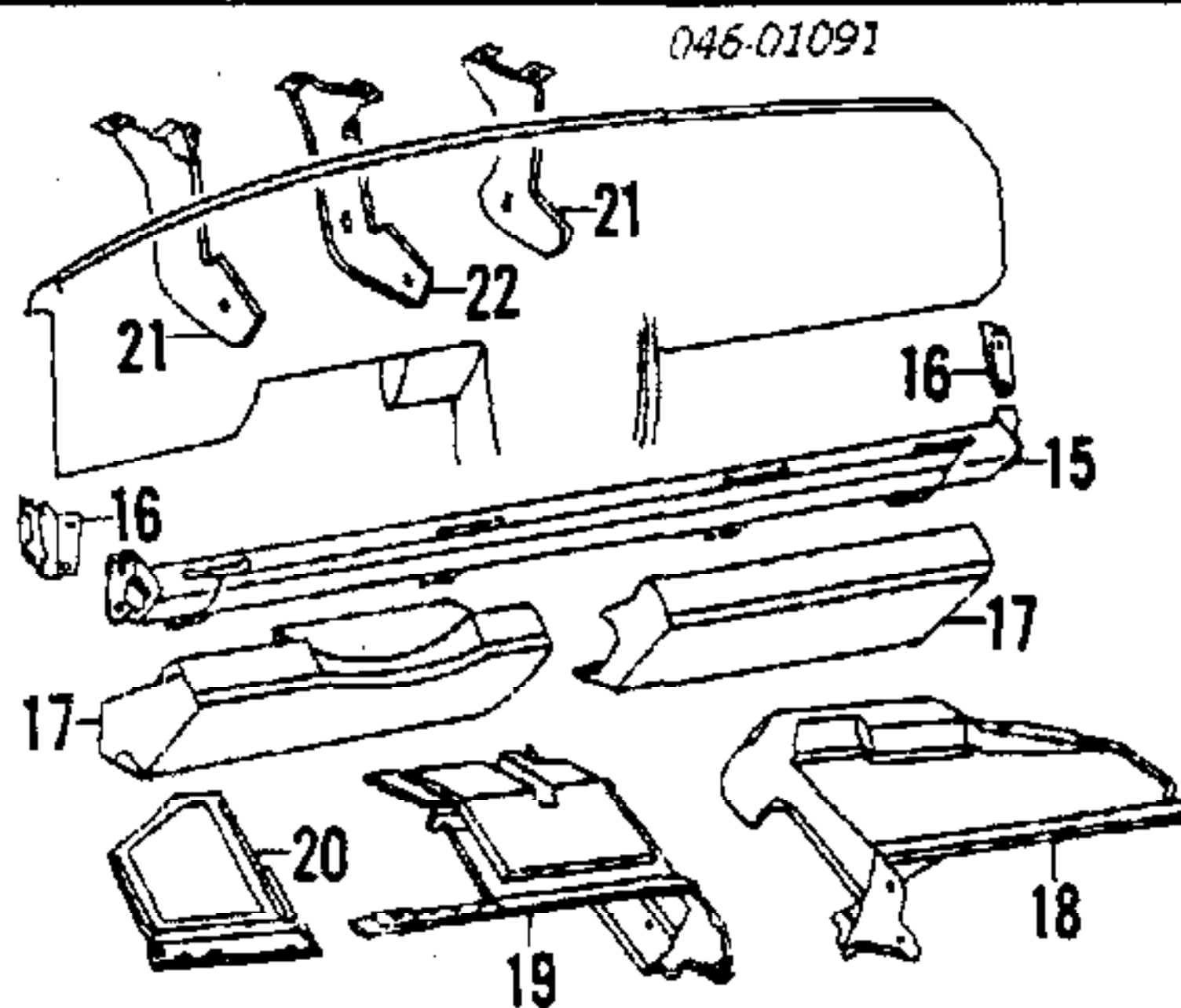
NOTE: All Parts in this section are included in R&R Instrument Panel unless noted otherwise.



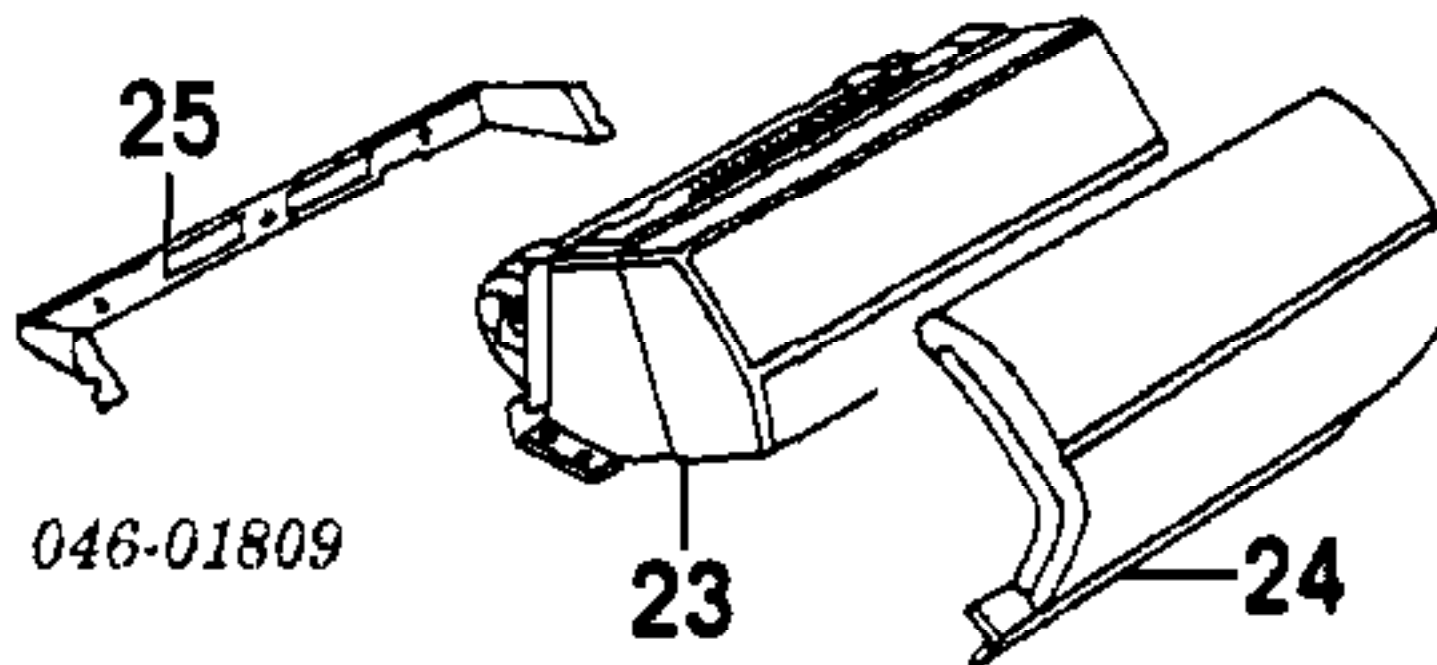
1 Panel, Instrument			
USA			
90-92	535 857 003 J 4FB m #6.5		929.00
93-94	535 857 003 L 4FB m #6.5		929.00
Canada			
w/Air Bag	N.A.	m #6.5	N.A.
w/o Air Bag	N.A.	m #6.5	N.A.
#w/Air Cond Add 1.5, w/Air Bag Add .5			
2 Panel, Trim			
535 857 243 01C .5 24.25			
3 Panel, Center			
90-92	535 863 241 B 01C	.8	169.05
93-95	535 863 241 E 01C	.8	118.15
¶Black listed, Order by Application			
Radio Assy			
New	357 035 186 J	.6	d625.00
Remanufactured	357 035 186 AX	.6	N.A.
¶Order by Application			
Speaker, Radio			
R/L	707 035 403	#.4	62.70
#Includes R&R Speaker Grille			
4 Grille, Speaker			
R	535 857 210 4FB	.2	27.35
L	535 857 209 4FB	.2	26.60
Louver, Air Vent			
5 Center			
90-92	R 535 819 708 A 01C	.2	28.80
	L 535 819 707 A 01C	.2	28.80
93-95	R 535 819 708 B 01C	.2	27.35
	L 535 819 707 B 01C	.2	27.35
90-92	R 535 819 752 4FB	.2	11.50
	L 535 819 751 4FB	.2	13.30
93-95	R 535 819 752 A 4FB	.2	16.70
	L 535 819 751 A 4FB	.2	16.70
90-92	R 535 819 708 01C	.2	28.80
	L 535 819 707 01C	.2	28.80
93-95	R 535 819 708 C 01C	.2	27.35
	L 535 819 707 C 01C	.2	27.35
8 Grille, Air Vent			
R	535 857 464 4FB	.3	27.10
L	535 857 463 4FB	.3	27.95
9 Cover, Trim			
535 858 061 4FB .2 d13.95			
10 Plate, Trim			
535 857 120 B 4FB .3 195.00			
11 Door, Glove Box			
90-92	535 857 120 B 4FB	.3	195.00
93-95	535 857 120 B 4FB	.3	195.00
12 Latch, Outer			
535 857 147 A 01C #.2 25.30			
¶Black listed, Order by Application			
Cylinder w/Key, Lock			
357 857 113 #.2 24.30			
#R&R Complete			
13 Catch, Inner			
535 857 131 01C .2 38.05			
14 Glove Box			
535 857 101 C #.6 155.95			
#Includes R&I Glove Box Door			

Illustration Located in Next Column

15 Bar, Knee			
90-92	535 857 891 A	.8	372.75
93-94	535 857 891 A	.8	372.75
95	535 857 891 B	.8	N.A.
16 Bracket, Knee Bar			
R	535 857 954 A	#.2	10.35
L	535 857 953 A	#.2	d25.15
#w/Knee Bar Removed			

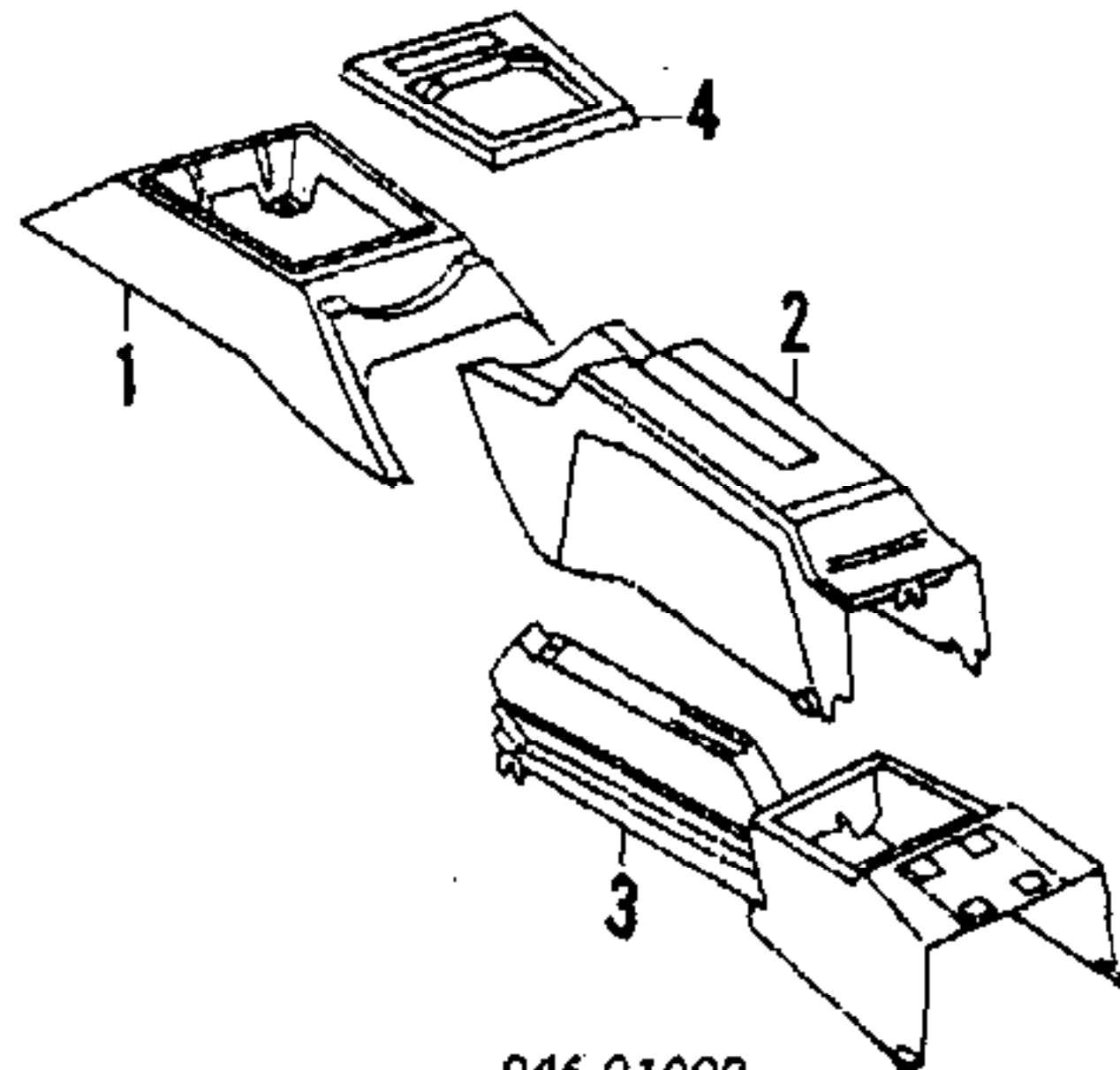


17 Pad, Knee Bar			
90-92	R 535 857 882 A 4FB	.4	467.50
	L 535 857 881 D 4FB	.4	453.90
93-95	R 535 857 882 A 4FB	.4	467.50
	L 535 857 881 D 4FB	.4	453.90
Panel, Trim Lower			
18 Right			
535 857 922 C 4FB .4 138.05			
19 Left			
535 857 921 A 4FB .4 280.00			
20 Cover, Fuse Box			
535 857 925 A 4FB .2 264.00			
¶Black listed, Order by Application			
Box, Fuse			
357 937 039 #1.0 223.75			
#Not Included in R&R Instrument Panel			
Support, Instrument Panel			
21 Outer			
R	535 857 012	#.2	d33.20
L	535 858 055	#.2	d42.10
535 858 056 #.2 d42.10			
#w/Instrument Panel Removed, Not Included in R&R Instrument Panel			



CENTER CONSOLE

Use Procedure Explanation 14 with the following text.



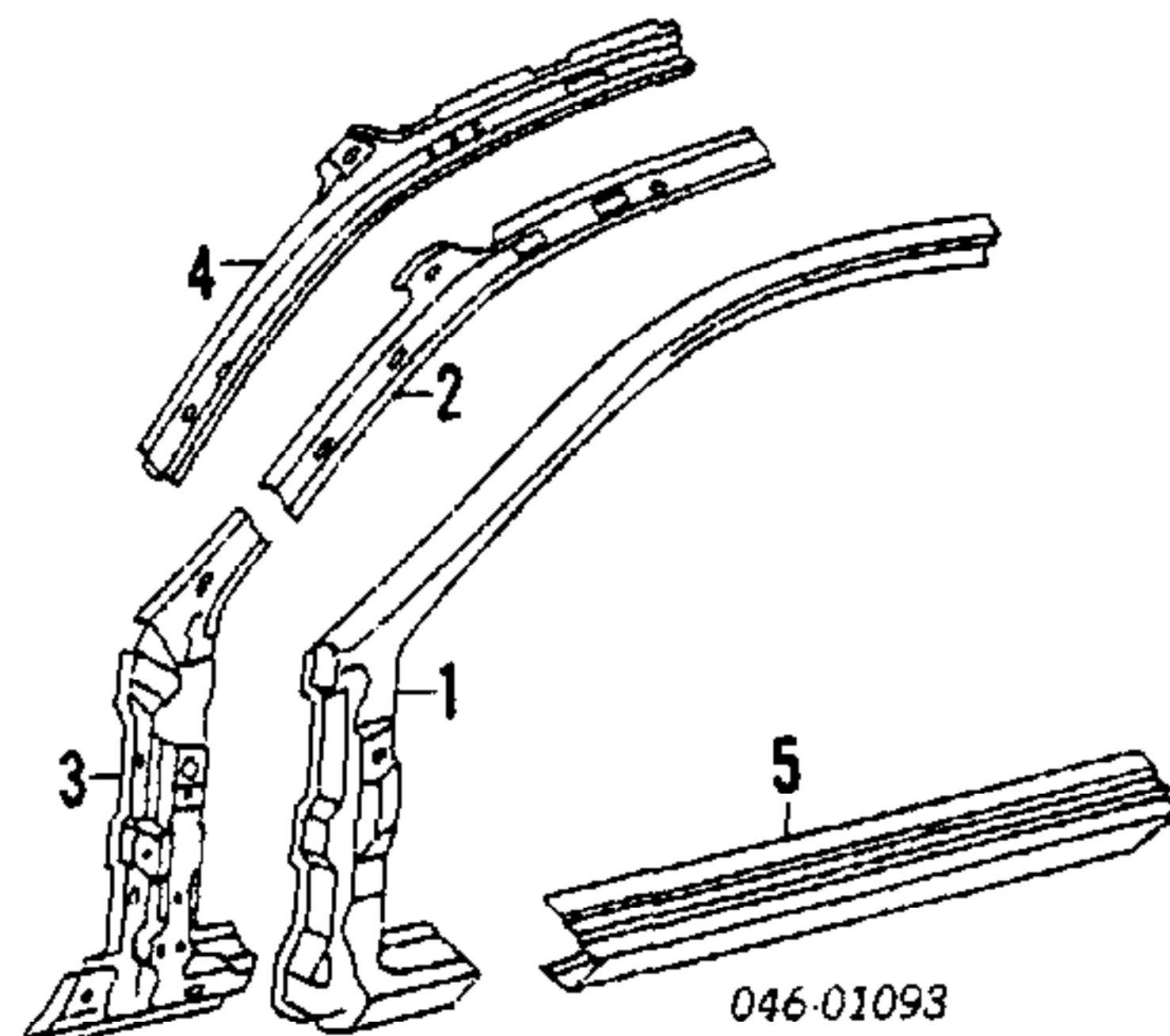
1 Console, Center			
535 863 273 A 4FB .5 108.75			
Cover, Console			
2 Front			
535 864 267 A 4FB .4 95.40			
3 Rear			
535 864 263 4FB .2 84.95			
4 Plate, Shift Lever			
Man Trans 535 863 216 A 4FB .2 d29.25			
Auto Trans 90-92 535 863 209 A 4FB .2 107.55			
93-94 535 863 209 E 4FB .2 262.95			
95 535 863 209 J 4FB .2 262.95			
Boot, Shift Lever			
535 711 113 A 1BX .2 d254.30			
¶Black listed, Order by Application			

ROCKER/PILLARS/FLOOR

Use Procedure Explanations 14,15 and 28 with the following text.

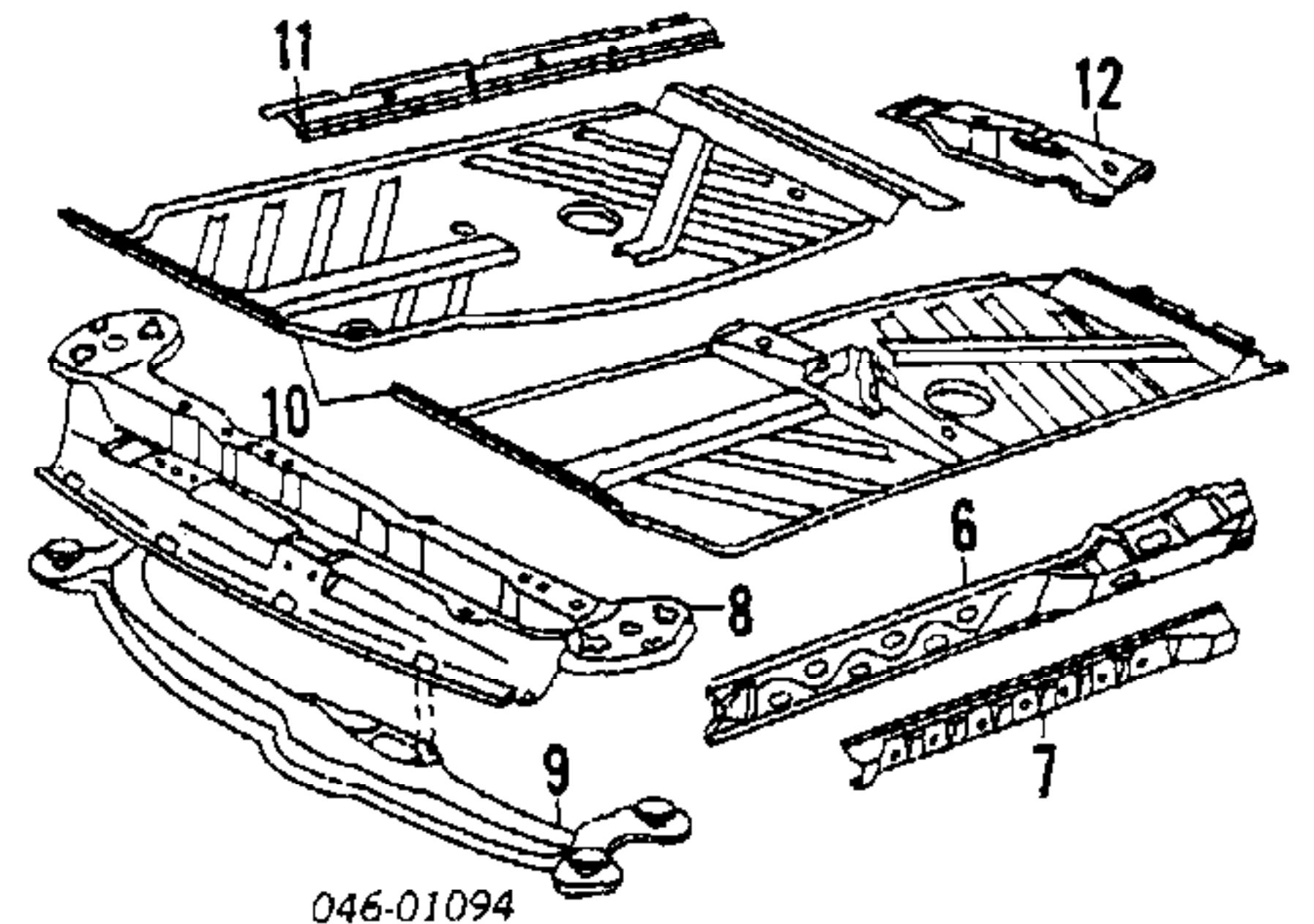
SHEET METAL

Refinish Hinge Pillar	R/L	1.0
Refinish Rocker Panel	R/L	1.3



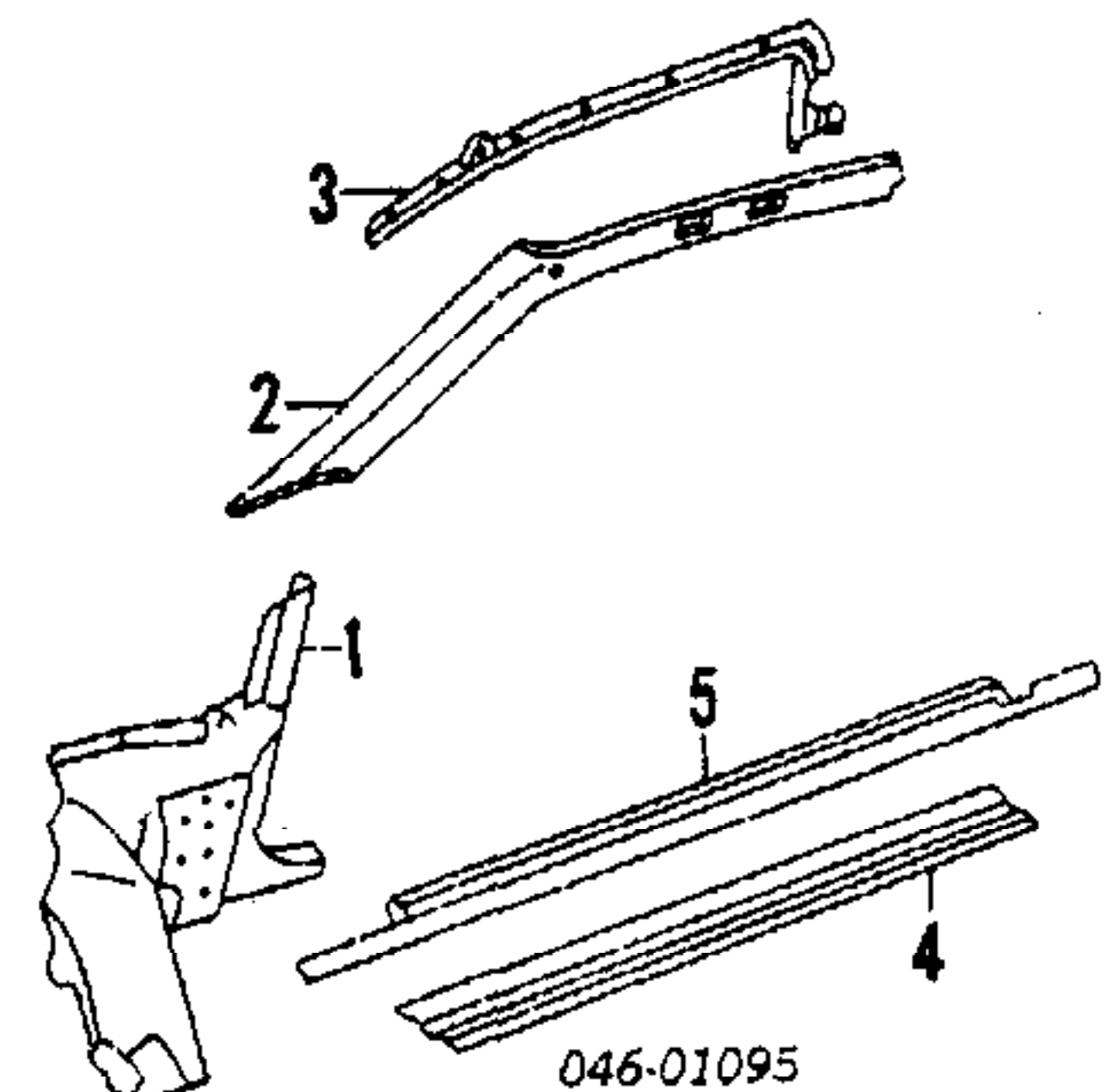
1 Pillar, Hinge			
R	535 809 840 A	s 10.2	83.55
L	535 809 839 A	s 10.2	83.55
Reinforcement, Pillar			
2 Upper Inner			
R	535 809 218	s	d209.35
L	535 809 217	s	83.75
3 Lower Inner			
90-92	R 535 809 622 A	s	273.20
	L 535 809 621 A	s	d273.20
93-95	R 535 809 622 C	s	259.30
	L 535 809 621 C	s	d103.70
4 Panel, Inner Upper-See Roof Section			
5 Panel, Rocker Outer			
R	535 809 848	s #5.5	75.95
L	535 809 847	s #5.5	75.95

#Deduct 1.0 w/Quarter Panel Removed



6 Panel, Rocker Inner			
R	535 810 622	s	260.85
L	535 810 621	s	260.85
7 Reinforcement, Rocker			
R	535 809 706	s 2.5	d166.95
L	535 809 705	s 2.5	73.45
8 Crossmember, Front-See Sub-Frame Section			
9 Reinf/Carrier-See Sub-Frame Section			
10 Pan, Front Floor			
R	191 803 206 B		d229.00
L	191 803 205 D		229.00
11 Plate, Cover			
R	191 803 226		17.15
L	191 803 225		17.15
12 Support, Seat			
R	535 803 232		d250.05
L	535 803 231		267.85

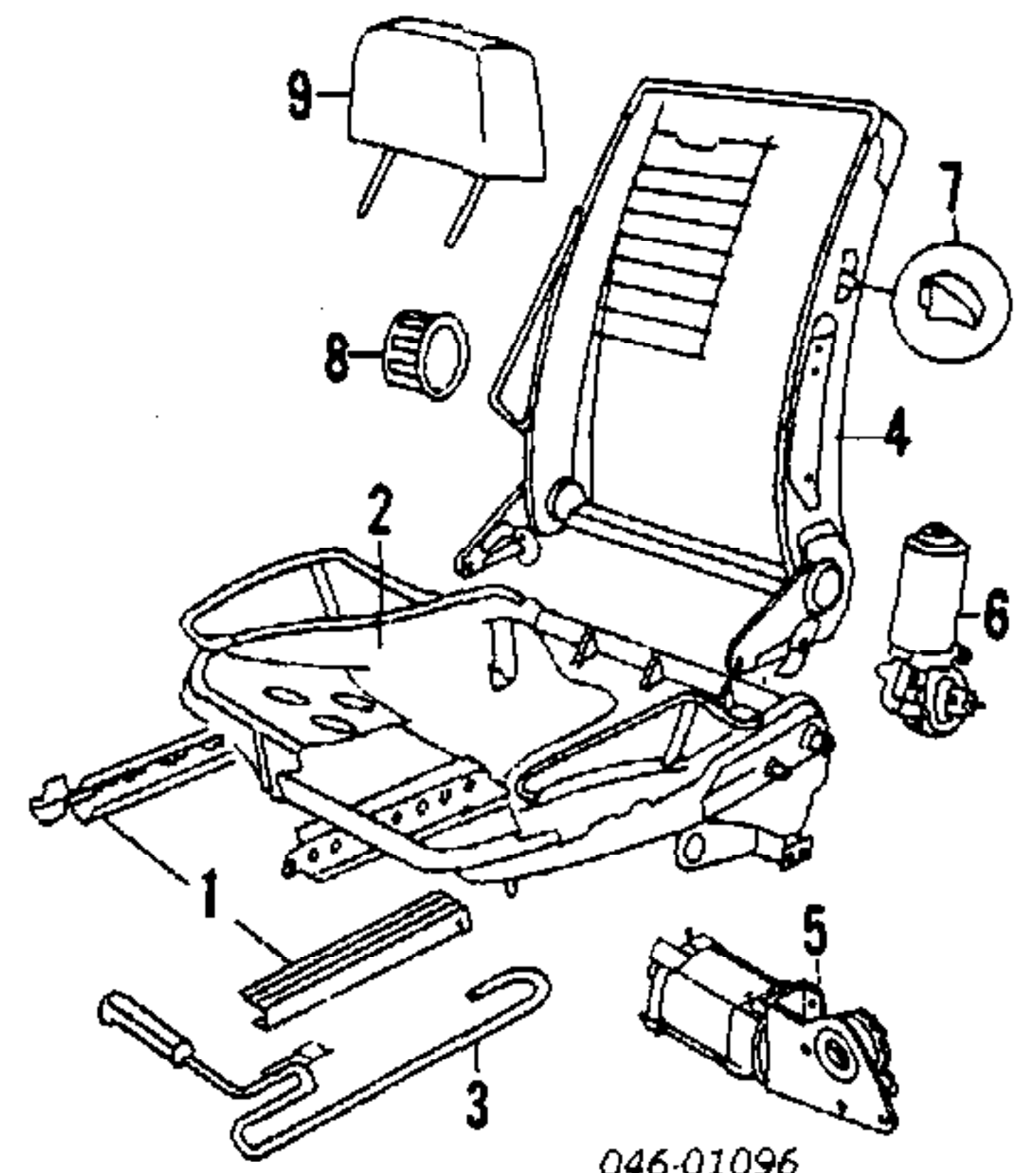
INTERIOR TRIM



1 Panel, Cowl			
R	535 863 668 4FB	.4	54.95
L	535 863 667 4FB	.4	54.95
2 Moulding, Garnish-See Windshield Section			
¶Black listed, Order by Application			
3 Panel, Upper Trim			
w/Passive Restraints			
R	535 868 224	.3	67.60
L	535 868 223	.3	67.60
Plate, Sill Scuff			
R/L	535 853 813 01C	.2	41.30
4 Outer			
R	535 853 370 4FB	.2	57.95
L	535 853 369 4FB	.2	57.95
¶Black listed, Order by Application			

FRONT SEAT

R&I Front Seat (One Side) R/L .5



1 Adjuster, Seat Guide			
Passenger			
R	357 803 254	#1.0	35.95
L	4A0 803 258 B	#1.0	21.50
Driver			
R	4A0 803 257 B	#1.0	21.50
L	357 803 253	#1.0	34.85
#Includes R&I Seat, R&R Both One Seat 1.3			

2 Frame				
w/Height Adjust				
VW Built	R 535 881 104 C	#2.0	499.85	
	L 535 881 103 C	#2.0	199.95	
Recaro Built	R/L 535 881 106-5	#2.0	N.A.	
#Includes R&I Seat				
3 Lever, Adjust				
VW Built	R 535 881 232	#.4	28.35	
	L 535 881 231	#.4	28.35	
Recaro Built	R 535 881 232 A	#.4	18.60	
	L 535 881 231 A	#.4	19.10	
#w/Seat Removed				
4 Frame/Adjuster, Back				
VW Built	R/L 535 881 049 A	#1.5	336.35	
Recaro Built	R/L 535 881 045 A	#1.5	N.A.	
#Includes R&I Seat				
5 Motor, Frame Adjust				
	R 535 959 762	1.5	N.A.	
	L 535 959 761	1.5	N.A.	
6 Motor, Back Rest				
	R/L 535 959 761 A	.8	N.A.	
7 Knob, Tilt				
	R 867 881 634		d3.25	
	L 867 881 633		d3.25	
8 Knob, Adjuster				
	R/L 357 881 671		d3.65	
9 Headrest Assy				
VW Built (w/o Cover)	R/L 191 881 903 C	.2	111.90	
Recaro Built (w/Cover)†	R/L 535 881 901 F AFB	.2	N.A.	
†Black listed, Order by Trim Code				

046-01100

6 Solenoid, Belt Lock-Not Applicable

7 Switch, Solenoid R 357 959 674 27.90
L 357 959 673 27.90

Switch, Seat Belt

8 Front (2) R/L 535 959 665 8.25

9 Rear 535 959 689 76.80

10 Control, Belt Adjustment 357 959 663 96.15

11 Sender, Belt Lock 357 959 661 92.15

EXTERIOR TRIM

Refinish Mirror R/L .5

R&I Mirror R/L #1.0

#Includes R&I Trim Panel

046-01102

1 Midg, Window Frame†-See Glass & Parts Section
‡Rubber-Part of Glass Run Channel

2 Bead, Protection (Black) R 535 837 432 #.4 195.15
L 535 837 431 #.4 195.15

#R&R Complete w/Run Channel

3 Moulding, Belt†-See Door Glass Section
‡Part of Outer Belt Weatherstrip

4 Moulding, Side

Adhesive Type	90-91 R	535 853 516 2BC	.2	60.65
	L	535 853 515 2BC	.2	60.65
	92-95 R	535 853 516 A 2BC	.2	87.15
	L	535 853 515 A 2BC	.2	87.15

Moulding, Corner Trim

5 Outer	R	535 853 222 01C	#.4	13.00
	L	535 853 221 01C	#.4	13.00
6 Inner	R	535 853 294 01C	#.4	16.75
	L	535 853 293 01C	#.4	16.75
7 Seal, Midg Outer	R	535 837 990	#.4	6.50
	L	535 837 989	#.4	6.50
8 Seal, Midg Inner	R	535 837 986	#.4	6.50
	L	535 837 985	#.4	6.50
9 Retainer, Moulding	R	535 837 136 01C	#.4	5.95
	L	535 837 135 01C	#.4	4.25

#R&R One Side Complete

10 Mirror, Rear View (P)

Power Heated	R	535 857 502 B QV1	#1.0	230.55
	L	535 857 501 A QV1	#1.0	230.55

(P) Paint to Match

#Includes R&I Trim Panel

Glass, Mirror† R 535 857 522 B 133.55
L 535 857 521 A 80.25

Gasket, Mounting† R 535 857 543 #1.0 d7.50
L 535 857 543 01C #1.0 8.25

†Included w/Mirror Assy
#Included in R&R Mirror

REAR SEAT

R&I Rear Seat5

SEAT BELTS

FRONT ACTIVE RESTRAINT CANADA

046-01097

1 Belt, Seat

w/Air Bag	R	N.A.	1.0	N.A.
	L	N.A.	1.0	N.A.
w/o Air Bag	R	N.A.	1.0	N.A.
	L	N.A.	1.0	N.A.

2 Buckle, Belt

VW Built	R	N.A.	.3	N.A.
	L	N.A.	.3	N.A.
Recaro Built	90-94	R N.A.	.3	N.A.
	L	N.A.	.3	N.A.
	95	R N.A.	.3	N.A.
	L	N.A.	.3	N.A.

REAR

046-01098

1 Belt, Three Point R/L 535 857 805 .8 80.80

2 Buckle, Belt R 535 857 740 .4 24.80
L 535 857 739 .4 25.85

FRONT DOOR

Use Procedure Explanations 16 and 28 with the following text.

SHEET METAL

Refinish Door Outside	R/L	2.5
Add for Jamb & Interior	R/L	1.0
Add for Jamb	R/L	.5
Refinish Upper Hinge	R/L	.2
Refinish Lower Hinge	R/L	.2
R&I Door Assy	R/L	.7
Add to R&R Door Shell		
To Drill Holes for Installation		
One Moulding	R/L	.3
Each Additional Moulding	R/L	.2

FRONT PASSIVE RESTRAINT

1 Retractor Side R 535 880 706 A .8 212.55
L 535 880 705 A .8 212.55

2 Buckle Side R 535 880 708 .6 117.85
L 535 880 707 .6 117.85

3 Slide Assy R 535 880 702 1.2 737.00
L 535 880 701 1.2 1120.00

Bracket, Pillar

4 Outer R/L 535 880 781 .2 d4.30

5 Inner R 535 880 572 .3 15.60
L 535 880 571 .3 6.25

046-01099

046-01445

1 Shell Assy, Door 90-92 R 535 831 052 Q #5.0 d758.00
L 535 831 051 AN #5.0 1093.00
93-95 R 535 831 052 Q #5.0 d758.00
L 535 831 051 AN #5.0 1093.00

#Includes R&R Reinforcement Bar & Mirror

Panel, Door Repair† R 535 831 106 #7.0 422.70
L 535 831 105 #7.0 422.70

#Includes R&I Door Glass

2 Hinge†
Upper R/L 321 831 403 #1.5 14.05
Lower R/L 321 831 403 #1.5 14.05

3 Pin, Hinge†
Upper & Lower R/L 321 831 421 #1.5 2.95

4 Plate, Strap Mount†
Upper & Lower R/L 191 809 653 #1.5 9.80

†Included w/Door Shell Assy
#w/Fender & Door Removed, R&R Upper & Lower One Side 2.5

5 Bar, Reinforcement R/L 535 831 505 A #.5 191.95
#w/Trim Panel Removed

INTERIOR TRIM

R&I Trim Panel R/L .4

046-01103

1 Panel, Trim†
USA
Cloth (Velour) R 535 867 014 C VV4 #.6 548.00
L 535 867 013 C VV4 #.6 d219.20
Leather R 535 867 014 A 1BX #.6 d1181.00
L 535 867 013 A 1BX #.6 d1264.00
Canada (Cloth) R N.A. #.6 N.A.
L N.A. #.6 N.A.

#Includes R&R Pocket & Speaker

2 Moulding, Upper† R 535 868 504 A 01C #.2 24.75
L 535 868 503 A 01C #.2 25.55

#w/Trim Panel Removed

3 Handle, Pull†
Cloth R 535 867 172 01C .2 15.40
L 535 867 171 01C .2 15.40
Leather R 535 867 172 A 1BX .2 d186.50
L 535 867 171 A 1BX .2 d192.05

4 Pocket† R 535 867 132 4FB .3 76.05
L 535 867 131 4FB .3 68.00

†Order by Application

5 Trim, Pocket-Not Applicable

6 Grille, Speaker† R 535 867 146 A 4FB .1 42.95
L 535 867 145 A 4FB .1 42.95

†Order by Application

Speaker, Radio R/L 535 035 403 A #.4 345.80

#Includes R&R Pocket & Speaker Grille

Clip, Retainer

7 Upper (6)	R/L	535 867 299 B	#.2	1.70
8 Center (2)	R/L	533 867 299	#.2	2.00
9 Lower (8)	R/L	3A0 867 301 01C	#.2	1.30

VW CORRADO 1990-95

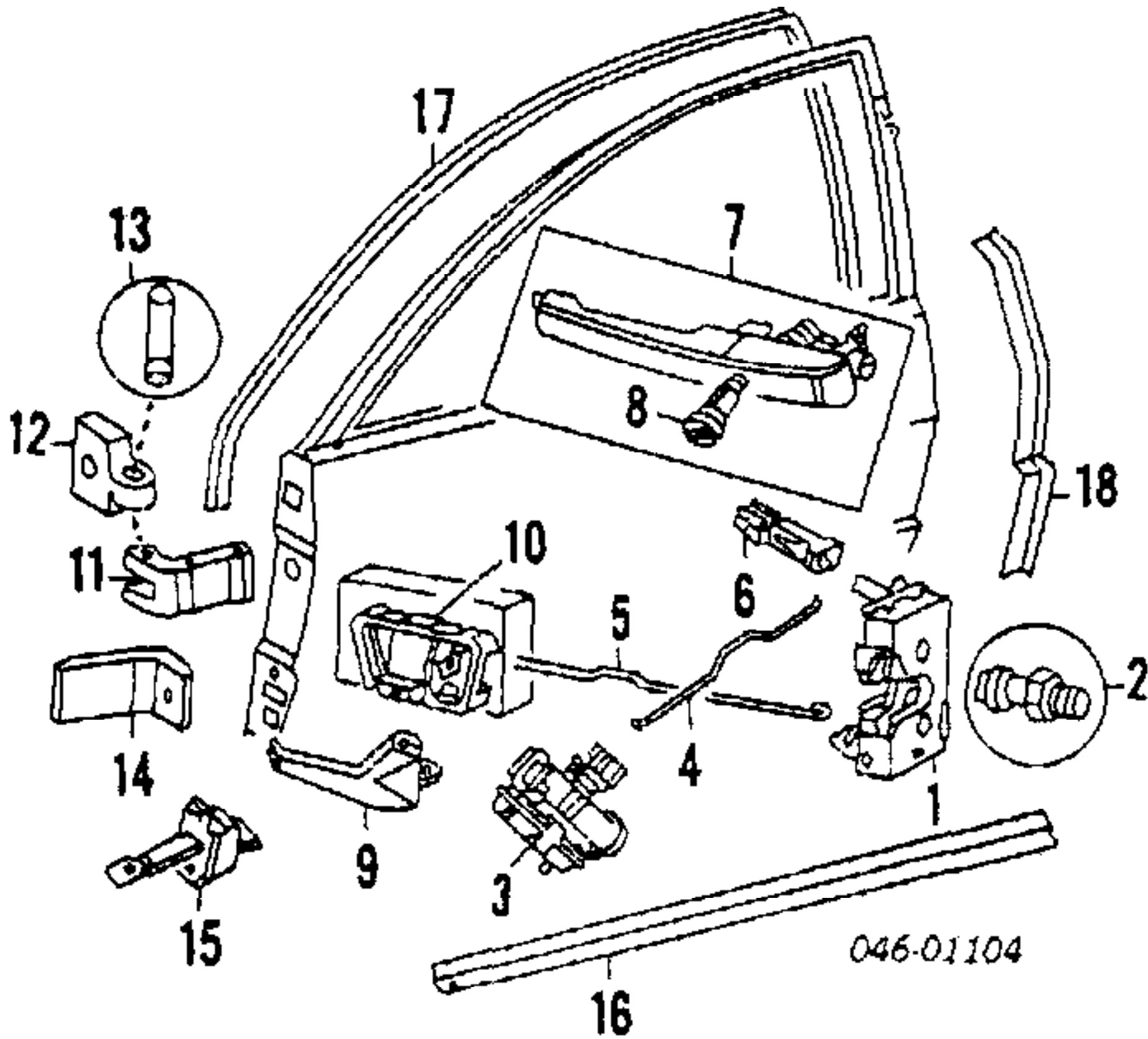
FRONT DOOR Cont'd

INTERIOR TRIM Cont'd

#R&R Complete, w/Trim Panel Removed

HARDWARE

R&I Outside Handle R/L #.6
#Includes R&I Trim Panel

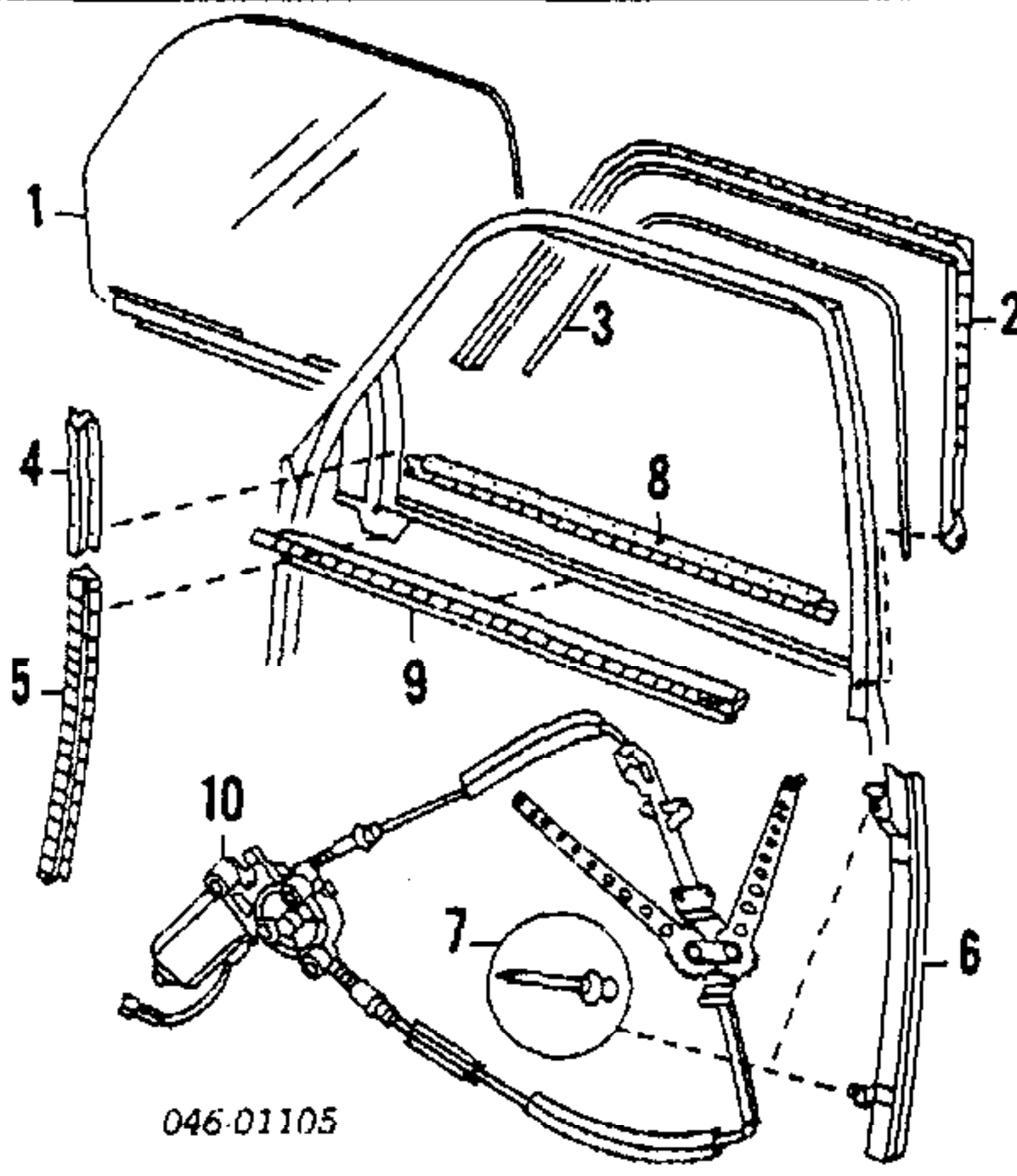


1 Latch Assy USA To VIN N-015170	R 535 837 016 A L 535 837 015 A	#.3	122.95
From VIN N-015171	R 535 837 016 C L 535 837 015 C	#.3	120.20
Canada	R N.A. L N.A.	#.3	N.A.
#w/Trim Panel Removed			
2 Striker, Latch	R/L 357 837 034	.2	6.90
3 Actuator, Power Lock 1990-92	R/L 357 862 153	#.3	85.20
1993-95	R 357 862 154 A L 357 862 153 J	#.3	44.60 67.30
4 Rod, Actuator	R 535 837 298 L 535 837 297	#.1	2.05 5.95
5 Rod, Pull	R/L 535 837 081	#.1	10.50
6 Lever, Lock	R 357 837 084 L 357 837 083	#.2	1.00 1.00
7 Handle Assy, Outer To VIN N-005964	R 535 837 206 C L 535 837 205 E	#.2	126.45 126.45
From VIN N-005965 to VIN N-015170	R 535 837 206 E L 535 837 205 E	#.2	126.45 126.45
From VIN N-015171	R 535 837 206 J L 535 837 205 J	#.2	126.45 126.45
#w/Trim Panel Removed			
8 Cylinder, Lock (a)	R 535 837 062 L 535 837 061	#.2	17.20 15.55
Included w/Outer Handle Assy (a) Order by Application			
#w/Door Handle Removed, Does Not Include Recode			
9 Handle, Inside	R 191 837 226 01C L 191 837 225 01C		4.50 4.65
10 Housing	R 321 837 236 A 01C L 321 837 235 A 01C		5.80 5.95
11 Hinge, Half-Serviced w/Door Shell Assy			
12 Strap, Hinge-Serviced w/Door Shell Assy			
13 Pin, Hinge-Serviced w/Door Shell Assy			
14 Plate, Strap Mount-Serviced w/Door Shell Assy			
15 Strap, Check	R/L 535 837 249	#.2	32.25
#w/Trim Panel Removed			
Weatherstrip			
16 On Door Lower	R 535 837 914 A L 535 837 913 A	.4	d406.65 104.70
17 On Body	R/L 535 837 911 A	.4	152.00
18 Seal, Rear	R 535 837 908 L 535 837 907	.2	153.60 153.60

GLASS & PARTS

Illustration Located in Next Column

1 Glass, Front Door Volkswagen-Tinted	R 535 845 022 A L 535 845 021 A	#1.5	199.30 199.30
NAGS-Green	R FD03969GTN L FD03970GTN	#1.5	377.00 377.00
#Includes R&I Trim Panel			
2 Channel, Glass Run (a)	R 535 837 440 A L 535 837 439 A	.4	247.20 247.20
Used as Window Frame Moulding			
3 Bead, Edge Protection-See Exterior Trim Section			
4 Guide, Front Upper	R 535 837 434 L 535 837 433	#.2	26.65 26.65
5 Guide, Front Lower	R/L 535 837 449	#.2	30.65
#R&R One Side Complete, w/Glass Removed			
6 Guide, Rear	R 535 837 416 L 535 837 415	#.2	28.65 28.65
#w/Glass Removed			



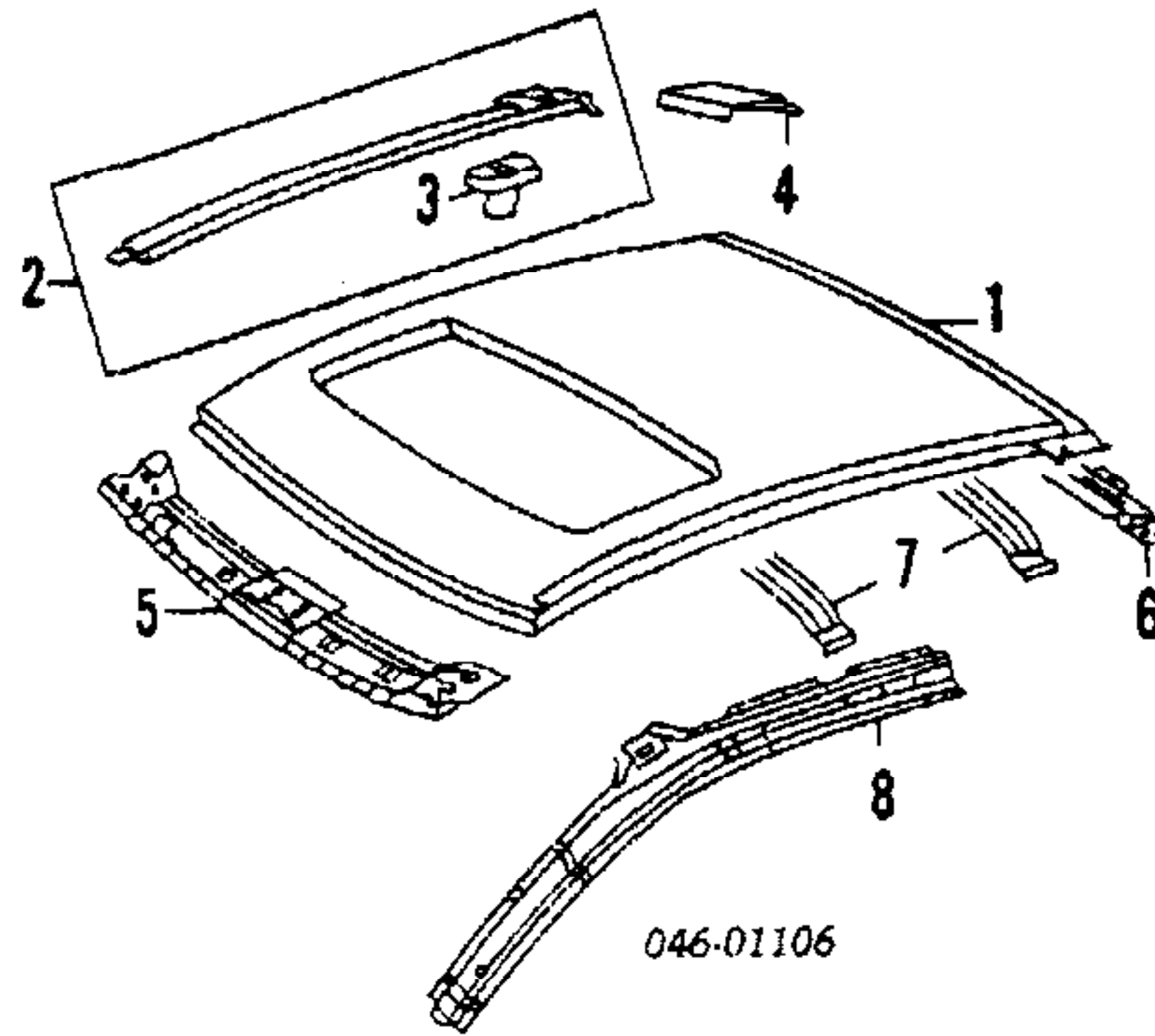
7 Rivet, Guide (4)	R/L N 904 786 01		.58
8 W/Strip, Belt Outer (a)	R 535 837 474 A 01C L 535 837 473 A 01C	.4	83.30 83.30
Includes Belt Moulding			
9 W/Strip, Belt Inner	R 535 837 476 01C L 535 837 475 01C	#.2	43.15 43.15
#w/Trim Panel Removed			
10 Regulator w/Motor	R 535 837 402 A L 535 837 401 A	#1.8	440.20 453.40
#Includes R&R Glass & R&I Trim Panel			

ROOF

Use Procedure Explanations 17 and 28 with the following text.

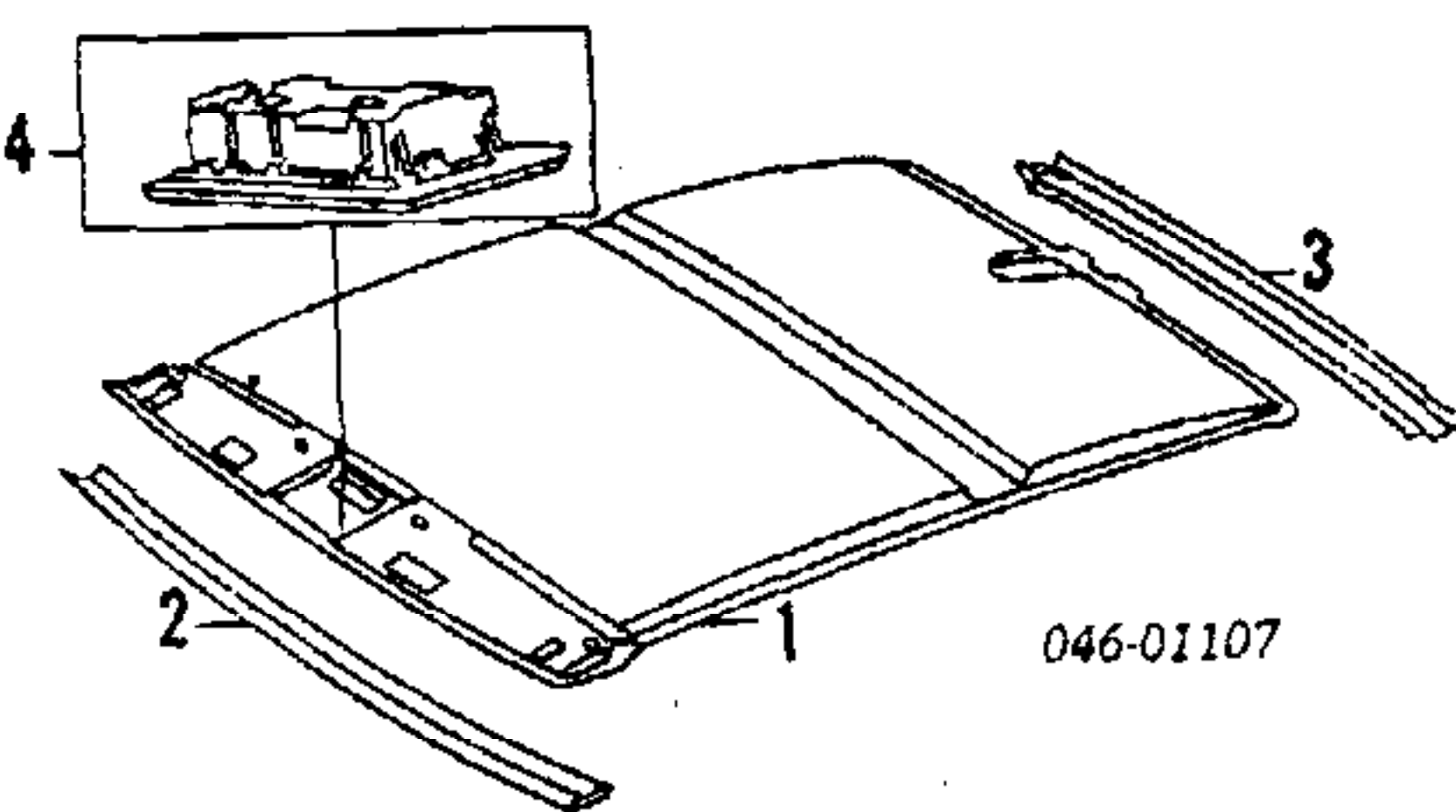
SHEET METAL/EXTERIOR TRIM

Refinish Roof Outside	2.9
Add to Edge	.8



1 Panel, Roof w/Sunroof	535 817 021 A	19.3	878.00
w/o Sunroof	535 817 021	18.0	d659.00
2 Moulding Assy	R 535 853 706 01C L 535 853 705 01C	.3	75.95 75.95
3 Clip, Moulding (a)	R/L 535 853 733 01C		1.30
Includes w/Moulding Assy			
4 Cap, Moulding	R 535 853 720 01C L 535 853 719 01C		2.85 2.85
Antenna Assy, Amplified	871 035 503	1.2	152.60
Mast, Antenna (a)	3A0 051 849	.2	37.00
(a) Included w/Antenna Assy			
5 Panel, Front Header	535 817 121	1.0	223.75
6 Panel, Rear Header	535 817 163	1.0	d162.30
7 Bow, Reinforcement w/Sunroof			
Rear	535 817 119 A		98.00
w/o Sunroof			
Front & Rear	535 817 119		d93.60
Rail, Roof Side Outer-See Rocker/Pillars Section			
8 Inner	R 535 809 428 L 535 809 427		d341.40 341.40

INTERIOR TRIM



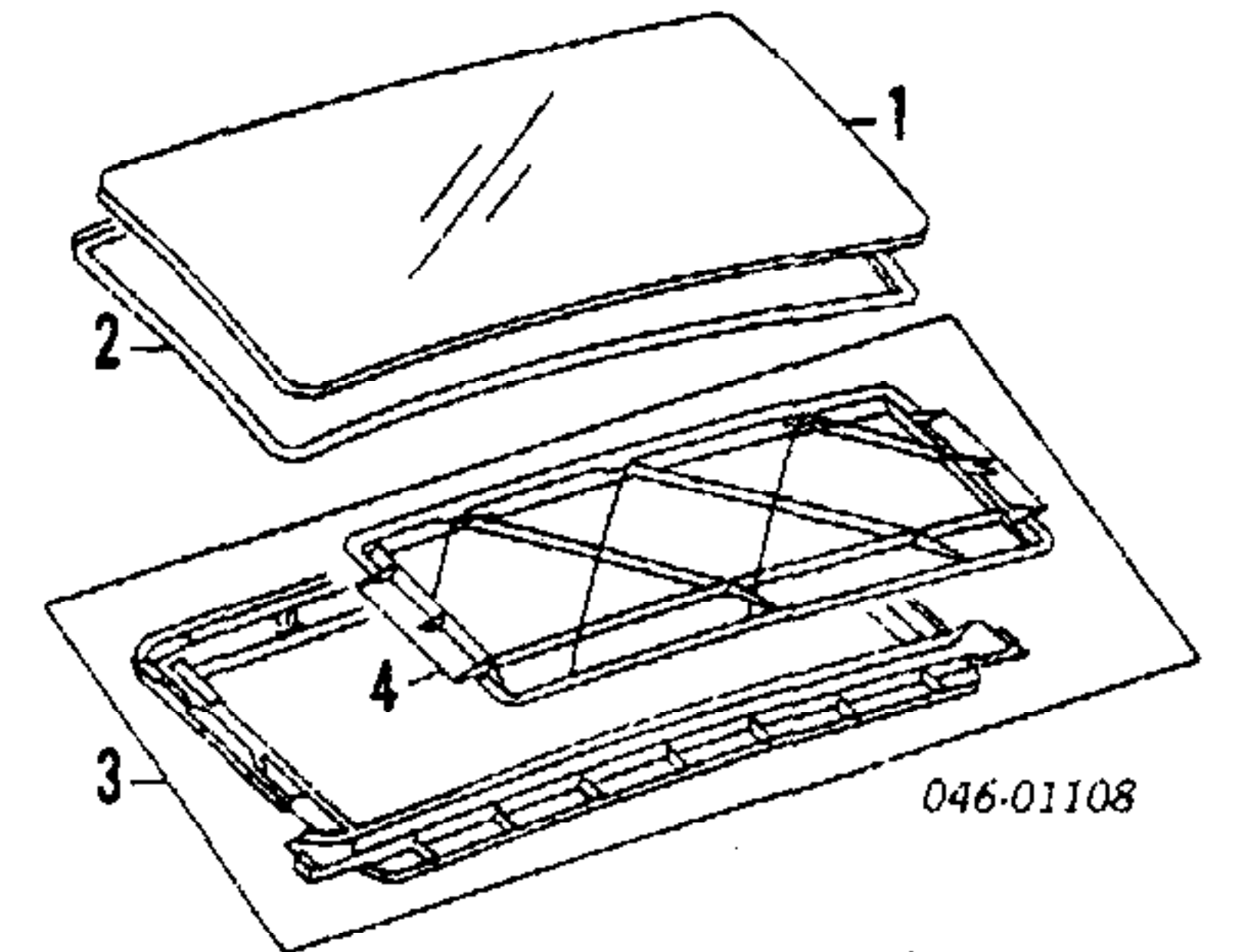
1 Headliner, Moulded (a) w/Sunroof	90-92 535 867 499 B 4CT 93-95 535 867 499 C 6YW	2.3	360.50 360.50
---------------------------------------	--	-----	------------------

w/o Sunroof	535 867 499 4CT	2.0	d406.85
2 Panel, Header Trim (a)			
Front	535 867 551 1DH	.3	14.40
3 Rear	535 867 617 4FB	.3	69.65
(a) Gray listed, Order by Application			
4 Lamp, Overhead Console			
w/Sunroof	1H0 947 111	.3	d60.95
w/o Sunroof	90 357 947 105 B 01C 91-95 357 947 105 C 01C	.3	70.05 75.10
Bulb, Dome	N 017 723 2	#.2	1.60
Bulb, Reading	N 017 753 2	#.2	1.30
#R&R Both, Included in R&R Console Lamp			

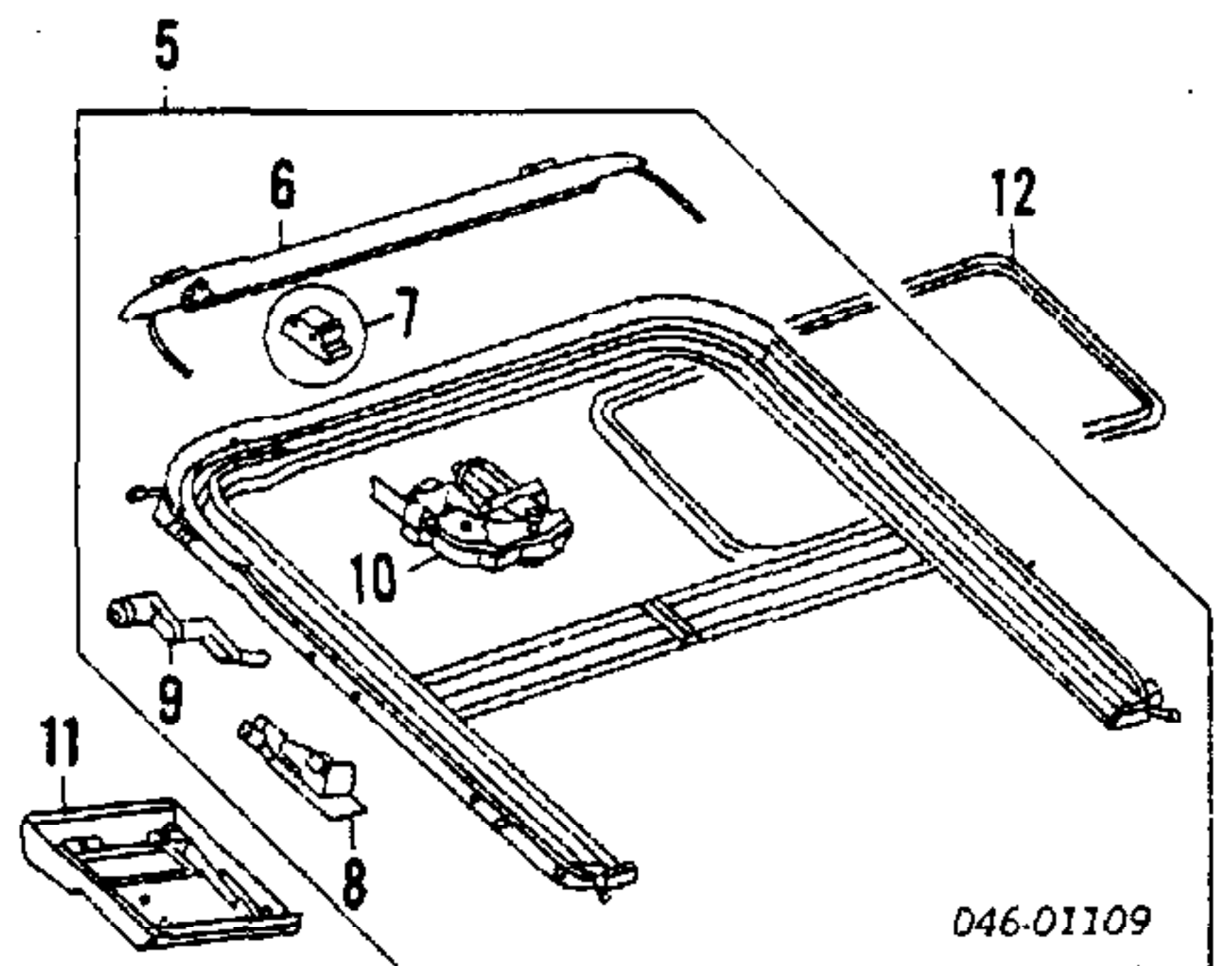
SUNROOF

Refinish Sliding Panel	#1.0
#Included in Refinish Roof Panel	
R&I Sunroof Assy	#3.3
O/H Sunroof Assy (Includes R&I)	#3.9
#Includes R&I/R&R Headliner & Necessary Adjustments	

NOTE: All Parts in this section are included in overhaul unless noted otherwise.



1 Panel, Sliding	535 877 071	1.5	362.95
2 Weatherstrip, Panel	321 877 209 A	#1.6	59.90
#Includes R&R Sliding Panel			
3 Frame Assy, Panel (a) w/Headliner	357 877 255 A 4CT		445.75
4 Panel, Headliner (a)	357 877 271 4CT		223.60
(a) Gray listed, Order by Application			

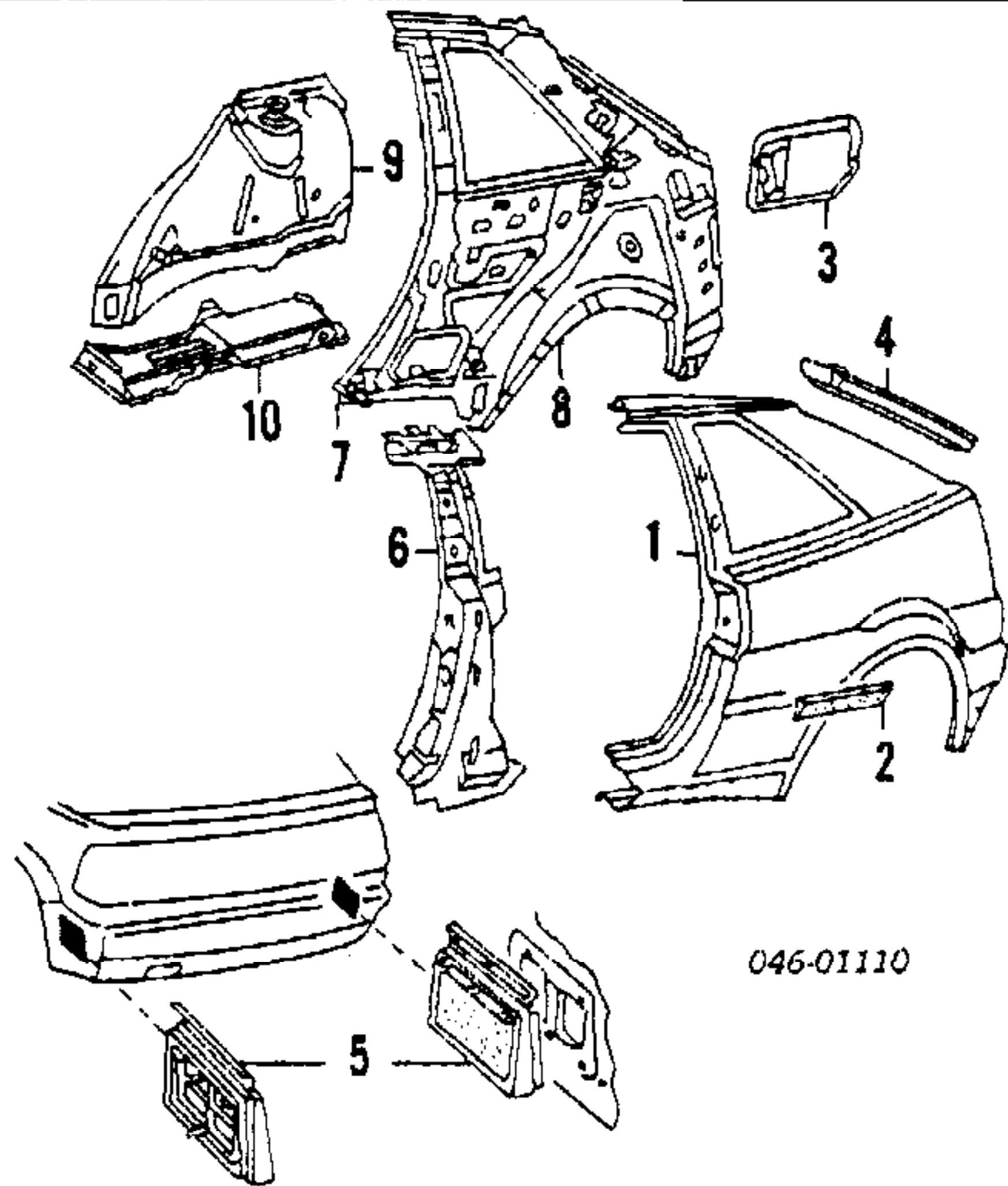


5 Frame Assy w/Sliding Mechanism	357 877 431	#3.9	482.05
#Includes R&R Headliner			
6 Deflector, Air (b)	357 877 651	.4	97.95
7 Lever, Deflector (b)	R/L 357 877 657		1.80
8 Guide, Lock (b)	R 357 877 386 L 357 877 385		10.30 10.30
9 Fastener (b)	R 357 877 270 L 357 877 269		7.85 7.85
10 Motor, Sliding Panel (b)			
1990-92	357 877 795	1.1	557.00
1993-95	3A0 959 731 B	1.1	306.70
(b) Included w/Frame Assy			
11 Cover, Motor (a)	90-92 535 877 847 B 6FD 93-95 535 877 847 C 6FD		59.45 d56.65
12 Weatherstrip, Frame (a)	703 877 227 A 6YW		38.50
(a) Gray listed, Order by Application			

QUARTER PANEL

SHEET METAL/EXTERIOR TRIM

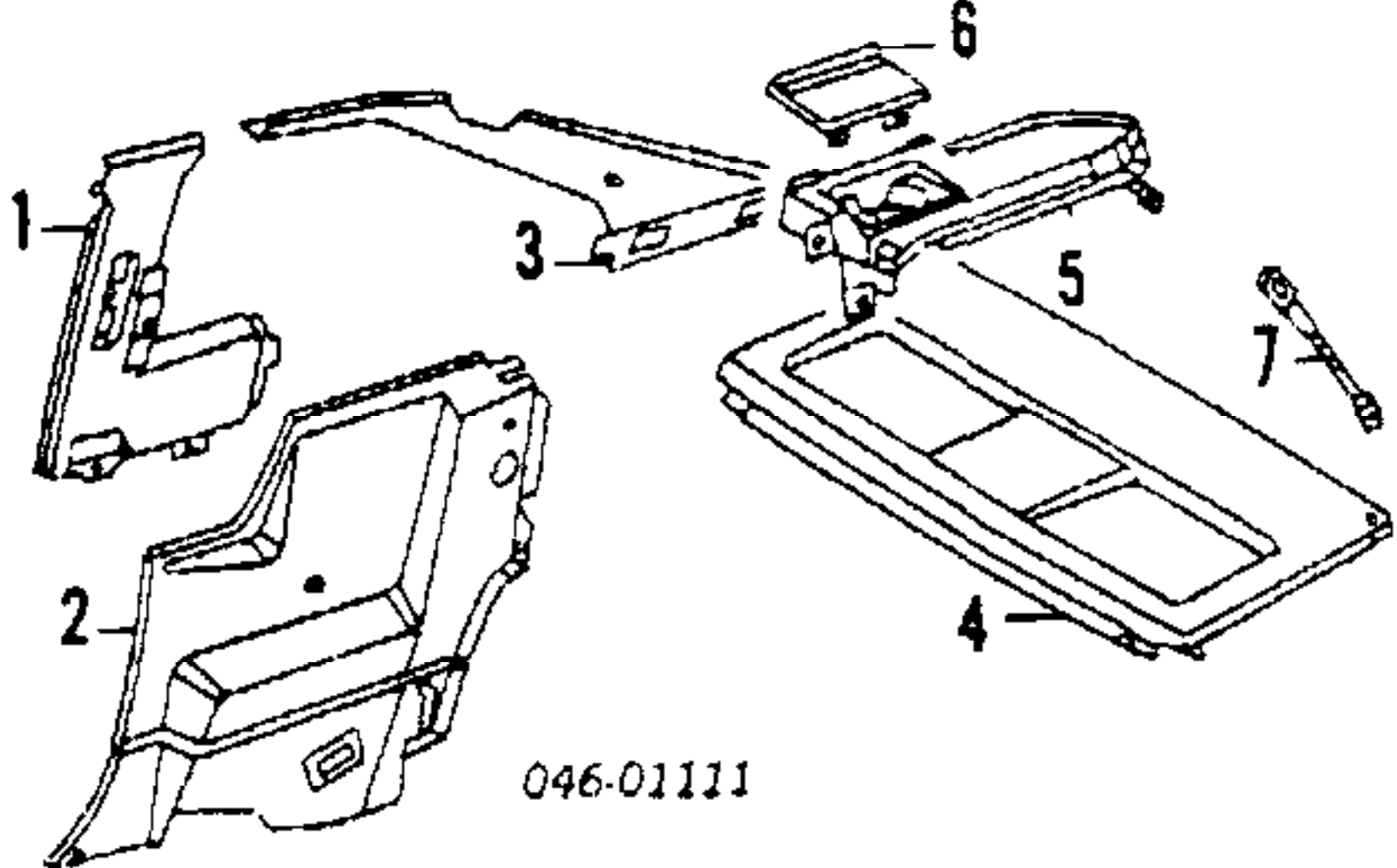
Refinish Quarter Outside	R/L	2.8
Add to Edge Panel	R/L	.5
Add for Lock Pillar	R/L	.5
R&R Both Quarter Panels		27.8
R&R Roof & Both Quarter Panels w/Sunroof		39.1
w/o Sunroof		37.8
R&R Rear Body Panel & Both Quarter Panels		32.8
R&R Roof, Both Quarters & Rear Body Panel w/Sunroof		43.1
w/o Sunroof		41.8
Add to R&R Quarter Panel To R&I Quarter Glass	R/L	.2



046-01110

1 Panel, Quarter	R 535 809 844 A	#15.0	657.00
	L 535 809 843 A	#14.5	657.00
#Time is to cut through Window Opening, Includes R&R Quarter Glass, Deduct 4.0 w/Roof Removed, Deduction Includes Common Surfaces & Included Operations			
2 Moulding, Side	90-91 R 535 853 538 2BC	.2	46.00
Adhesive Type	L 535 853 537 2BC	.2	46.00
	93-95 R 535 853 538 A 2BC	.2	57.15
	L 535 853 537 A 2BC	.2	34.95
3 Door, Fuel Filler Actuator, Power Lock	535 809 905	.3	57.15
4 Trough, Side Drain	357 862 153 A		39.15
	R 535 809 642 A		183.65
	L 535 809 641 A		73.45
5 Vent, Pressure Release	R/L 191 819 465	#.3	d3.10
#w/Interior Trim Removed			
6 Reinforcement, Pillar	R 535 809 612 A	2.5	291.85
	L 535 809 611 A	2.5	291.85
7 Panel, Inner	90 R 535 809 404 A	6.0	603.00
	L 535 809 403 A	6.0	241.20
	91-95 R 535 809 404 E	6.0	780.00
	L 535 809 403 E	6.0	780.00
8 Wheelhouse, Outer-Serviced w/Inner Panel			
9 Wheelhouse, Inner	90-91 R 535 803 422	s 3.5	368.95
	L 535 803 421	s 3.5	368.95
	92-95 R 535 803 422 B	s 3.5	368.95
	L 535 803 421 A	s 3.5	368.95
10 Reinforcement, Wheelhouse Lower	90-91 R 535 803 428 A		299.75
	L 535 803 427 A		299.75
	92-95 R 535 803 428 C		299.75
	L 535 803 427 C		290.95

INTERIOR TRIM

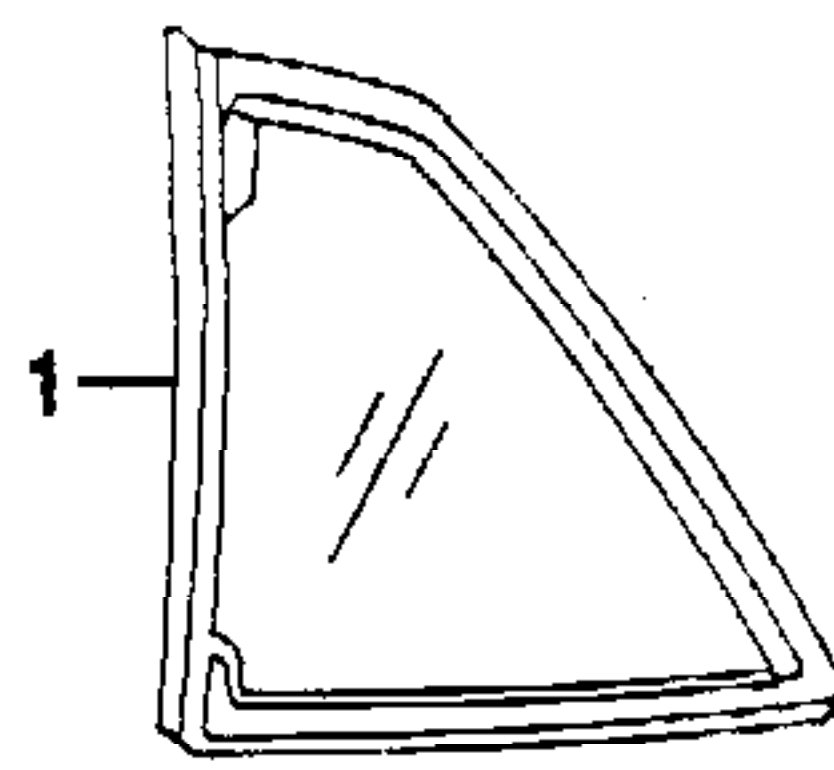


046-01111

1 Panel, Upper Trim	USA	R 535 867 286 C 4FB	#.3	143.45
	Canada	R 535 867 285 A 4FB	#.3	d135.25
		R N.A.	#.3	N.A.
		L N.A.	#.3	N.A.
2 Panel, Lower Trim	Cloth	R 535 867 036 G VV4	#.4	d329.95
	Leather	L 535 867 035 G VV4	#.4	d132.00
		R 535 867 036 A 1BX	#.4	d1095.00
		L 535 867 035 A 1BX	#.4	d1095.00
3 Panel, Rear Trim		R 535 867 288 8FH	#.3	116.30
		L 535 867 287 8FH	#.3	116.30
#R&R One Side Complete .7				
4 Cover, Rear Tray		R 535 867 771 5YV	#.2	307.35
5 Shelf, Outer		R 535 867 762 4FB	#.3	115.95
		L 535 867 761 4FB	#.3	115.95
#R&R Complete .5				
6 Grille, Radio Speaker		R 535 868 148 4FB	.1	41.30
		L 535 868 147 4FB	.1	42.95
Order by Application				
Speaker, Radio		R/L 333 035 411	#.3	32.40
#Includes Radio Speaker Grille				
7 Strap, Retainer		R/L 535 863 447 A		3.00

QUARTER GLASS

R&L Quarter Glass	R/L	#1.7	
#Includes Clean Up Old Adhesive as Necessary			



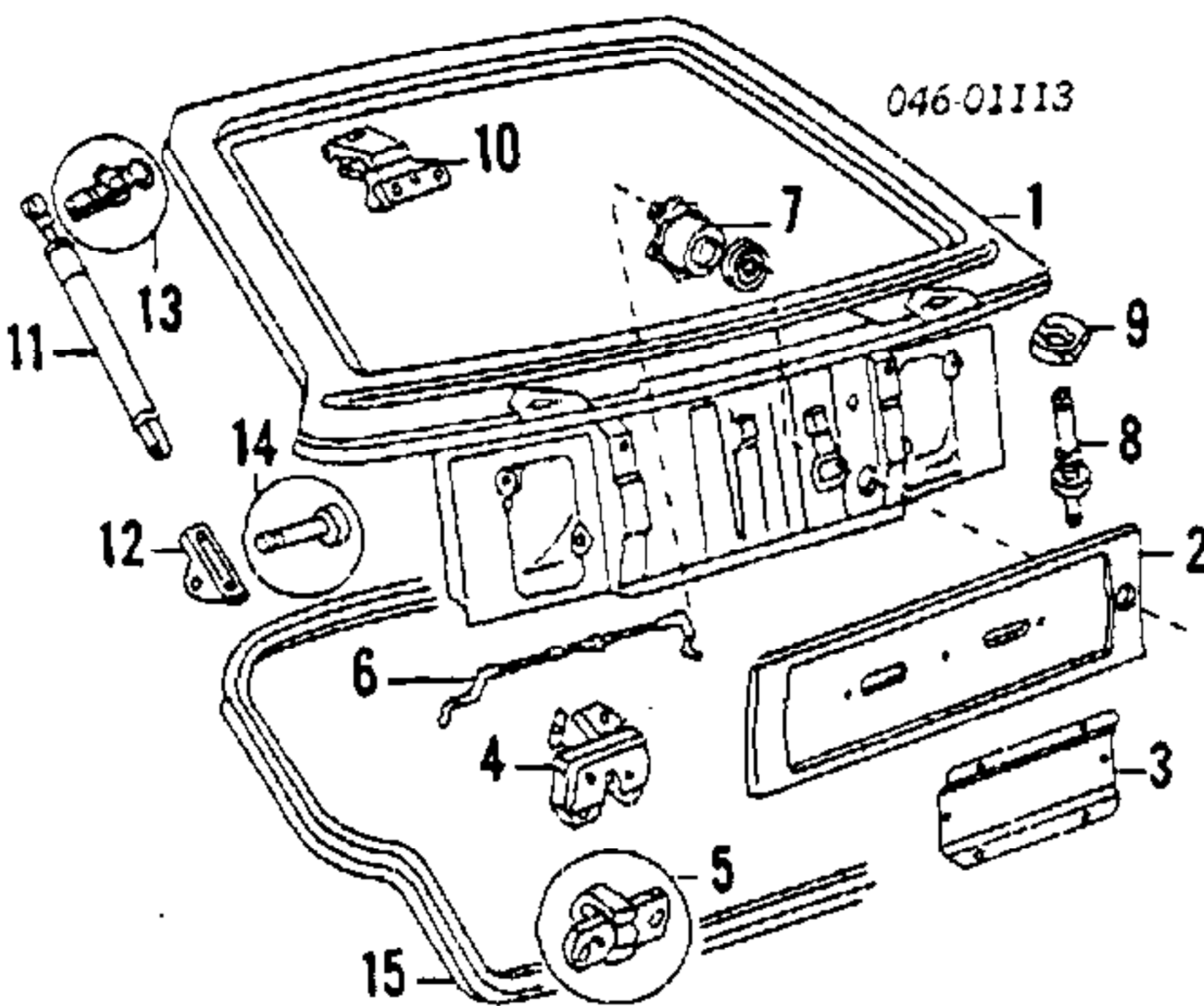
046-01112

1 Glass, Quarter				
Volkswagen-Tinted	R 535 845 042 E	#1.5	293.00	
	L 535 845 041 E	#1.5	293.00	
NAGS-Green	R/L FQ03971-2GTY	#1.5	N.A.	
#Includes Clean Up Old Adhesive as Necessary				

LIFTGATE

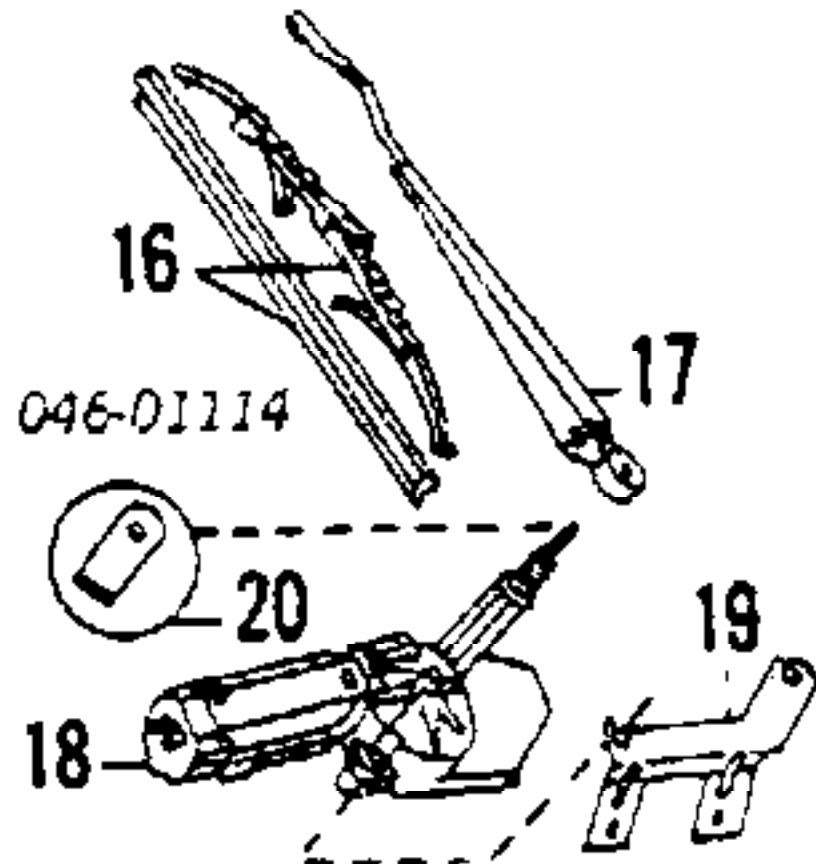
SHEET METAL

Refinish Liftgate Outside		2.1	
Add for Jambes & Interior		1.0	
Refinish Hinge	R/L	.2	
R&L Liftgate		1.0	
Add to R&R Liftgate To Transfer Glass		.6	



046-01113

1 Shell, Liftgate	535 827 025 C	3.5	883.00
2 Panel, License Trim	535 813 989 A	.4	76.80
3 Bracket, License	705 943 199	.2	7.35
4 Latch	333 827 505 B	.3	45.55
5 Striker, Latch	333 827 511	.2	20.60
Actuator, Power Lock	357 862 153 A	.5	39.15
6 Rod, Actuator	535 827 801		16.00
7 Cylinder, Lock w/Power Lock			
	w/Alarm	535 827 571 G	#.3 89.65
	w/o Alarm	535 827 571 F	#.3 87.30
	w/o Power Lock	535 827 571 E	#.3 51.70
#Does Not Include Recode			
8 Fastener, Lock (1)	535 827 761		10.80
9 Plate, Threaded	535 827 765		6.50
10 Hinge, Liftgate	R 535 827 302	#.3	74.50
	L 535 827 301	#.3	74.50
#w/Headliner & Liftgate Removed, R&R Both .5			
11 Stay, Spring Support	R/L 535 827 550 A	.3	56.60
12 Bracket, Stay	R/L 533 827 331		7.40
13 Ball Stud, Stay	R/L 533 827 345 C		5.25
14 Pin, Lower	R/L 533 827 345		3.65
15 Weatherstrip	535 827 705 B	.6	122.85



046-01114

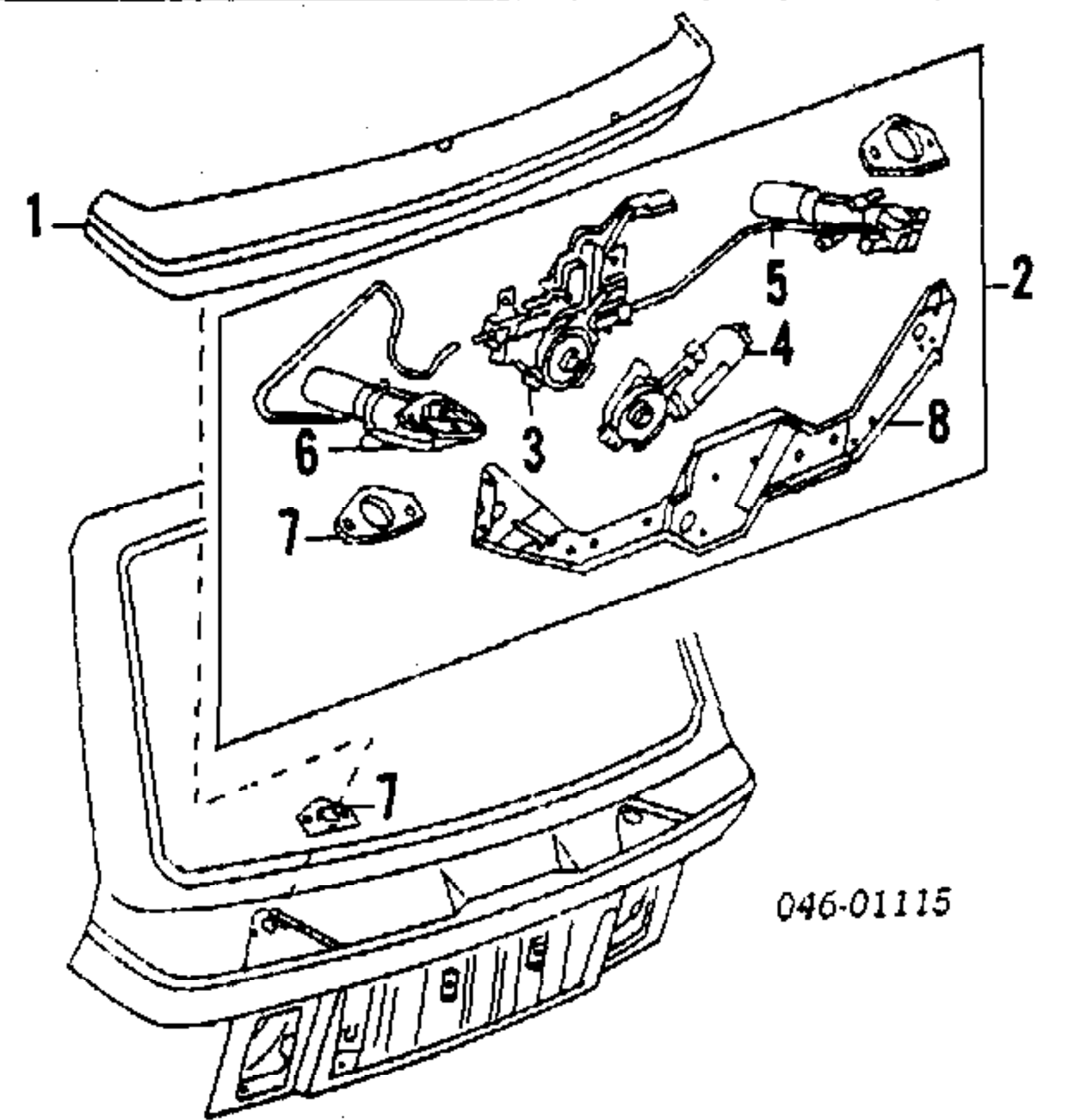
16 Blade, Wiper	1H0 955 427	.1	15.05
17 Arm, Wiper	535 955 707	#.2	19.40
#Includes R&R Blade			
18 Motor, Wiper	535 955 713 A	1.6	171.70
19 Bracket, Motor	535 955 717		d10.55
20 Nozzle, Washer	535 955 985		7.75

SPOILER

Refinish Spoiler	1.0
------------------	-----

Illustration Located in Next Column

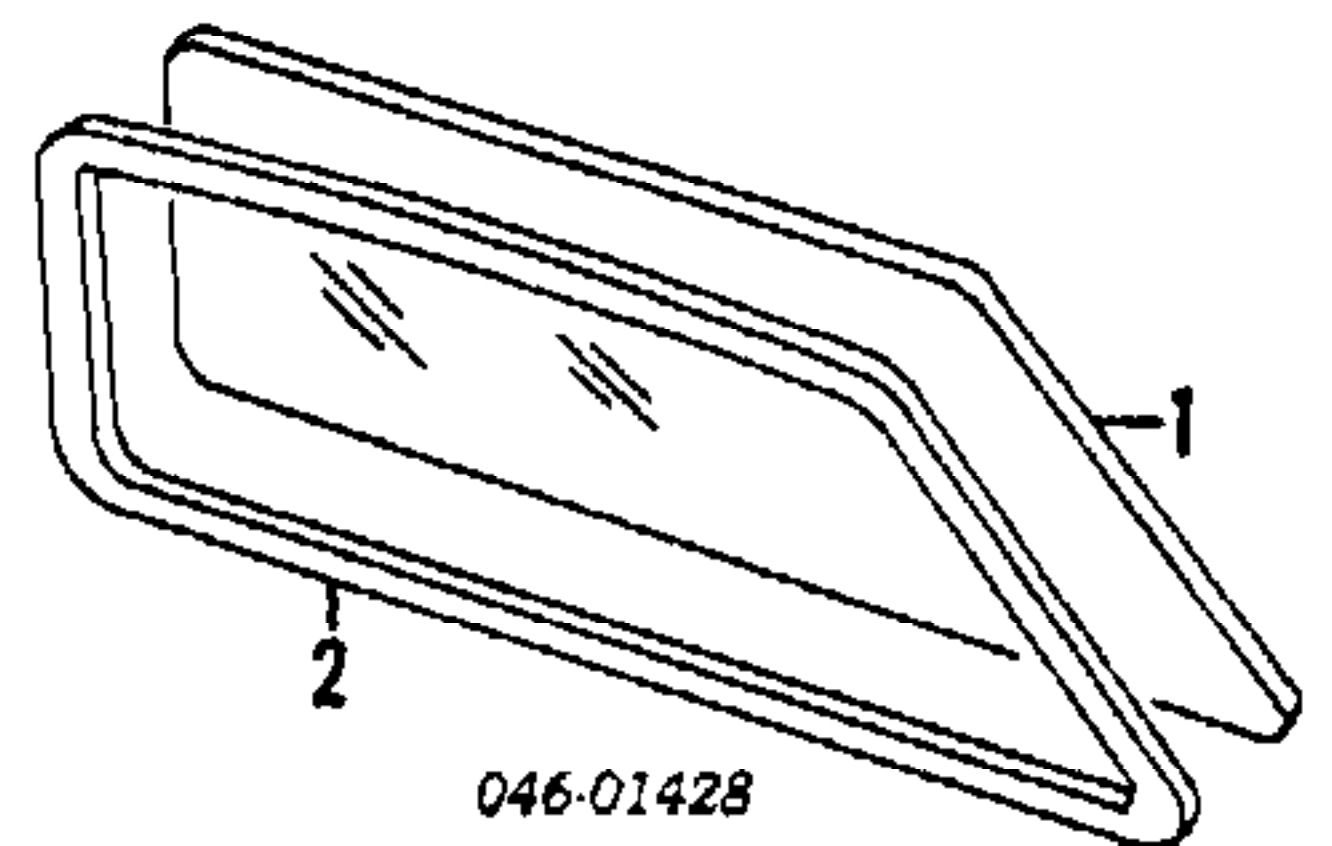
1 Spoiler, Primed (P)	535 827 933 GRU	#.4	438.10
#Included in R&R Height Adjuster Assy (P) Paint to Match			
2 Adjuster Assy, Height	535 827 851	#2.0	798.00
#Includes R&L of Necessary Trim & Spoiler			



046-01115

3 Transmission	535 827 861	#.5	158.40
4 Motor, Adjuster	535 827 857	#.6	305.90
5 Cable, Guide	R 535 827 886	#.3	169.05
	L 535 827 885	#.3	169.05
6 Bracket	R/L 535 827 887	#.4	149.70
#w/Trim Removed			
7 Cover, Friction Pad	R/L 535 827 881		69.20
8 Brace, Serviced w/Adjuster Assy			
Included w/Height Adjuster Assy			

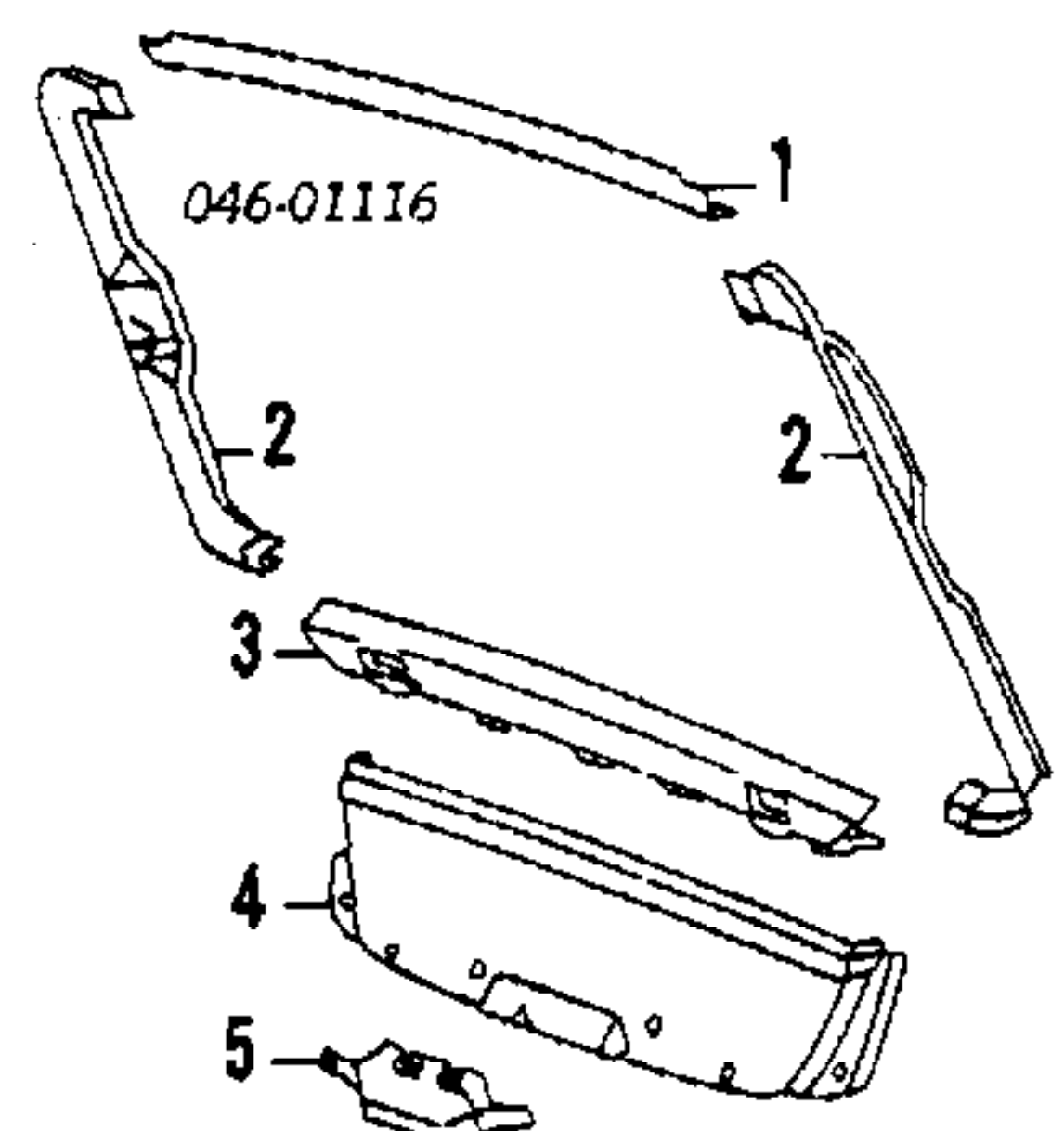
GLASS & PARTS



046-01428

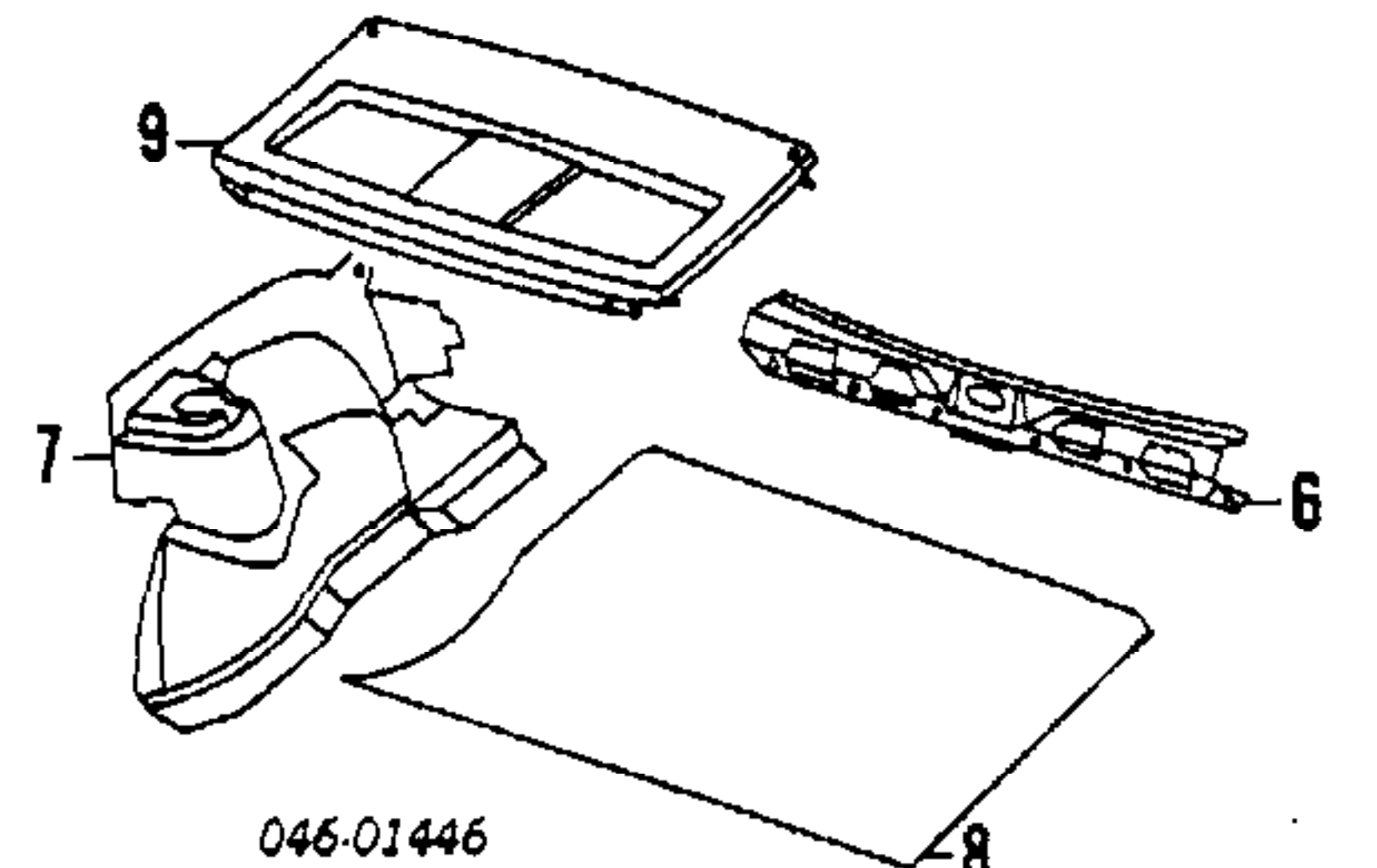
1 Glass, Rear Gate			
Volkswagen-Tinted/Heated	535 845 501 A	2.5	491.80
NAGS-Green/Heated	FB03973GTN	2.5	1215.25
Sealant, 2K Adhesive	D 009 100		d36.85
2 Moulding, Rubber	535 853 355 A 01C		63.65

INTERIOR TRIM



046-01116

Panel, Window Frame			
1 Upper	535 867 602 4FB	#.2	95.40
2 Side	R 535 867 588 4FB	#.2	d54.85
	L 535 867 587 4FB	#.2	54.85
3 Panel, Trim Upper	535 867 591 4FB	#.2	105.45
#R&R Complete .5			
4 Panel, Trim Lower	535 867 592 4FB	.3	131.40
5 Cover, Lower Panel	535 867 601 4FB	.1	33.20
Black listed, Order by Application			



046-01446

6 Cover, Lock Carrier	535 863 485 8BM	.2	68.60
Panel, Luggage Compartment			
7 Side	R 535 863 508 C 8DV	.4	98.95
	L 535 863 507 C 8DV	.4	d81.65
8 Lower	535 863 463 C 8DV	.2	d88.00
Order by Application			
9 Cover, Upper-See Quarter Trim Section			

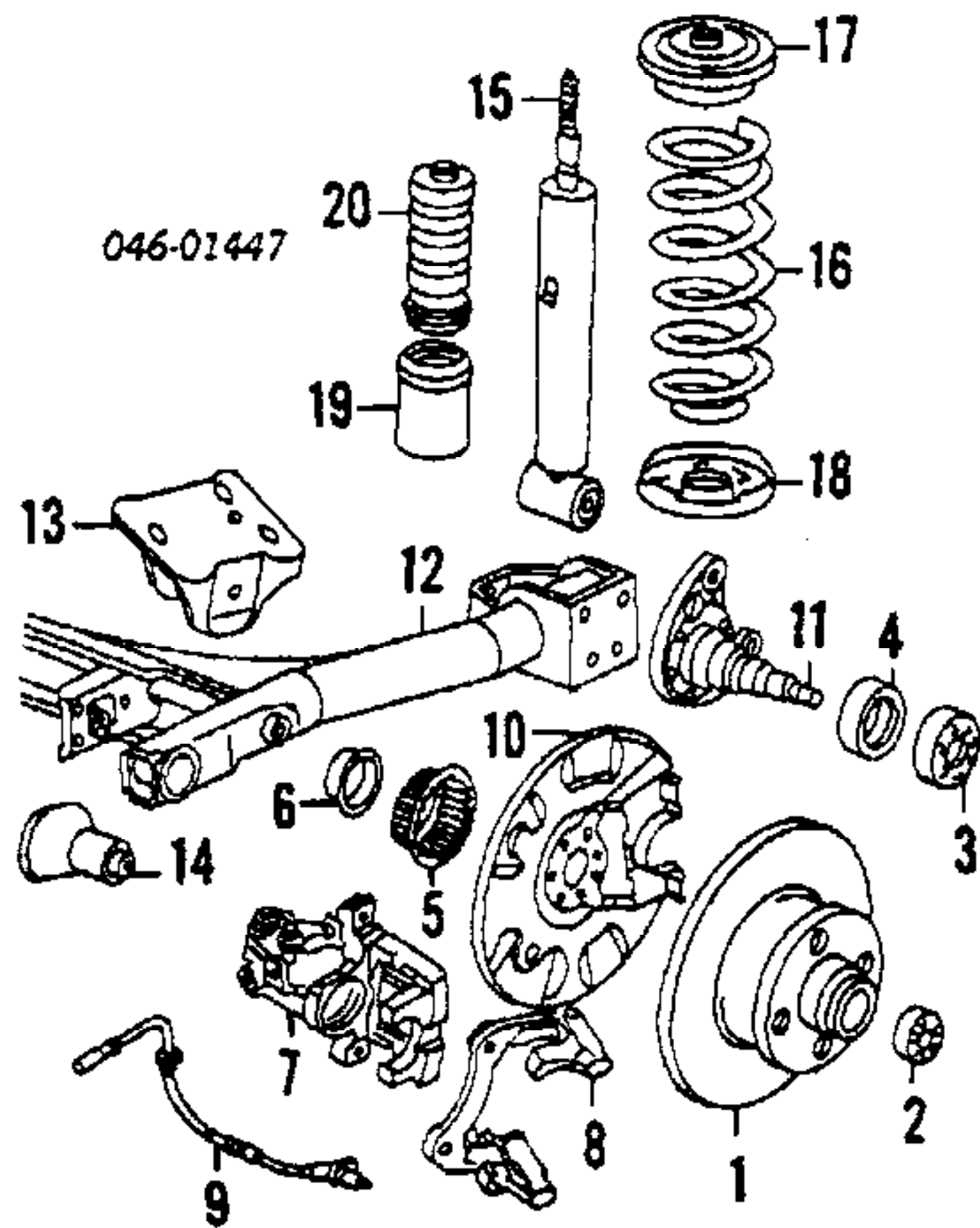
VW CORRADO 1990-95

REAR SUSPENSION

R&I Suspension & Rear Axle Beam	m	2.0
Check Rear Alignment	m	.8
Add to Adjust Front Alignment	m	1.0
Bleed Brake System		
w/ABS	m	.4
w/o ABS	m	.3

NOTE 1: R&I/R&R or O/H Does Not include alignment or bleed brake system.

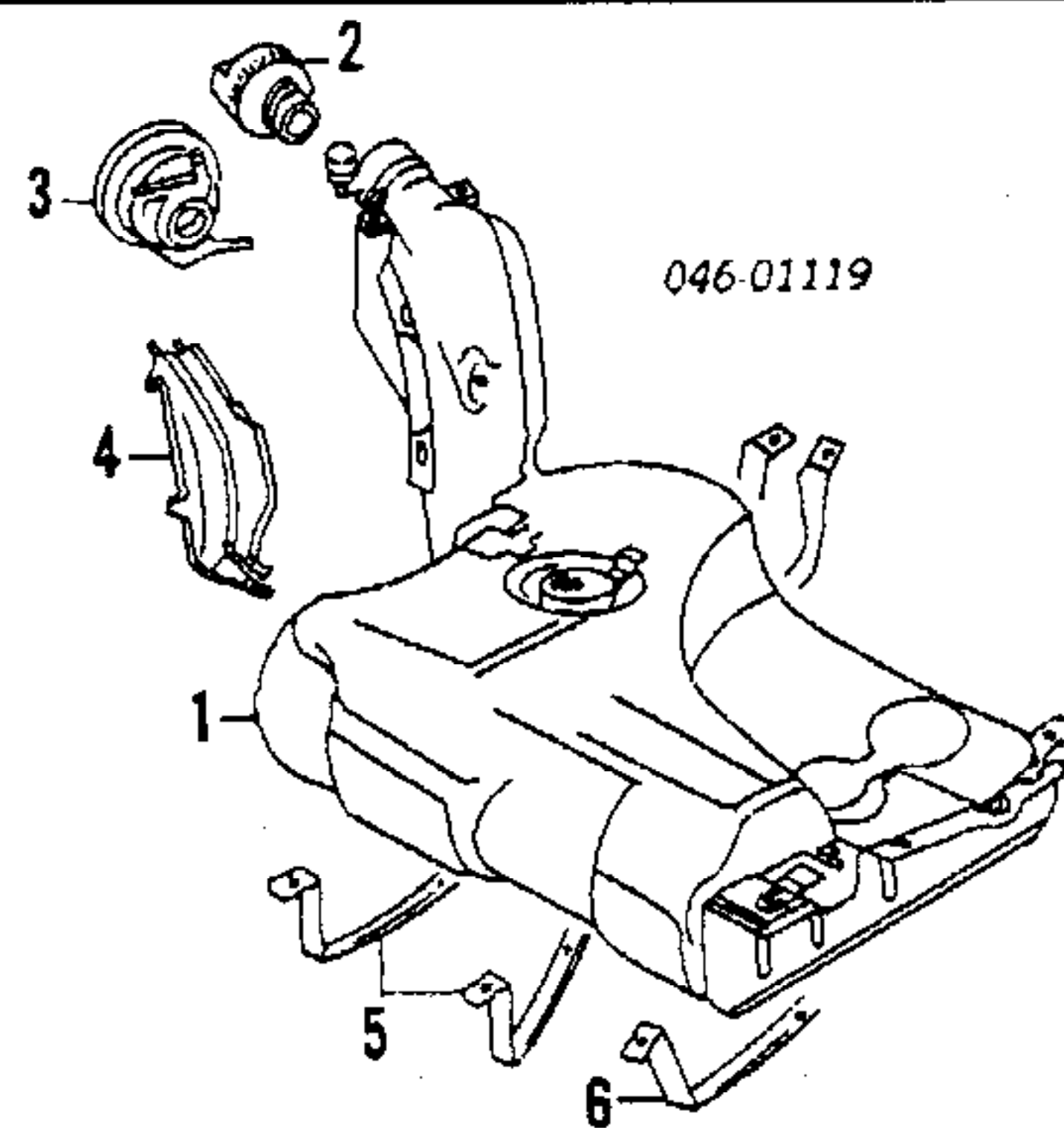
NOTE 2: Refer to Special Cautions Section at the beginning of this vehicle text.



1 Rotor, Brake					
4 Cyl	R/L	357 615 601	m	#1.1	74.60
V6	R/L	357 615 601 B	m	#1.1	84.00
2 Bearing, Outer	R/L	311 405 645	m	#1.1	11.80
3 Bearing, Inner	R/L	311 405 625 B	m	#1.1	12.00
4 Seal, Grease	R/L	357 501 641 B	m	#1.1	3.90
#R&R One Side Complete, Both Sides 2.0					
5 Rotor, ABS Impulse	R/L	1J0 614 149	m	1.3	16.55
6 Cover, Hub					
w/ABS	R/L	191 501 639 B	m		3.05
w/o ABS	R/L	191 501 639 A	m		1.40
7 Caliper w/o Pads	R	535 615 424 X	m	#.6	300.00
	L	535 615 423 X	m	#.6	260.00
#Both Sides 1.0					
8 Carrier, Caliper	R	1H0 615 426	m	#.2	84.00
	L	1H0 615 425	m	#.2	84.00
#w/Rotor & Caliper Removed, Both Sides .3					
9 Sensor, Speed (ABS)-See ABS Section					
10 Shield, Splash	R	191 615 612 B	m	#.2	20.00
	L	191 615 611 D	m	#.2	16.50
#w/Rotor, Bearings, Seals, Carrier & Caliper Removed					
Hose, Brake	R/L	893 611 775 A	m	#.3	29.50
#w/Caliper Removed .1					
11 Axle, Stub					
w/ABS	R	333 501 118	m	#1.3	144.80
	L	333 501 117	m	#1.3	144.80
w/o ABS	R	333 501 118	m	#1.3	144.80
	L	333 501 117	m	#1.3	144.80
#R&R Both Sides 2.2, Includes R&R Splash Shields, Bearings, Seals, Hubs & Rotors					
12 Beam, Axle					
1990					
To 7-31-89		191 500 051 J	m	#5.6	566.00
From 8-1-89		191 500 051 J	m	#5.6	566.00
1991		191 500 051 M	m	#5.6	557.00
1992-94		1H0 500 051 G	m	#5.6	459.85
1995		1H0 500 051 Q	m	#5.6	480.95
13 Mount, Beam					
4 Cyl	R	191 501 546	m	#5.6	27.60
	L	191 501 544	m	#5.6	63.05
V6	R	1H0 501 544	m	#5.6	63.05
	L	191 501 544	m	#5.6	63.05
14 Bushing, Mount					
4 Cyl	R/L	191 501 541	m	#5.6	33.90
V6	R/L	1H0 501 541 A	m	#5.6	25.70
#R&R Complete, Includes R&R Splash Shields, Bearings, Seals, Hubs, Rotors & Stabilizer Bar					
15 Absorber, Shock					
4 Cyl	R/L	191 513 033 J	m	#.8	74.20
V6	R/L	1H0 513 031 F	m	#.8	143.65
16 Spring, Coil					
90-91	R/L	191 511 115 F	m	#.8	93.90
92-95	R/L	1H5 511 115 K	m	#.8	96.70
Seat, Spring					
17 Upper	R/L	191 512 113	m	#.8	9.55
18 Lower	R/L	3A0 512 103	m	#.8	13.25
19 Stop, Rubber					
4 Cyl	R/L	191 512 131 B	m	#.8	19.00
V6	R/L	1H0 512 131 C	m	#.8	24.40
20 Boot, Shock Dust	R/L	191 513 425	m	#.8	2.20
#R&R Complete, Both Sides 1.4, w/Axle Beam Removed .3					

FUEL TANK

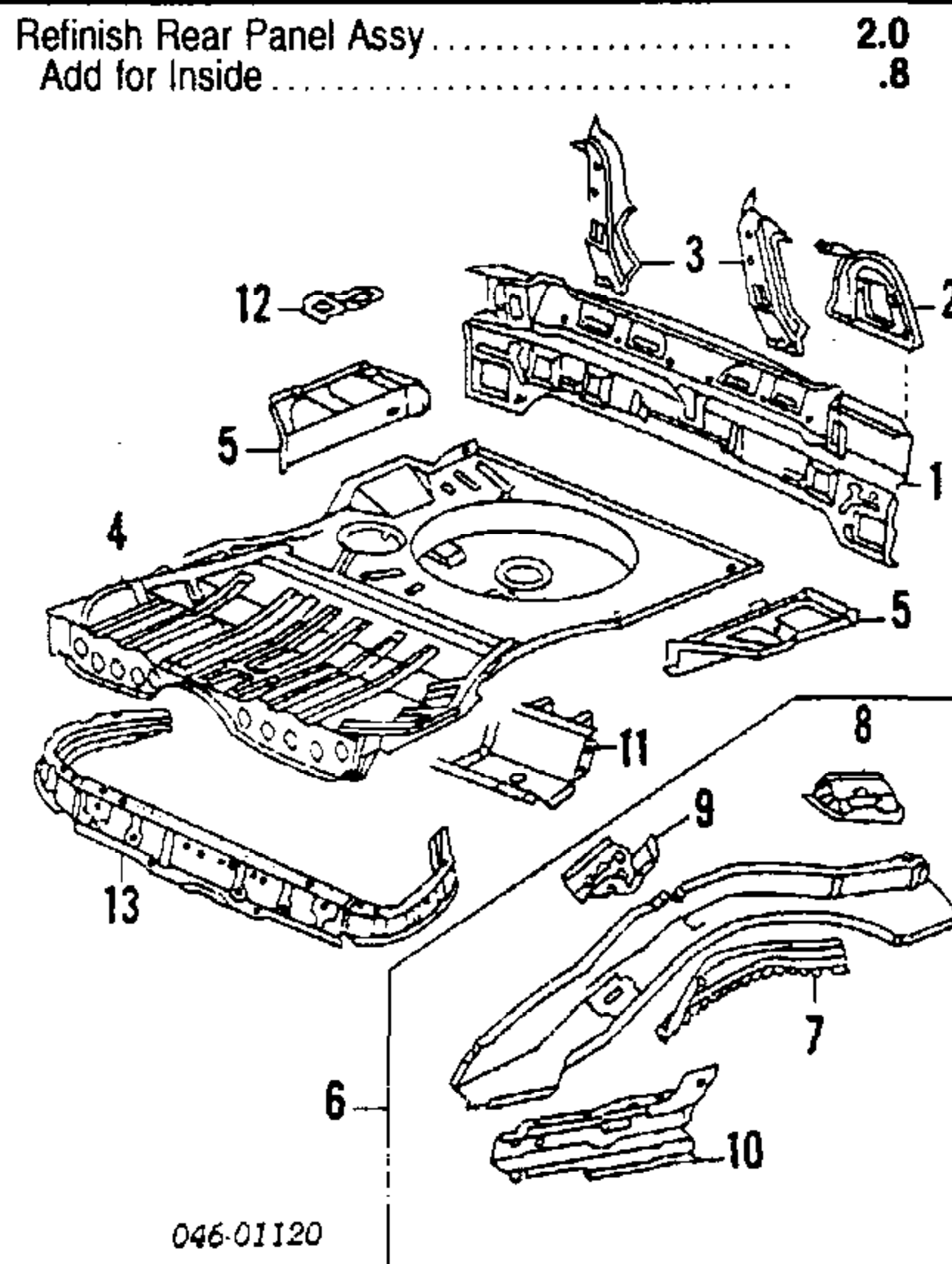
NOTE: R&R Does Not include drain fuel.



1 Tank, Fuel					
1990-91					
To VIN L-005732		535 201 075 K	m	1.6	385.00
From VIN L-005733		535 201 075 P	m	1.6	440.05
1992-95		535 201 075 AF	m	1.6	467.50
2 Cap, Filler					
w/Power Locks		1H0 201 553 B			6.50
w/o Power Locks		1H0 201 551			39.10
Order by Application					
3 Retainer, Cap		535 201 253			14.60
4 Tank, Expansion Gauge, Tank Unit					
1990-91					
To VIN L-005732					
1 Piece Assy		191 919 051 BA	m	#.7	129.60
From VIN L-005733					
2 Piece					
Flange		1H0 919 679 C	m	#.7	94.20
Sender Float		1H0 919 673 H	m	#.7	192.80
1992-95					
2 Piece					
Flange		535 919 679	m	#.7	222.50
Sender Float		535 919 673 B	m	#.7	205.10
#R&R One or Both					
Pump, Fuel					
In Tank					
To VIN L-005732		357 906 092 C	m	1.1	70.00
From VIN L-005733		1H0 919 087 D	m	1.1	553.00
In-Line		191 906 090	m	.5	343.80
Strap, Tank Support					
5 Right (2)	90-91	1H0 201 654 C			19.05
	92-95	535 201 654			31.20
6 Left	90-91	1H0 201 653 F			19.05
	92-95	535 201 653			31.20

REAR BODY

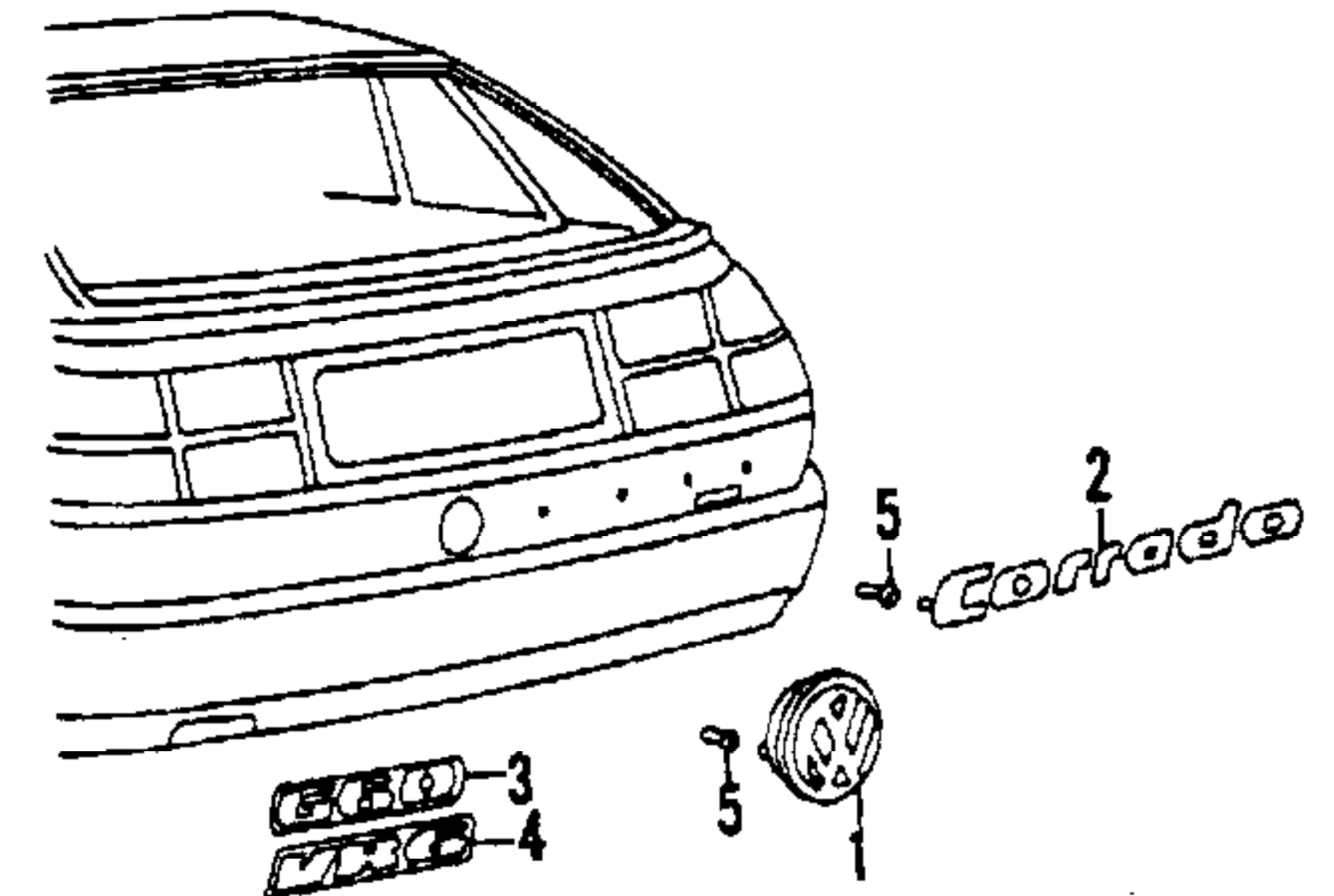
SHEET METAL



1 Panel, Rear Body		535 813 303 A	#9.0	481.35
#Deduct 2.0 for Each Quarter Removed, Deduction Includes Common Surfaces & Included Operations				
2 Panel, Lamp Mount	R	535 813 328	#1.0	202.25
	L	535 813 327	#1.0	202.25
3 Reinforcement, Side	R	535 813 342	#1.0	177.40
	L	535 813 341	#1.0	177.40
#R&R Both One Side 1.5				
4 Pan, Rear Floor				
1990-91		191 813 115	#18.0	283.25
1992-95				
Front		535 813 115	#18.0	217.85
#w/Rear Body Panel Removed, Deduct 2.5 for Each Inner Wheelhouse or Sidemember Removed				
Rear		535 813 116	#10.5	248.60
#w/Rear Body Panel Removed, Deduct 1.5 for Each Inner Wheelhouse Removed				

5 Reinf, Rear	R	535 813 222 A	#5.0	84.05
	L	535 813 221 A	#5.0	84.05
#Deduct 1.5 w/Rear Floor Pan Removed				
6 Sidemember Assy	90-91	R 535 803 498	s	#7.5 262.65
		L 535 803 501 A	s	#7.5 238.70
	92-95	R 535 803 498	s	#7.5 262.65
		L 535 803 501 A	s	#7.5 238.70
#w/Necessary Bolted Parts Removed, Includes R&R Axle Mount Bracket				
7 Reinf, Member	R	535 803 520	s	367.75
	L	535 803 519	s	367.75
8 Reinf, Bumper Mount	R	1H6 813 126 B	s	35.45
	L	1H6 813 125 A	s	34.45
9 Bracket, Axle Mount	R	191 803 514 C	s	42.40
	L	191 803 513 C	s	12.80
10 Bracket, Lower	R	191 813 120 C	s	33.05
	L	191 813 119 C	s	33.05
Included w/Sidemember Assy				
11 Crossmember, Floor		191 803 531 A	4.5	171.85
12 Hook, Tow				
USA		535 803 612		8.75
Canada		N.A.		N.A.
13 Support, Seat		1GM 813 141		107.25

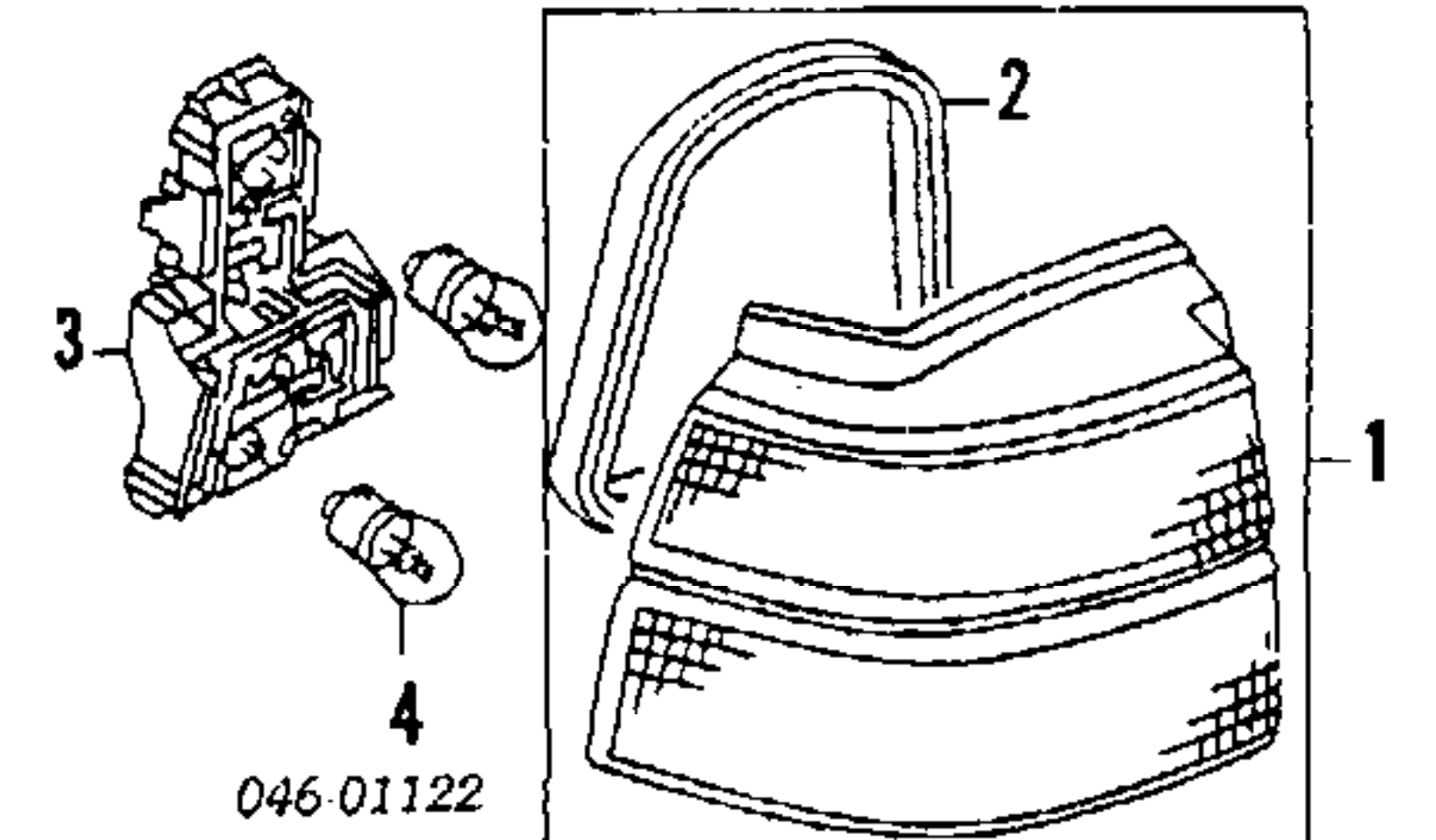
EXTERIOR TRIM



1 Emblem, VW		357 853 601 WM7	.2	16.60
2 Nameplate				
"Corrado"		535 853 687 GRU	#.2	20.30
"G60"		357 853 675 QN5	#.2	10.25
"SLC"		535 853 675 C Z53	#.2	d32.55
"VR6"		357 853 675 B QN5	#.2	d13.40
#R&R One or All				
5 Grommet, Nameplate		191 853 615 A		.73

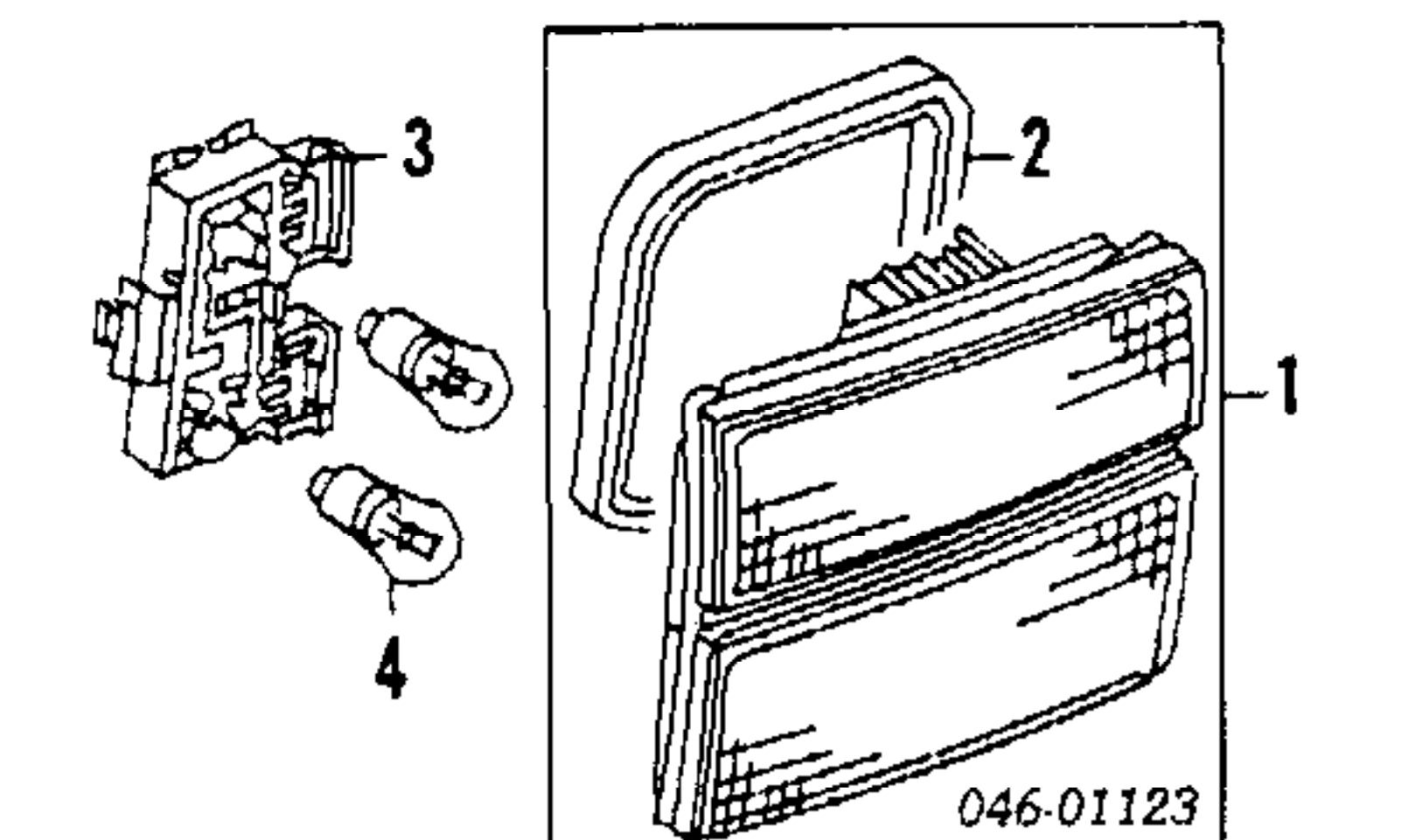
REAR LAMPS

COMBINATION LAMP ON QUARTER PANEL



1 Lens & Housing Assy	R	535 945 112 A	.4	128.30
	L	535 945 111 A	.4	128.30
2 Seal, Lens (a)	R/L	1H5 945 191		7.65
Included w/Lens & Housing Assy (a) Cut to Fit				
3 Holder, Bulb	R	535 945 258	#.4	22.80
	L	535 945 257	#.4	22.80
Included in R&R Lens & Housing				
4 Bulb				
Signal	R/L	N 017 732 2	#.3	1.30
Stop	R/L	N 017 738 2	#.3	1.90
#R&R One or Both				

COMBINATION LAMP ON LIFTGATE

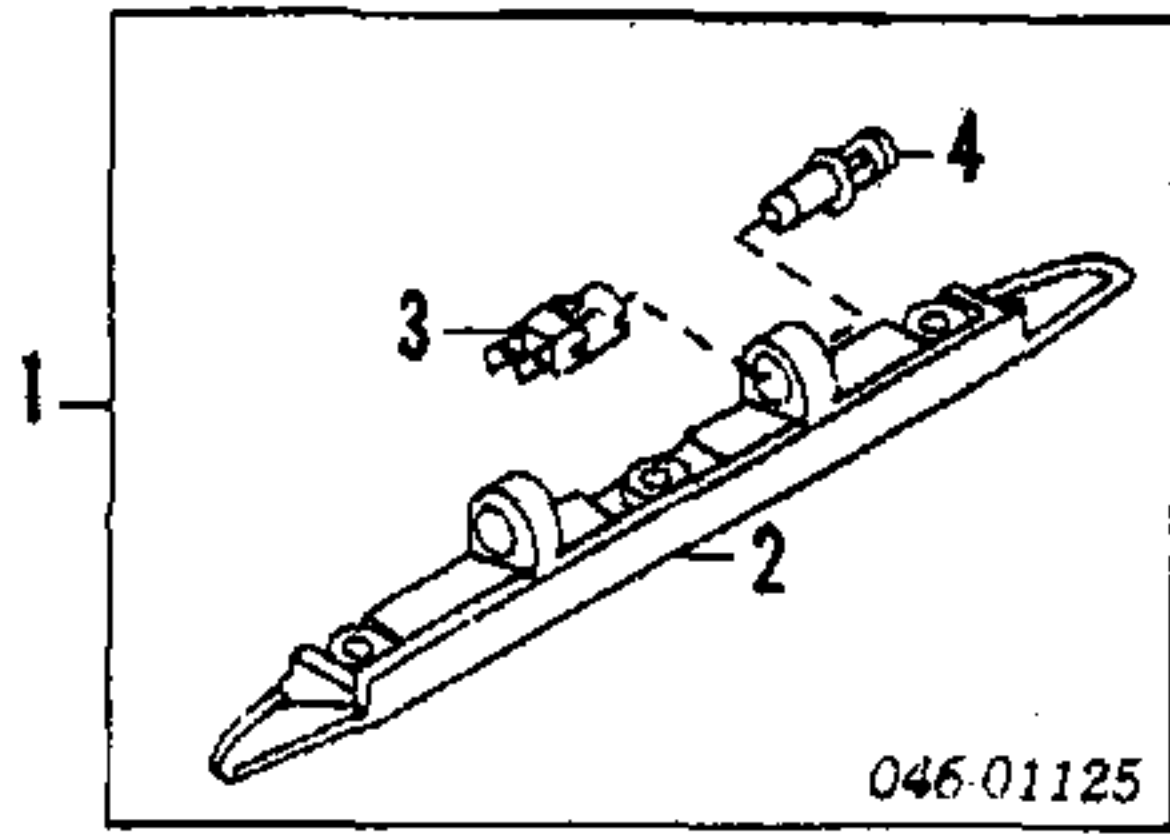


1 Lens & Housing Assy	R	535 945 108	.4	94.85
	L	535 945 107 A	.4	94.85
2 Seal, Lens (a)	R/L	1H5 945 191		7.65
Included w/Lens & Housing Assy (a) Cut to Fit				
3 Holder, Bulb	R/L	321 945 259		14.95
4 Bulb, Tail/Back-Up	R/L	N 017 732 2	.3	1.30

VW CORRADO 1990-95

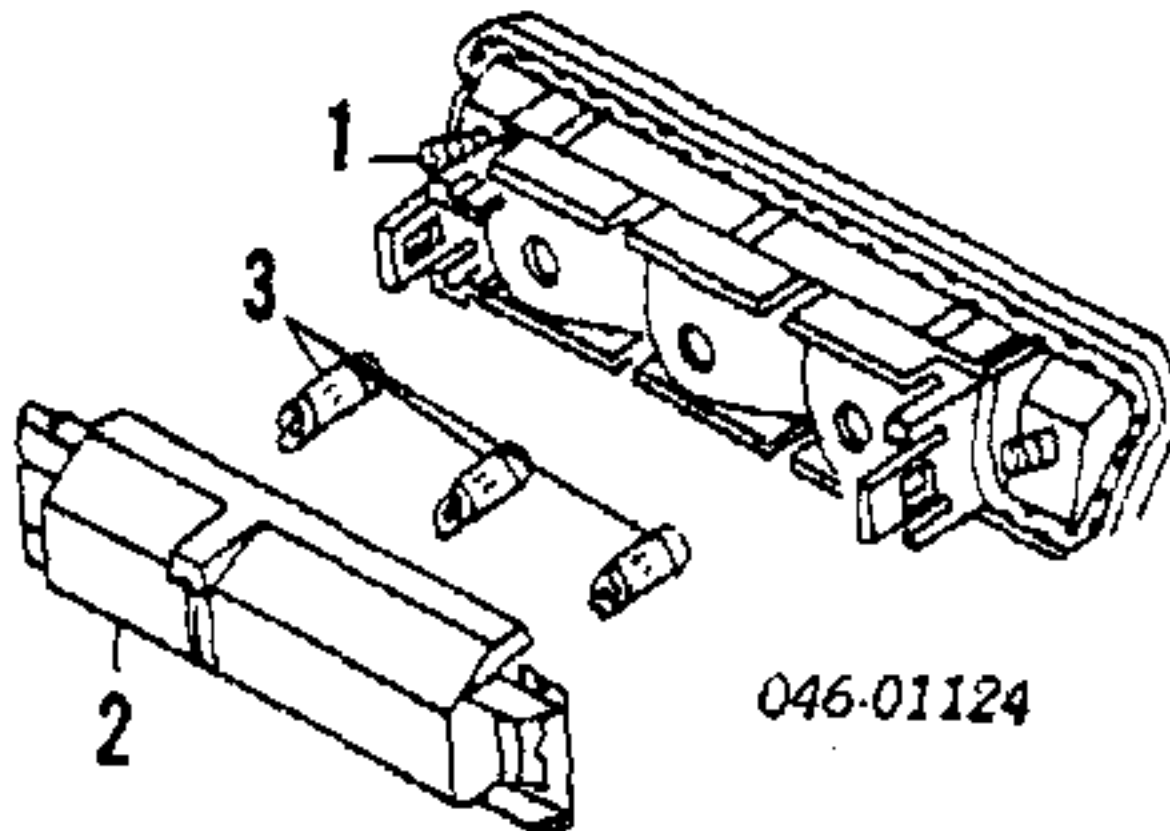
LICENSE LAMP

Refinish Lamp Cover..... .4



1 Lamp Assy	535 943 105	.3	30.65
2 Cover (P) (Primed)	535 943 127		10.65
	(P) Paint to Match		
3 Socket	161 949 111		2.70
4 Bulb	N 017 753 2		1.30
	¶Included w/Lamp Assy		

STOP LAMP HIGH MOUNT MOUNTED ON LIFTGATE



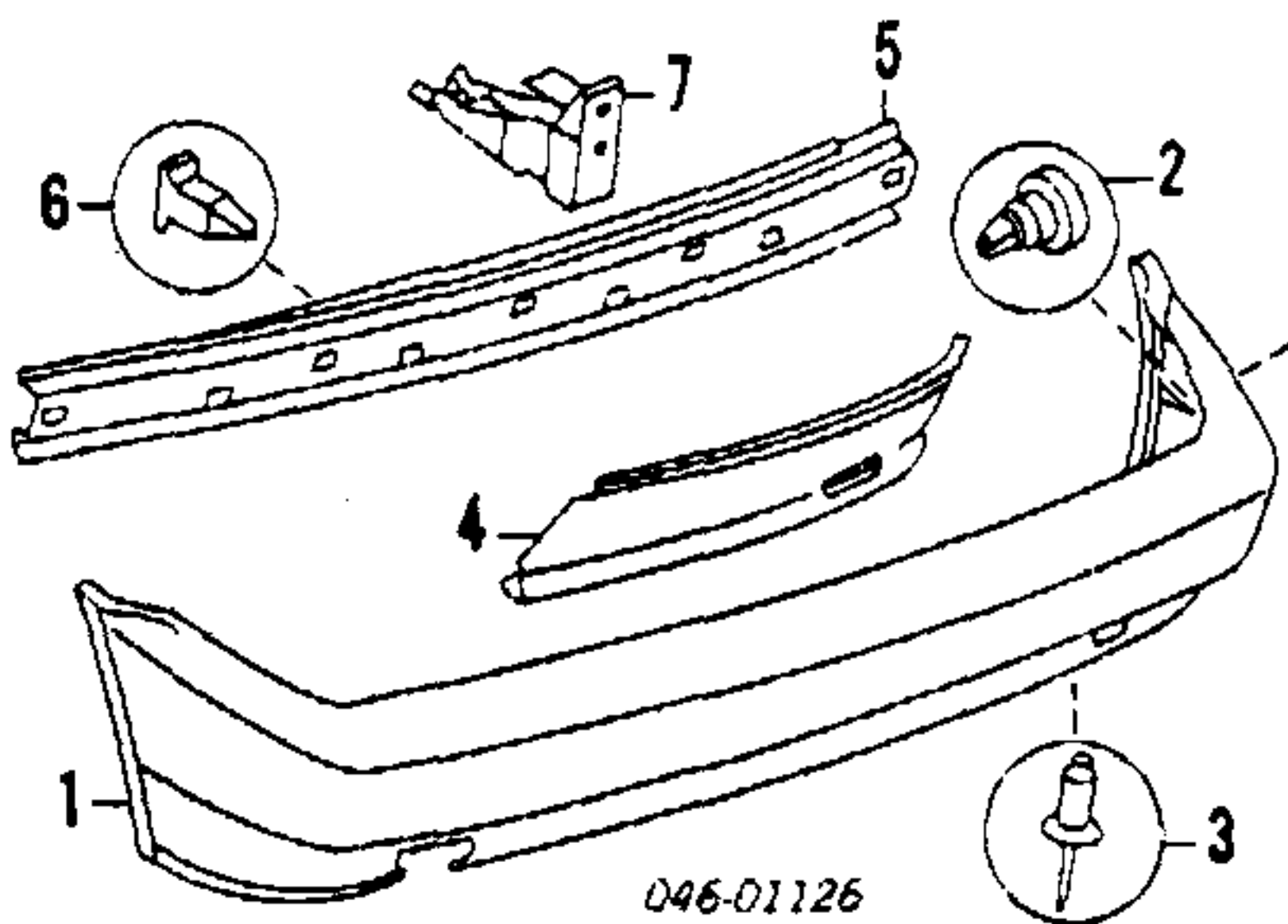
1 Lamp	535 945 131	.3	38.30
2 Housing w/Bulb Holder	535 945 121		25.95
3 Bulb	N 017 753 2		1.30

REAR BUMPER

Use Procedure Explanations 27 and 28 with the following text.

Refinish Rear Cover	2.5
R&I Bumper Assy8
O/H Bumper Assy (Includes R&I)	1.5

NOTE: All Parts in this section are included in overhaul unless noted otherwise.



1 Cover, Rear (P)	90-91	535 807 417 B GRU	1.5	484.95
	92-95	535 807 417 F GRU	1.5	545.00
	(P) Paint to Match			
2 Retainer, Cover	R/L	191 807 193 01C		2.45
3 Rivet, Cover (5)		N 016 194 3	IOH	.67
4 Plate, Heat Protection		535 807 517	IOH	38.30
5 Bar, Reinf		535 807 305	IOH	215.20
6 Clip, Retainer (9)		535 807 538		1.00
7 Bracket, Support	R	535 807 332	IOH	74.35
	L	535 807 331	IOH	74.35

Converted to PDF by Zac Tice
caudex@comcast.net