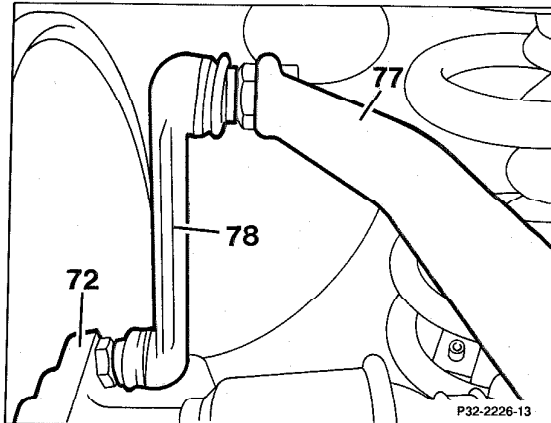


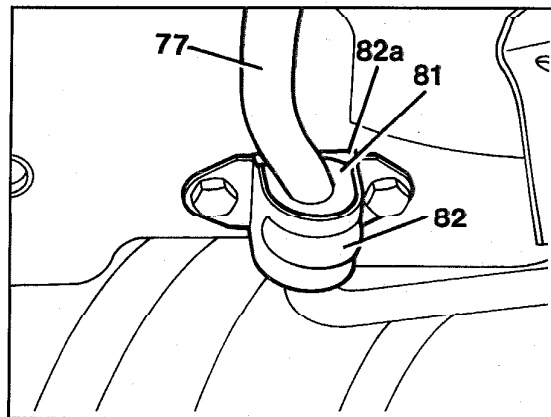
## 32-310 R and R rear stabilizer bar

- 3 Remove stabilizer bar links (78) on left and right sides of stabilizer bar (77).



P32-2226-13

- 4 Remove retaining brackets (82) for stabilizer bar mount on left and right sides on frame floor. Remove retaining plates (82a) and rubber bushings (81) from stabilizer bar.



P32-2227-13

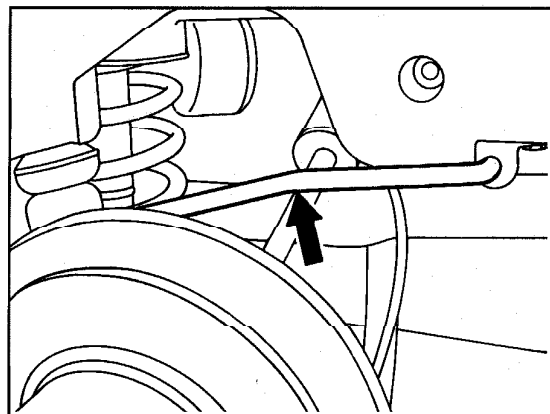
- 5 Unhook rubber rings for rear exhaust mount, lower exhaust pipes slightly and support.

- 6 Remove stabilizer bar toward right.

- 77 stabilizer bar
- 81 Rubber mount
- 82 Retaining bracket
- 82a Retaining plate

### Installation

- 7 Check rubber bushings for stabilizer bar mounts and links, replace, if required.
- 8 Position stabilizer bar so that stabilizer bar arm offset points upward (arrow). Attach rubber bushings to stabilizer bar.



P32-2235-13