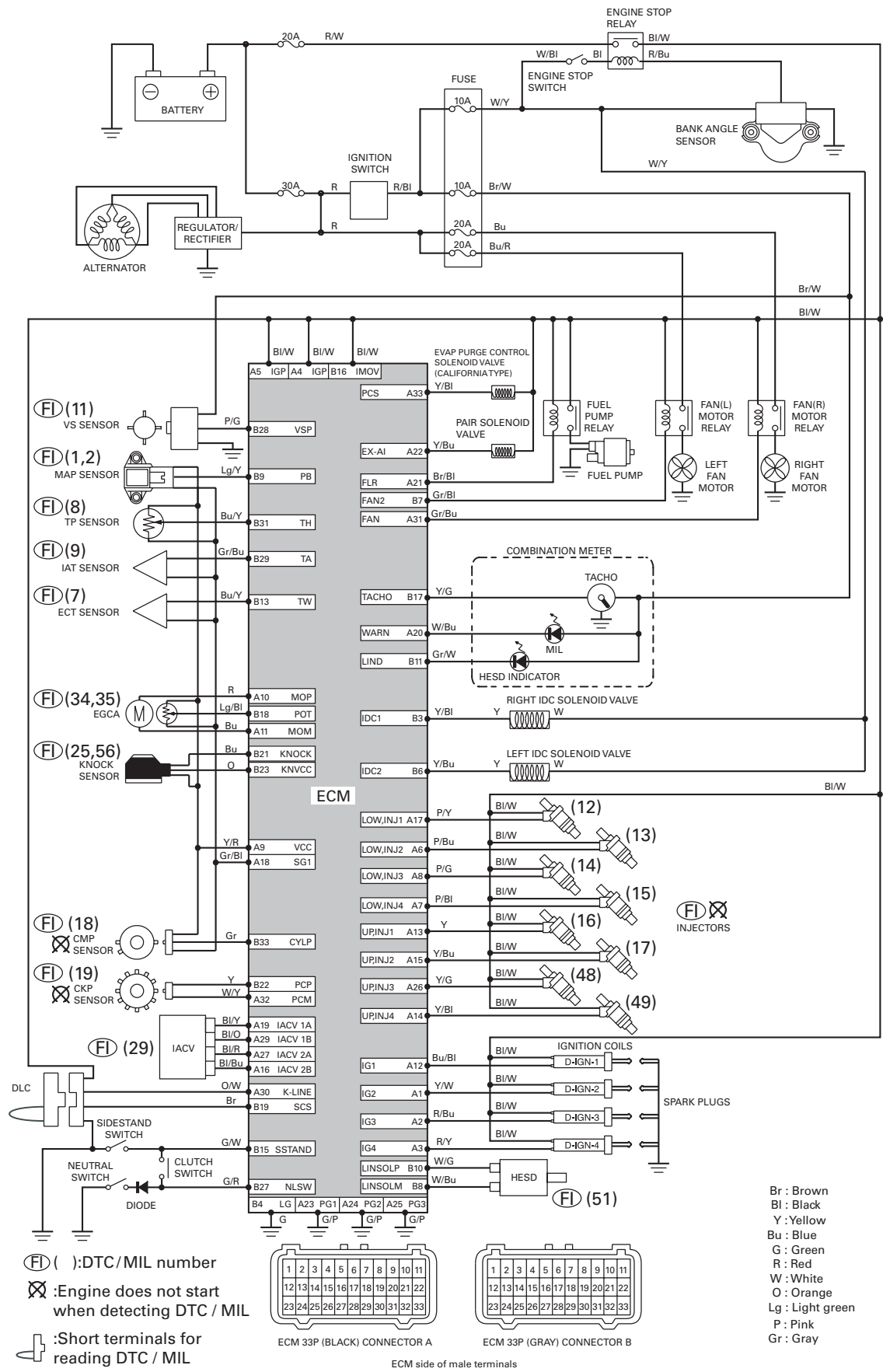


# PGM-FI SYSTEM DIAGRAM



Br : Brown  
 Bl : Black  
 Y : Yellow  
 Bu : Blue  
 G : Green  
 R : Red  
 W : White  
 O : Orange  
 Lg : Light green  
 P : Pink  
 Gr : Gray

(FI) ( ): DTC/MIL number  
 ⊗ : Engine does not start when detecting DTC / MIL  
 ↪ : Short terminals for reading DTC / MIL