

COPY

SHEET INDEX

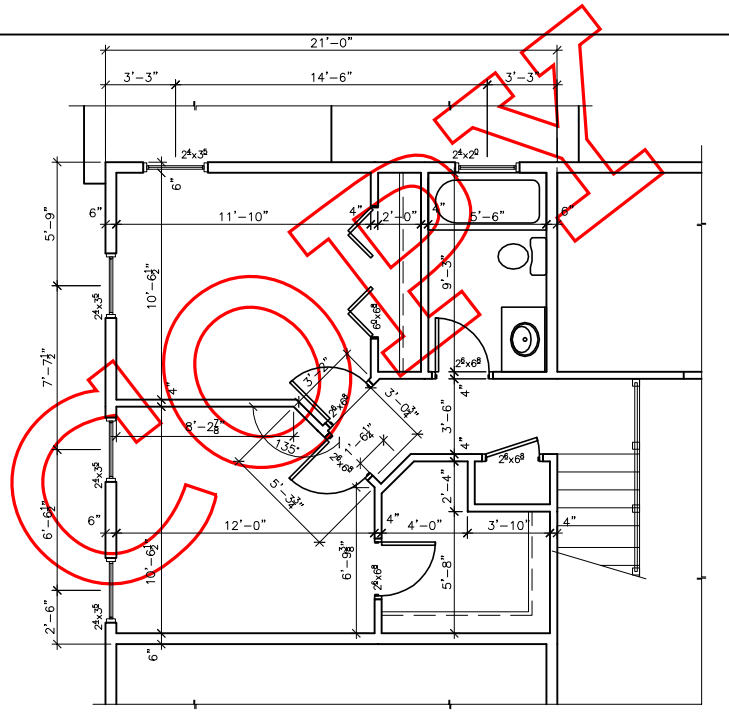
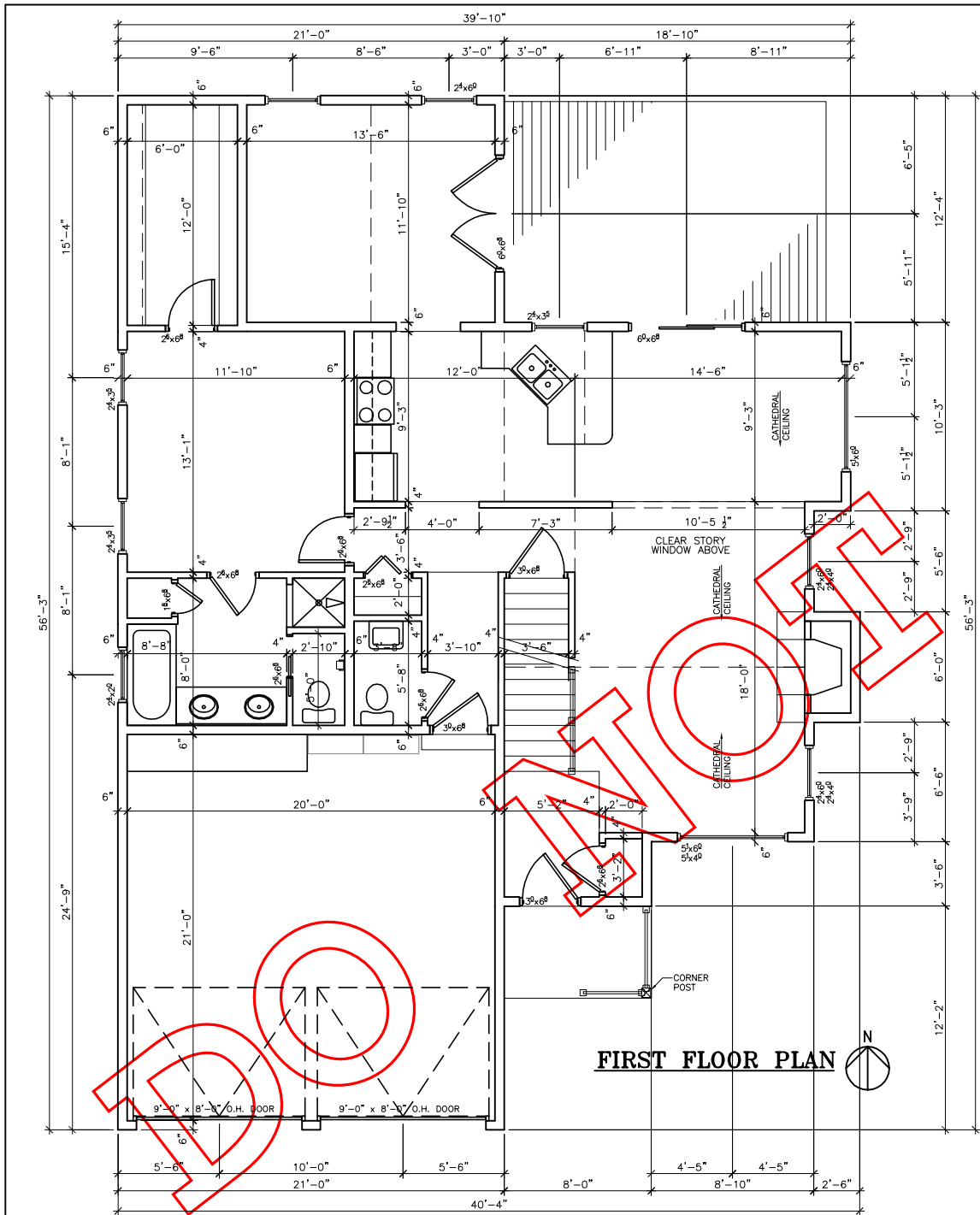
A1.0	FOUNDATION PLAN / ROOF PLAN
A2.0	FIRST & SECOND FLOOR PLAN
A3.0	EXTERIOR ELEVATIONS

FOUNDATION PLAN
SCALE: 1/4" = 1'-0"



FOUNDATION PLAN/ROOF PLAN

CLIENT:	DATE: 01/18/05	FILE:
	SCALE: AS NOTED	SHEET:
	DRAWN: JSM	A1.0
	PN.:	

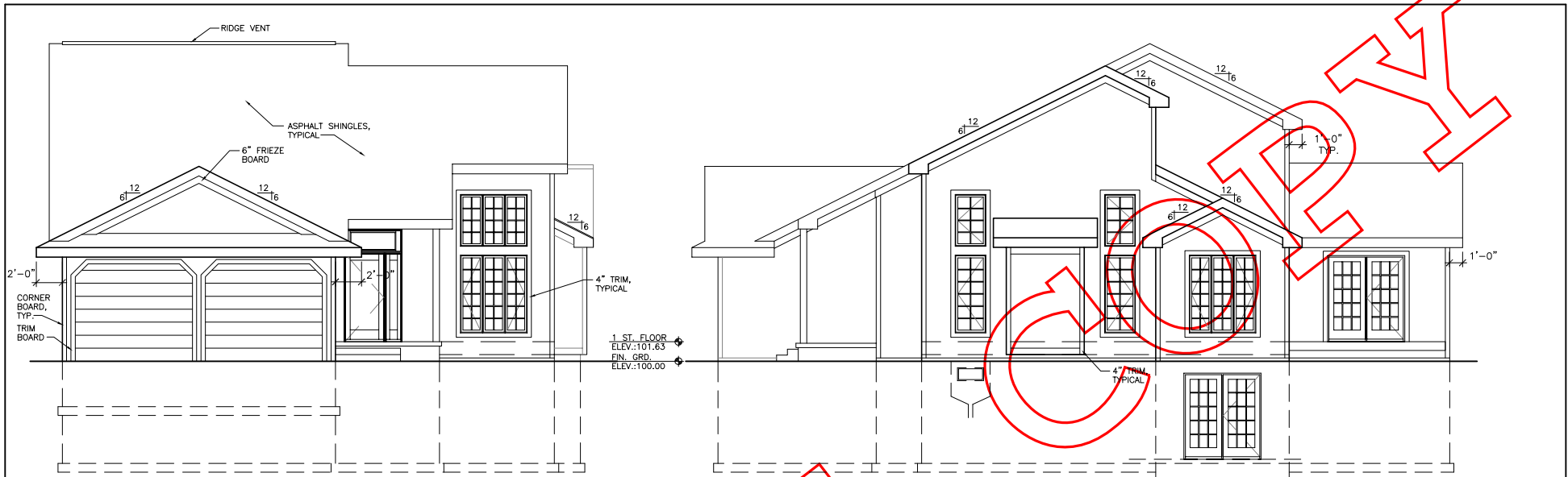


SECOND FLOOR PLAN



FIRST & SECOND FLOOR PLAN

CLIENT:	DATE: 01/18/05	FILE:
	SCALE: 1/4"=1'-0"	SHEET:
	DRAWN: JSM	A2.0
	PN.:	

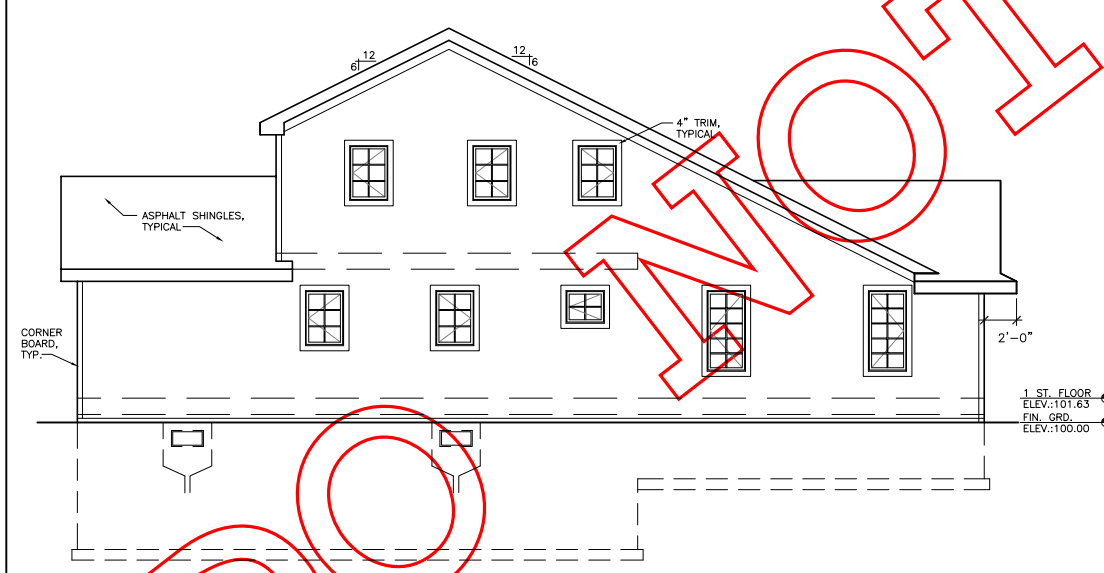


SOUTH ELEVATION

SCALE: 3/16" = 1'-0"

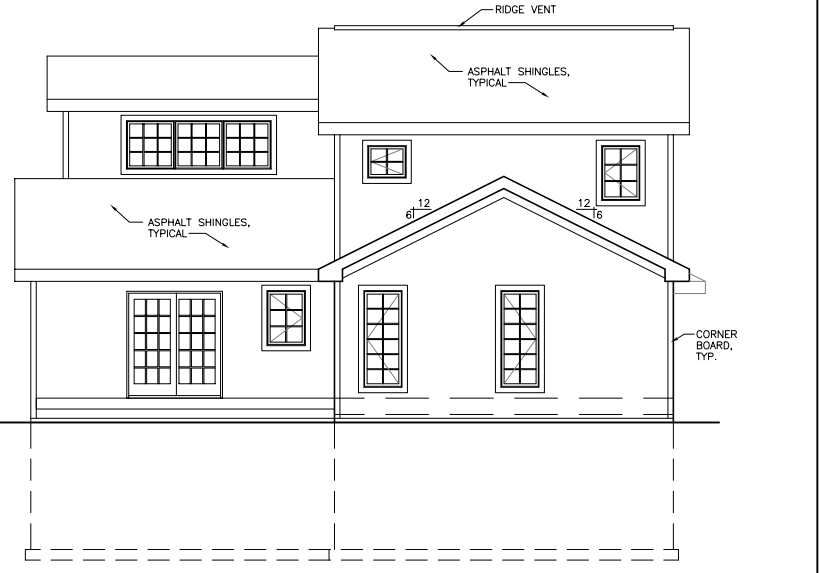
EAST ELEVATION

SCALE: 3/16" = 1'-0"



WEST ELEVATION

SCALE: 3/16" = 1'-0"



NORTH ELEVATION

SCALE: 3/16" = 1'-0"

EXTERIOR ELEVATIONS

CLIENT:	DATE: 01/18/05	FILE:
	SCALE: 3/16" = 1'-0"	SHEET:
	DRAWN: JSM	A3.0
	PN.:	