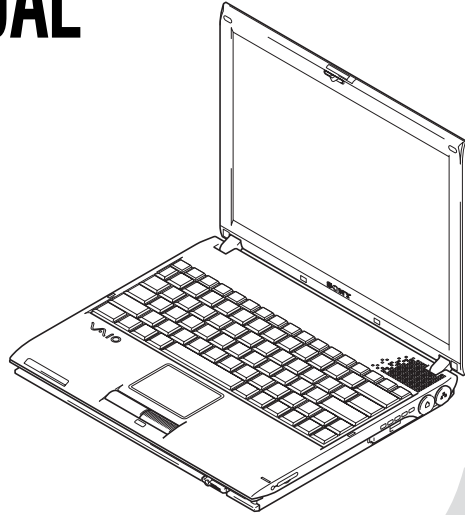


PCG-V505BL/V505BX/V505BXP

SERVICE MANUAL

Ver. 2-2003H

Revision History



For American Area

US Model

Canadian Model



Lineup: **PCG-V505BL**
PCG-V505BX
PCG-V505BXP



Confidential

- Design and specifications are subject to change without notice.

Notebook Computer
SONY[®]

Information in this document is subject to change without notice.

Sony, VAIO and CLIE are trademarks or registered trademarks of Sony. Microsoft, Windows, Windows Media, Outlook, Bookshelf and other Microsoft products are trademarks or registered trademarks of Microsoft Corporation in the United States and other countries. The word Bluetooth and the Bluetooth logo are trademarks of Bluetooth SIG, Inc. AMD, the AMD logo, other AMD product names and combinations thereof are trademarks of Advanced Micro Devices, Inc. Intel Inside logo, Pentium and Celeron are trademarks or registered trademarks of Intel Corporation. Transmeta, the Transmeta logo, Crusoe Processor, the Crusoe logo and combinations thereof are trademarks of Transmeta Corporation in the USA and other countries. Graffiti, HotSync, PalmModem, and Palm OS are resistered trademarks, and the Hotsync logo and Palm are trademarks of Palm, Inc. or its subsidiaries. (M) and Motrola are trademarks of Motrora, Inc. Other Motrola products and services with (R) mark like Dragomball are the trademarks of Motrola, Inc.

All other names of systems, products and services in this manual are trademarks or registered trademarks of their respective owners. In this manual, the (TM) or (R) mark are not specified.

Caution Markings for Lithium/Ion Battery - The following or similar texts shall be provided on battery pack of equipment or in both the operating and the service instructions.

CAUTION: Danger of explosion if battery is incorrectly replaced. Replace only with the same or equivalent type recommended by the manufacturer. Discard used batteries according to the manufacturer’s instructions.

CAUTION: The battery pack used in this device may present a fire or chemical burn hazard if mistreated. Do not disassemble, heat above 100°C (212°F) or incinerate.

Dispose of used battery promptly.
Keep away from children.

CAUTION: Changing the back up battery.

- Overcharging, short circuiting, reverse charging, multilation or incineration of the cells must bi avoided to prevent one or more of the following occurrences; release of toxic materials, release of hydrogen and/or oxygen gas, rise in surface temperature.
- If a cell has leaked or vented, it should be replaced immediately while avoiding to touch it without any protection.



Service and Inspection Precautions

1. Obey precautionary markings and instructions

Labels and stamps on the cabinet, chassis, and components identify areas requiring special precautions. Be sure to observe these precautions, as well as all precautions listed in the operating manual and other associated documents.

2. Use designated parts only

The set’s components possess important safety characteristics, such as noncombustibility and the ability to tolerate large voltages. Be sure that replacement parts possess the same safety characteristics as the originals. Also remember that the Δ mark, which appears in circuit diagrams and parts lists, denotes components that have particularly important safety functions; be extra sure to use only the designated components.

3. Always follow the original design when mounting parts and routing wires

The original layout includes various safety features, such as inclusion of insulating materials (tubes and tape) and the mounting of parts above the printer board. In addition, internal wiring has been routed and clamped so as to keep it away from hot or high-voltage parts. When mounting parts or routing wires, therefore, be sure to duplicate the original layout.

4. Inspect after completing service

After servicing, inspect to make sure that all screws, components, and wiring have been returned to their original condition. Also check the area around the repair location to ensure that repair work has caused no damage, and confirm safety.

5. When replacing chip components...

Never reuse components. Also remember that the negative side of tantalum capacitors is easily damaged by heat.

6. When handling flexible print boards...

- The temperature of the soldering-iron tip should be about 270°C.
- Do not apply the tip more than three times to the same pattern.
- Handle patterns with care; never apply force.

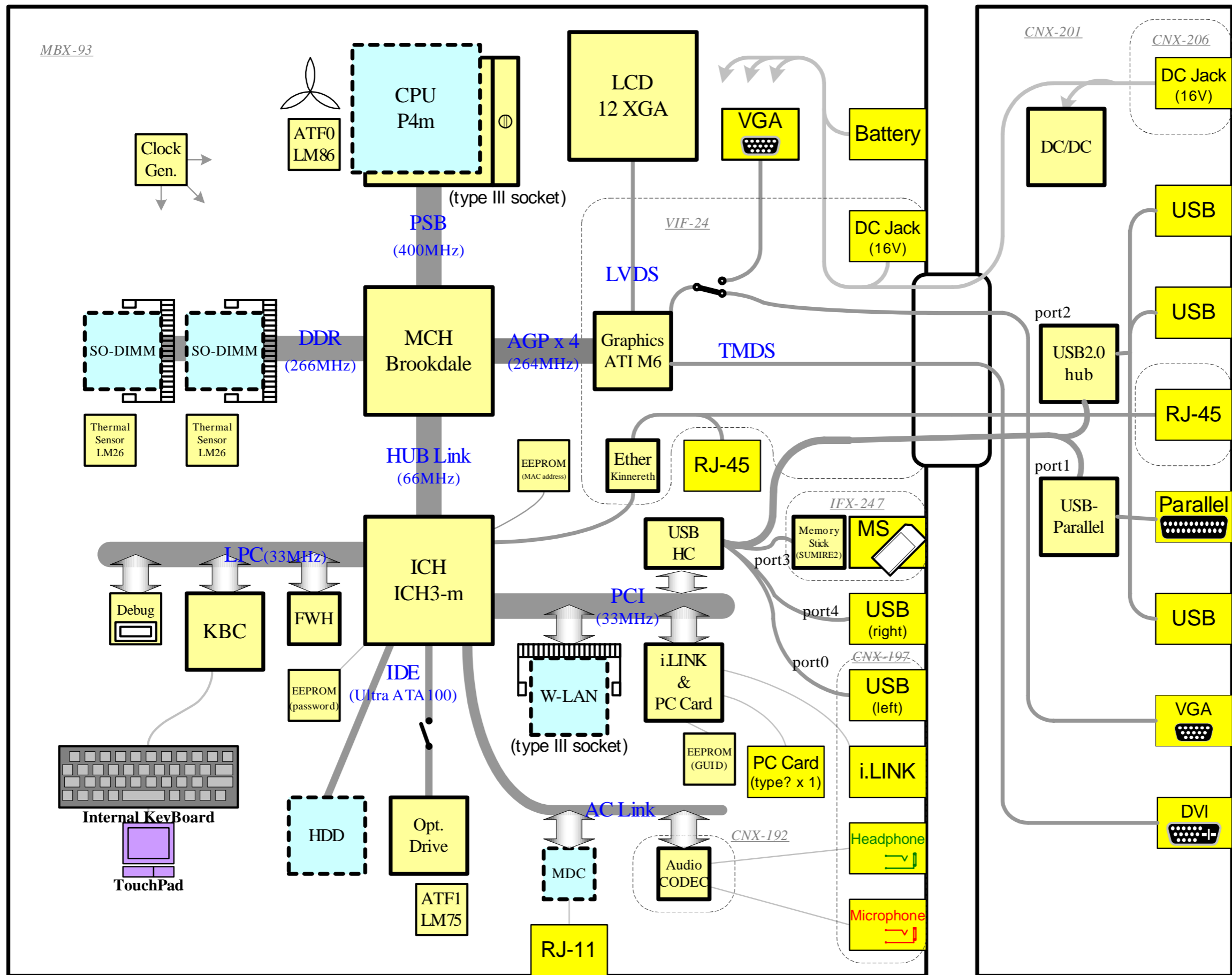
Caution: Remember that hard disk drives are easily damaged by vibration. Always handle with care.

TABLE OF CONTENTS

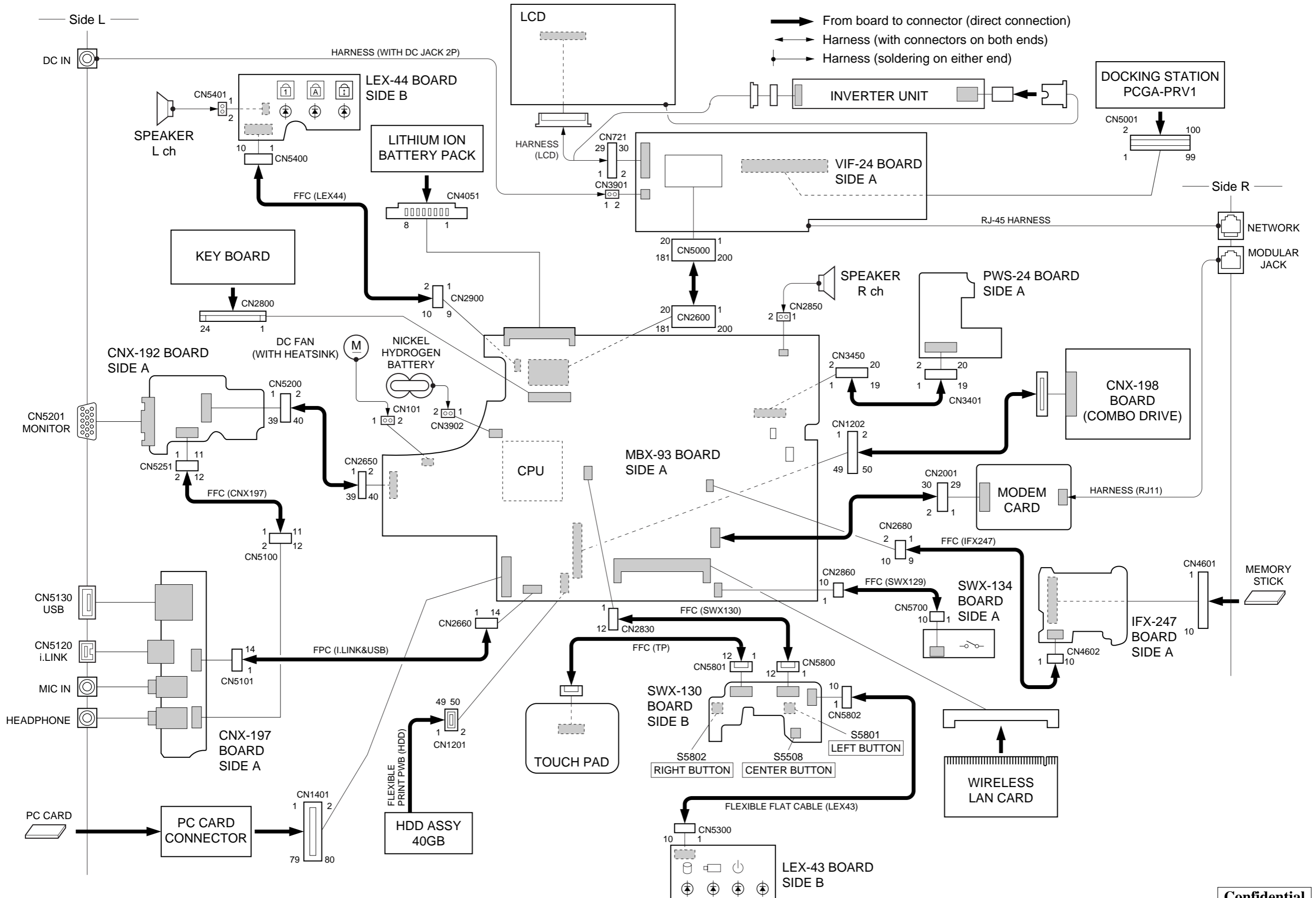
<u>Section</u>	<u>Title</u>	<u>Page</u>
CHAPTER 1. BLOCK DIAGRAM	1-1
		(to 1-2)
CHAPTER 2. FRAME HARNESS DIAGRAM	2-1
		(to 2-2)
CHAPTER 3. EXPLODED VIEWS AND PARTS LIST		
3-1. Main Section	3-2
3-2. LCD Section	3-6
3-3. Accessories	3-8
		(to 3-8)
CHAPTER 4. OTHERS		
4-1. Replacing the CPU	4-1
		(to 4-2)

History of the changes is shown as the "Revision History" at the end of this data.

CHAPTER 1. BLOCK DIAGRAM



CHAPTER 2. FRAME HARNESS DIAGRAM



EXPLODED VIEWS AND PARTS LIST

NOTE:

- Items marked “ * ” are not stocked since they are seldom required for routine service. Some delay should be anticipated when ordering these items.
- The mechanical parts with no reference number in the exploded views are not supplied.
- When two or more parts are shown, use the part described first as the main part.
- The parts marked “ \$ ” are the High Value Modules (HVM).
- The parts marked “ # ” are the parts on which barcode label is attached.
For the barcode label, refer to CHAPTER 4.
- The parts marked “ & ” are the “Customer Replacable Parts (CRP)” that can be replaced by Field Customer Support.
Especially the parts with the <&> mark require the special attention to use them. Here fore, check first whether the desired part is one of the targetted parts of the Customer Replacable Parts(CRP), or the non-targetted parts by referring to the exploded view.

The components identified by mark \triangle or dotted line with mark \triangle are critical for safety. Replace only with part number specified.

Les composants identifiés par une marque \triangle sont critiques pour la sécurité. Ne les remplacer que par une pièce portant le numéro spécifié.

【使用上の注意】

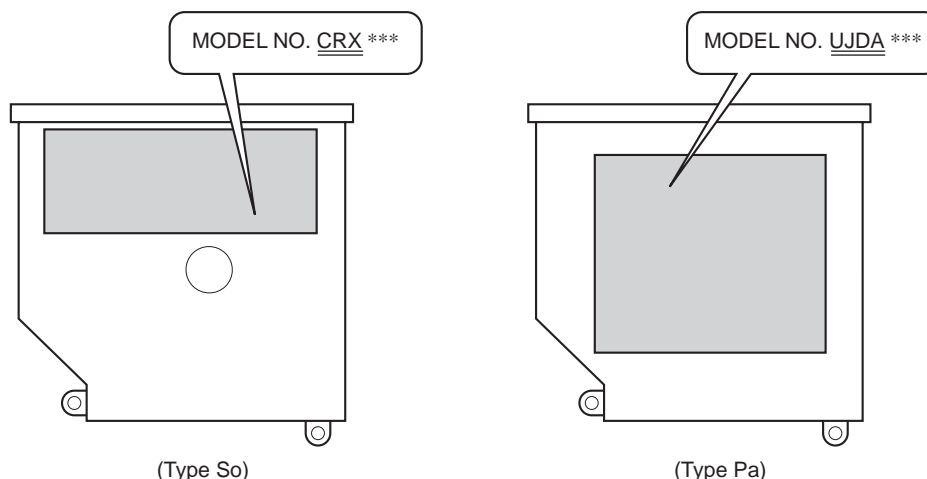
- * 印の部品は常備在庫しておりません。
- 図面番号のない部品は供給しません。
- 併記部品の場合、1:部記載部品をメイン部品として使用してください。
- 部品名称の前に\$ 印のついた部品は、High Value Module (HVM) です。
- 商品名称の前に# 印のついた部品は、バーコードラベル貼付部品です。
バーコードラベルについてはCHAPTER 4を参照してください。
- 部品名称の前に& 印のついた部品は、お客様窓口などでも交換可能な Customer Replacable Parts (CRP) です。
特に <&> 印のついた部品は、使い分けが必要な部品ですので、分解図で Customer Replacable Parts 対象部品か、対象外部品かを必ず御確認ください。

\triangle 印の部品、または \triangle 印付きの点線で囲まれた部品は、安全性を維持するために重要な部品です。従って交換時は、必ず指定の部品を使用してください。

How to Use Parts Differently.

This series of product uses the two different types of optical drive (So type and Pa type).
When replacing the optical drive, use the So type parts for the So type optical drive, and use the Pa type parts for the Pa type optical drive.
Replace the peripheral parts of optical drive with the same type in the same way.

[How to identify the So and Pa types of parts]



[Example of showing in repair part list]

Ref.No.	Part No.	Description
999	8-457-213-00 \$ #	RW DRIVE CRX950E-VN (So)
999	1-796-626-12 \$ #	COMBO DRIVE (UJDA745, 9.5MM) (Pa)

3-1. Main Section

Ref.No.	Part No.	Description	Ref.No.	Part No.	Description
1	A-8068-225-A \$	COMPLETE PWB SWX-130 (BA2) (S)	59	A-8068-227-A \$ #	COMPLETE PWB MBX-93 (S)
2	1-824-996-71	CABLE, FLEXIBLE FLAT (TP)	60	4-670-524-01	BRACKET WIRE
3	1-824-996-52	CABLE, FLEXIBLE FLAT (SWX130)	61	1-763-974-12	FAN, D.C
4	X-4625-594-2	HOLDER (TP) ASSY	62	4-668-785-01	THERMAL SHEET CPU
* 5	4-670-552-02	PLATE (TP)	63	4-670-509-02	HEAT SINK UNIT
6	1-796-623-12	TOUCH PAD	64	1-761-564-21	WIRELESS LAN CARD
7	1-824-996-21	CABLE, FLEXIBLE FLAT (LEX43)	64	1-761-648-32	CARD, WIRELESS LAN (FCC)
8	A-8068-223-A \$	COMPLETE PWB LEX-43 (BA2) (S)	65	4-671-501-01	SHEET (PWS24), INSULATING
9	1-962-179-12	HARNESS (WITH DC JACK 2P)	* 66	4-670-534-02	BRACKET MBX FR
* 10	4-670-547-01	BRACKET (KENSINGTON)	67	4-670-525-01	COVER (BATTERY LOCK)
11	1-824-996-32	CABLE, FLEXIBLE FLAT (LEX44)	68	4-671-188-01	SHEET (MBX), INSULATING
12	A-8068-224-A \$	COMPLETE PWB LEX-44 (BA2) (S)	69	4-671-028-01	SHEET (HDD) (T), INSULATING
13	1-477-748-11	SPEAKER UNIT (WITH BOX)	70	6-600-116-01	IC M470L3224DTCO-CBO
14	X-4625-595-1	PALMREST (F2) ASSY	71	4-671-184-01	SHEET (FAN), INSULATING
15	A-8068-219-A \$	COMPLETE PWB IFX-247 (BA2) (S)	72	4-651-989-51	SPACER (MBX)
16	1-824-996-11	CABLE, FLEXIBLE FLAT (IFX247)	73	4-671-460-02	TAPE, ETHER CABLE
17	1-477-752-21	KEY BOARD UNIT (US)	74	4-671-462-01	TAPE, ETHER CABLE 2 (9X34)
* 18	4-670-521-02	BRACKET (BOTTOM L)	* 75	4-670-503-02	BRACKET (OP) (F)
* 19	4-670-517-02	BRACKET (PC CARD)	* 76	4-670-504-02	BRACKET (OP) (R)
20	1-817-276-14	CONNECTOR, PC CARD	77	4-671-026-01	SHEET (OP), INSULATING
21	1-824-996-61	CABLE, FLEXIBLE FLAT (CNX197)	78	8-457-213-00 \$ #	RW DRIVE CRX950E-VN (So)
22	1-687-953-11	FPC (I.LINK & USB)	78	1-796-626-12 \$ #	COMBO DRIVE (UJDA745, 9.5MM)
23	A-8068-221-A \$	COMPLETE PWB CNX-197 (BA2) (S)			(Pa)
24	1-694-760-21	JACK, SMALL TYPE (HEADPHONE)	79	A-8068-222-A \$	COMPLETE PWB CNX-198 (BA2) (S)
25	1-694-760-41	JACK, SMALL TYPE (MICROPHONE)	80	X-4625-589-2	BEZEL (OP) (SO) ASSY (So)
26	1-794-548-21	CONNECTOR, USB (A)	80	X-4625-590-2	BEZEL (OP) (M) ASSY (Pa)
27	4-670-520-03	ESCUTCHEON (SIDE L)	81	4-670-528-01	SHEET (MCH), THERMAL
28	X-4625-584-2	DOOR (VGA) ASSY	82	4-670-796-02	STOPPER HINGE
29	X-4625-583-4	HOUSING (BOTTOM) (F1) ASSY	83	4-670-529-01	SHEET (GFX), THERMAL
30	1-824-996-41	CABLE, FLEXIBLE FLAT (SWX129)	84	4-671-336-03	& COVER SEAL 6X4
31	A-8068-218-A \$	COMPLETE PWB SWX-134 (BA2) (S)	85	4-671-463-02	TAPE, FPC CABLE (60X10)
32	X-4625-588-5	(W-LAN)... ESCUTCHEON (F) (W-LAN) ASSY	86	4-671-506-01	GASKET (FAN)
32	X-4625-592-5	(No W-LAN)... ESCUTCHEON (F) (W-LAN LESS) ASSY	87	4-662-881-02	CUSHION, KEY BOARD
* 33	4-670-511-01	BRACKET (HDD) (R)	88	4-670-846-01	CUSHION (PALM)
34	A-8113-859-A \$ #	ASSY HDD 40GB (H) (S)	89	4-671-180-01	COVER (LENS KB)
* 35	4-670-510-01	BRACKET (HDD) (F)	* 90	4-670-533-02	HEAT SINK (POWER)
36	1-687-015-11	PWB, FLEXIBLE PRINT (HDD)	91	4-672-928-01	CUSHION (LIGHT SHIELDING)
37	4-671-027-01	SHEET (HDD) (B), INSULATING	92	4-670-554-02	(No W-LAN)...LENS COVER
38	4-670-526-02	COVER (BOTTOM)	92	4-670-554-12	(W-LAN)...LENS COVER
39	4-635-946-41	& FOOT	93	1-400-255-11	FERRITE CORE
40	4-670-523-02	DOOR DOCK	94	4-672-754-01	COVER CABLE (10X10)
41	4-673-102-01	& FOOT (R)	95	4-673-025-01	COVER FERRITE CORE
42	4-670-519-02	ESCUTCHEON (SIDE R)	96	4-673-009-01	SHADE CLOTH (A)
43	X-4625-585-2	DOOR (RJ) ASSY	97	4-673-026-01	FILM (FAN)
44	1-962-036-11	HARNESS (RJ11)	98	1-793-365-21	CONNECTOR, USB (A)
45	1-962-095-11	HARNESS,RJ-45	99	4-673-302-01	ADHESIVE TAPE (RJ)
* 46	4-670-522-01	PLATE (OP) (T)	100	4-672-759-01	HOOK (COVER BOTTOM)
47	A-8068-220-A \$	COMPLETE PWB CNX-192 (BA2) (S)	101	4-673-292-01	COPPER TAPE FAN
48	6-703-333-01	(V505BXP)...IC RH80532GC041512-2	102	4-676-790-01	(V505BXP)...LABEL ID (U)
→ 48	6-703-826-01	(V505BX, V505BL)... IC RH80532NC033256	102	4-676-790-11	(V505BX)...LABEL ID (U)
* 49	4-670-532-02	BRACKET (CPU)	103	4-673-761-01	TAPE 7X18
* 50	4-670-563-01	BRACKET (VGA)	105	4-673-762-01	CUSHION T4.5
51	1-756-038-21	BATTERY, NICKEL HYDROGEN	106	4-673-758-01	SPACER T2 (DIM)
52	4-670-168-01	STAND OFF M2X6	114	4-675-709-01	PLATE KB
53	4-655-326-01	OFF, STAND	B1	4-672-834-21	SCREW, +B EG GRIP (M2X3.5)
* 54	X-4625-591-2	BRACKET (MBX) ASSY	B2	4-672-834-01	SCREW, +B EG GRIP (M2X2.5)
55	A-8068-226-A \$ #	COMPLETE PWB VIF-24 (BA2) (S)	B3	4-672-834-31	<& SCREW, +B EG GRIP (M2X5.0)
56	1-761-606-14	CARD, MODEM	B4	4-672-840-01	SCREW, M2 TAPPING, FLAT HEAD (M2X5.0)
57	4-671-515-01	FILM (MODEM)	B5	4-672-834-11	SCREW, +B EG GRIP (M2X3.0)
58	A-8068-217-A \$	COMPLETE PWB PWS-24 (BA2) (S)	B6	4-672-836-01	SCREW, M2 SPECIAL HEAD, EG GRIP (M2X3)

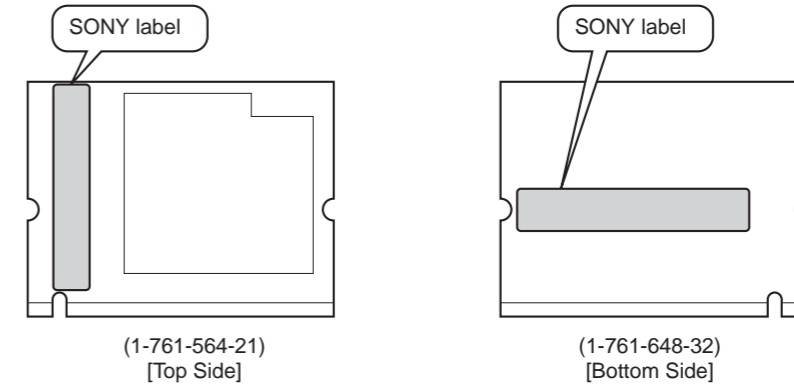
Ref.No.	Part No.	Description
B7	4-635-966-01	SCREW (HEX)
B8	4-672-834-41	<& SCREW, +B EG GRIP (M2X13)
B9	4-672-839-01	HEAD, M3 FLAT (M3X4)
B10	4-671-374-01	TAPPING (B TYPE M1.7X3)
B11	4-671-538-01	SCREW (M2X2), SPECIAL HEAD
B12	4-671-539-01	& M2 +P EG GRIP (M2X4)
B13	4-672-835-01	SCREW, M2.6 +B EG GRIP (M2.6X5)
B14	4-672-836-11	SCREW, M2 SPECIAL HEAD, EG GRIP (M2X4)
B16	4-672-834-51	SCREW, +B EG GRIP (M2X4)

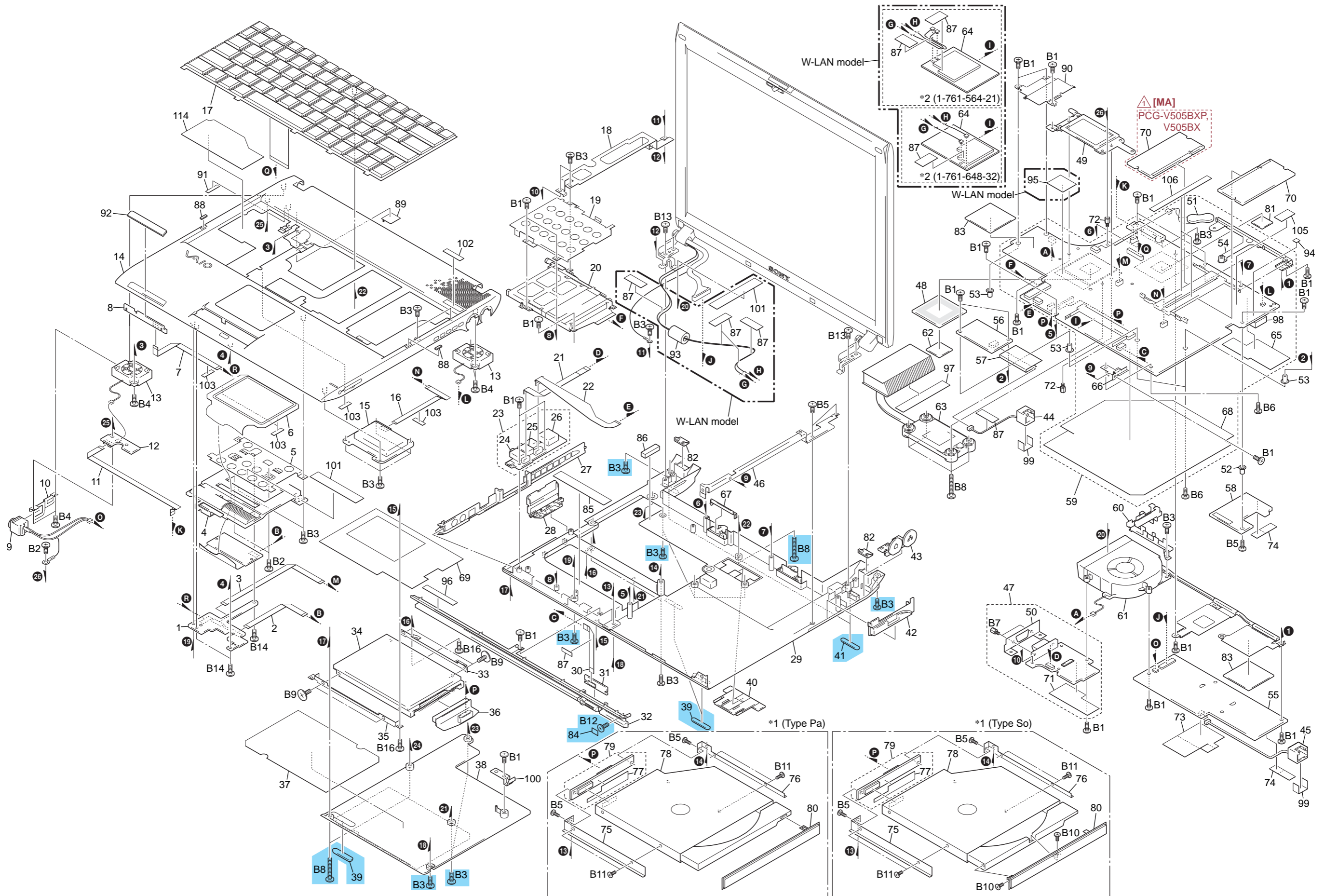
* When change the CPU (ref. 48), refer to "Replacing the CPU" in CHAPTER 4.

How to Use Parts Differently.

This series of product uses the two different types of wireless lan card.
When replacing the wireless lan card, use the wireless lan card of the same part number.
Replace the peripheral parts of wireless lan card with the same type in the same way.

[How to identify the wireless lan card]



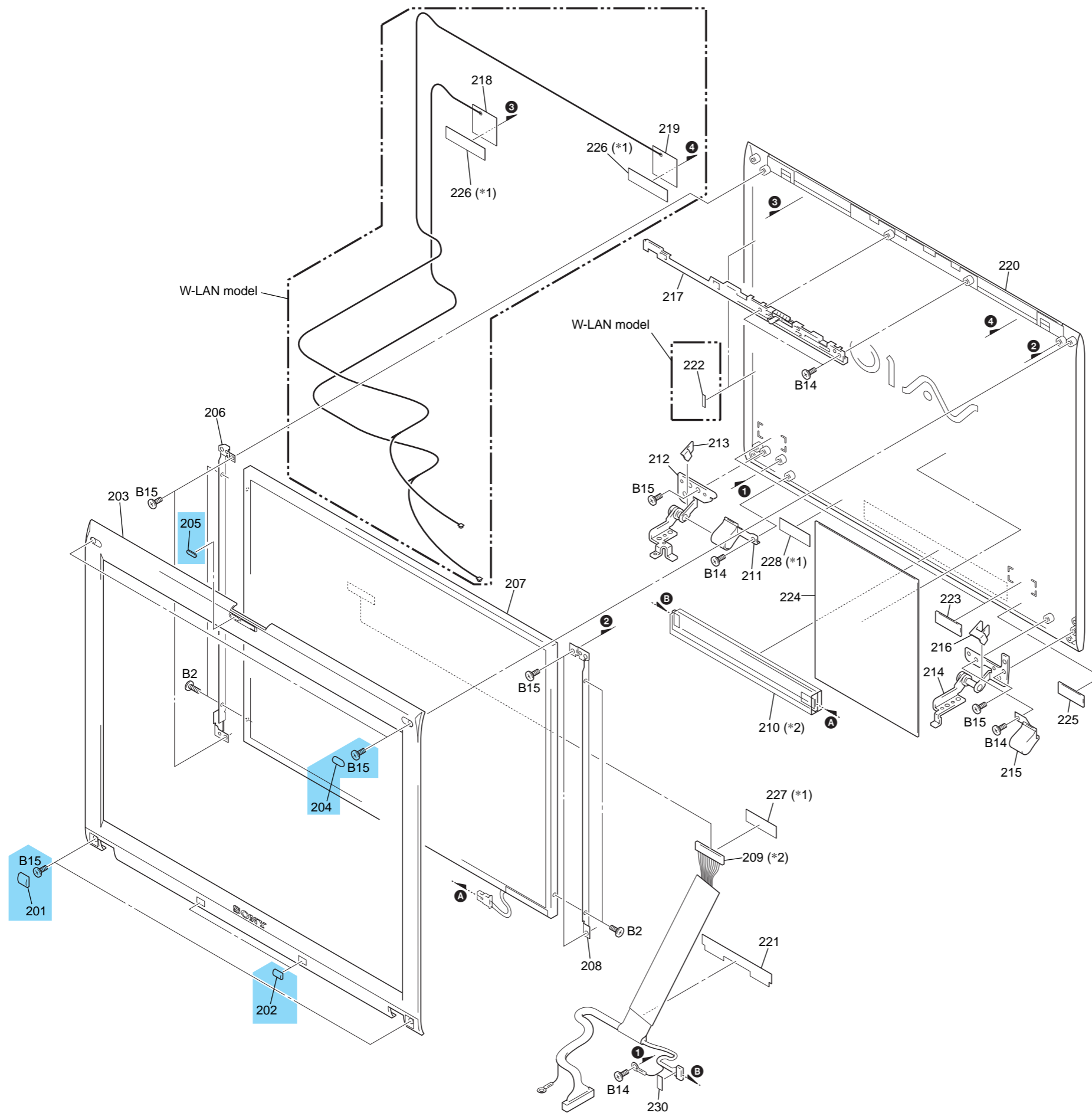


*1 By referring to [How to identify the So and Pa types of parts] (page 3-1), use the So type parts when replacing the So type optical drive, and use the Pa type parts when replacing the Pa type optical drive.

*2 By referring to [How to identify the wireless lan card] (page 3-3), use the wireless lan card of the same part number.

* When change the CPU (ref. 48), refer to "Replacing the CPU" in CHAPTER 4.

3-2. LCD Section – Made by TO –

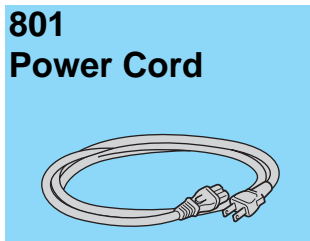


Ref.No.	Part No.	Description
201	4-670-474-01	& CUSHION (L)
202	4-670-476-01	& CUSHION (CENTER)
203	X-4625-579-2	HOUSING (BEZEL) ASSY
204	4-670-473-01	& CUSHION (U)
205	4-670-475-01	& CUSHION (LATCH)
* 206	4-670-481-02	BRACKET (LCD L)
207	A-8114-045-A \$ #	LCD (12.1) (T) (S)
* 208	4-670-482-02	BRACKET (LCD R)
209	1-961-998-12	HARNESS, LCD (*2)
210	1-476-735-11	INVERTER UNIT (*2)
211	4-670-477-02	COVER (L), HINGE
212	4-670-483-01	TILT UNIT (L)
213	4-670-479-01	CAP (L), HINGE
214	4-670-484-01	TILT UNIT (R)
215	4-670-478-02	COVER (R), HINGE
216	4-670-480-03	CAP (R), HINGE
217	X-4625-580-3	LATCH ASSY
218	1-754-272-12	ANTENNA, FILM (FOR LEFT)
219	1-754-272-22	ANTENNA, FILM (FOR RIGHT)
220	A-8114-046-A	HOUSING (DISPLAY) ASSY (BADGE) (S)
221	4-673-031-01	COPPER TAPE (LCD)
222	4-670-485-01	CUSHION (ANT)
223	4-673-032-01	CUSHION (GAP)
224	4-673-057-01	CUSHION (DISPLAY)
225	4-673-088-01	TAPE, HARNESS (INV)
226	—	FILAMENT TAPE (W12X50) (*1)
227	—	FILAMENT TAPE (W12X30) (*1)
228	—	FILAMENT TAPE (W12X40) (*1)
230	4-662-881-02	CUSHION, KEY BOARD
B2	4-672-834-01	SCREW, +B EG GRIP (M2X2.5)
B14	4-672-836-11	SCREW, M2 SPECIAL HEAD, EG GRIP (M2X4)
B15	4-671-538-11	<> SCREW (M2X4), SPECIAL HEAD

*1 Use the FILAMENT TAPE.

*2 When you exchange Ref. 209 or Ref. 210, please exchange both together.

3-3. Accessories



<u>Ref.No.</u>	<u>Part No.</u>	<u>Description</u>
		ACCESSORIES *****
△ 801	1-757-562-21	& CORD, POWER
△ 802	1-477-749-21 \$	ADAPTOR, AC
803	A-8114-137-A \$	BP2V (U) ASSY (S)
	4-676-768-01	& QUICK (START)

The components identified by mark △ or dotted line with mark △ are critical for safety. Replace only with part number specified.

Les composants identifiés par une marque △ sont critiques pour la sécurité. Ne les remplacer que par une pièce portant le numéro spécifié.

CHAPTER 4. OTHERS

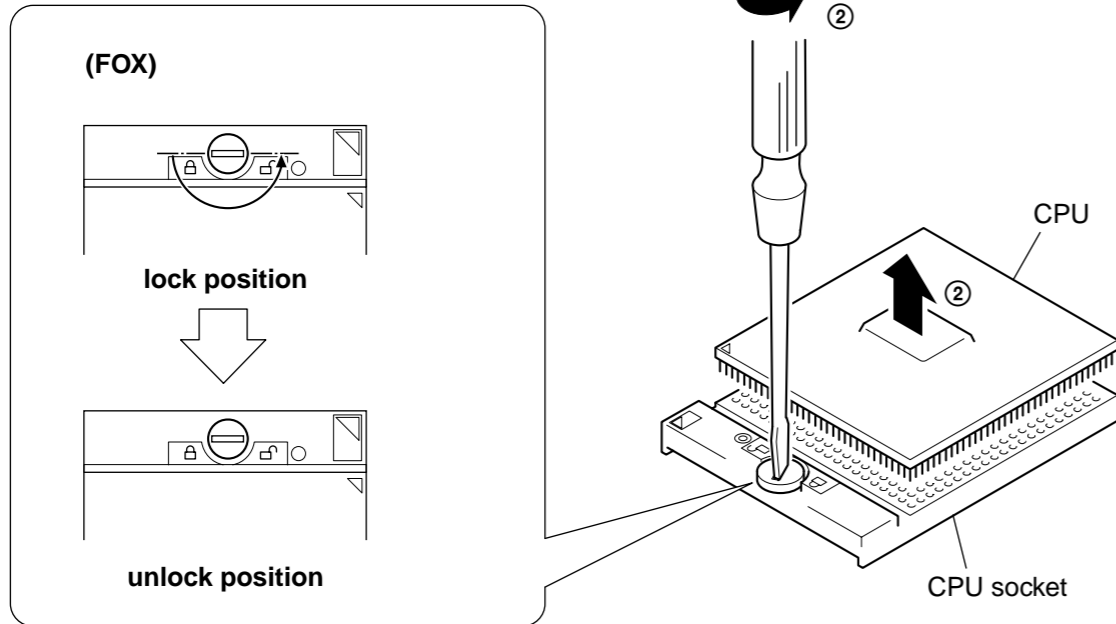
4-1. Replacing the CPU

Note: We have two kinds of CPU for this set, and either of them is used.
Two kinds of CPU have differences in the lock position and the unlock position.

1. Socket configuration 1

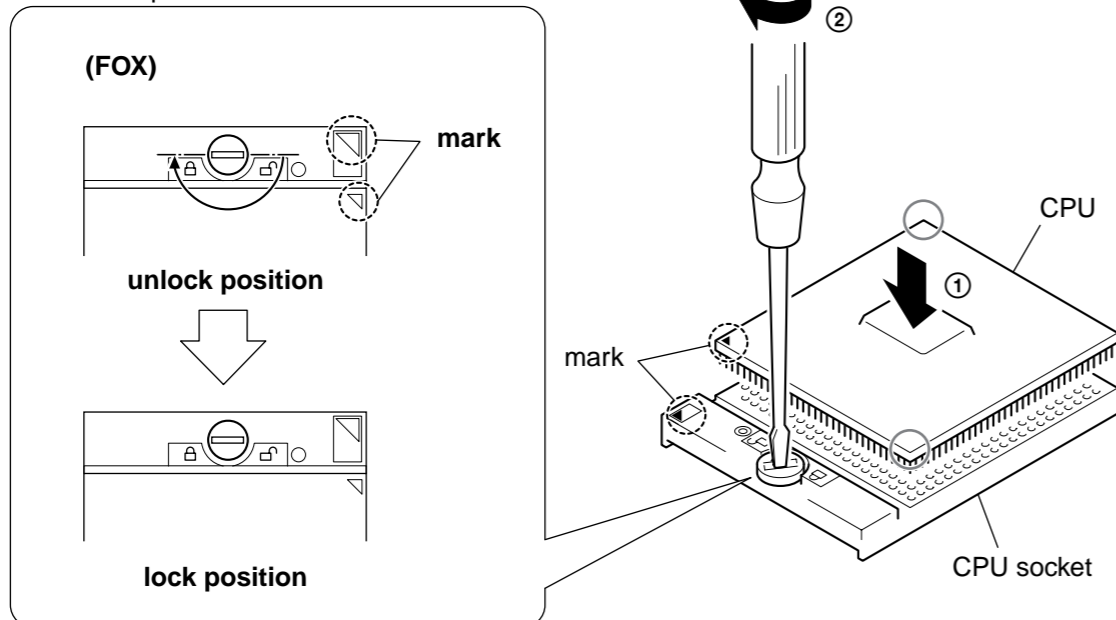
1. How to remove the CPU

- ① Rotate the lock with a flat-blade screwdriver toward the unlock position shown in the figure.
- ② Remove up the CPU.



2. How to install the CPU

- ① Position the mark on the CPU to the mark on the CPU socket and put in all pins to the holes on the CPU socket.
- ② Pressing two corners marked with ○ in the figure, rotate the lock with a flat-blade screwdriver toward the lock position.

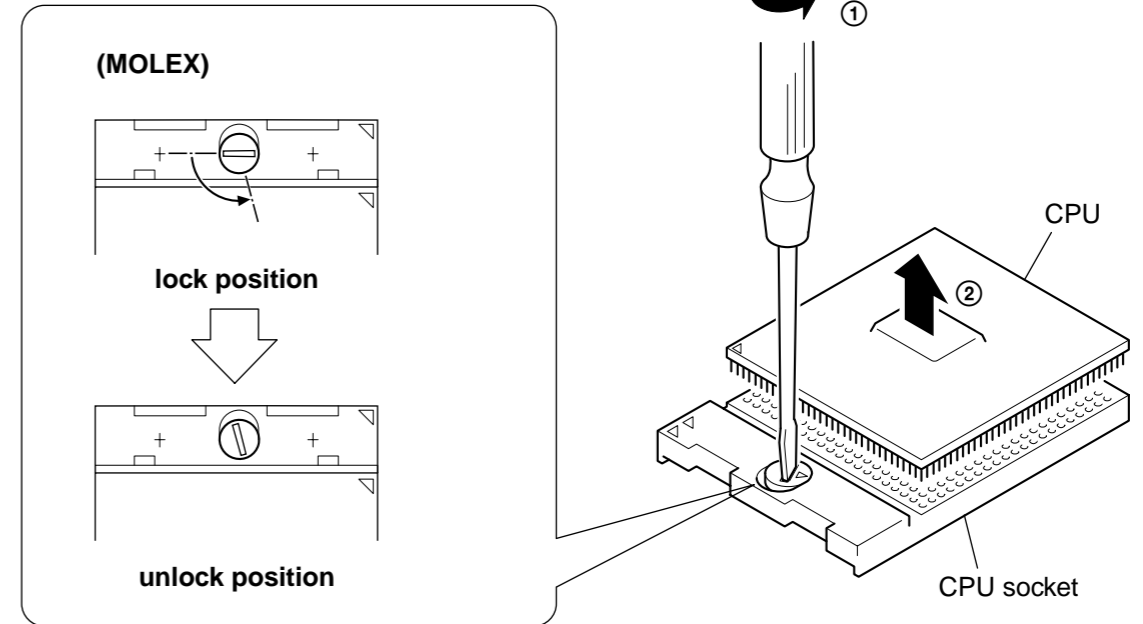


Note: Lock the CPU properly, or operation becomes unstable.

2. Socket configuration 2

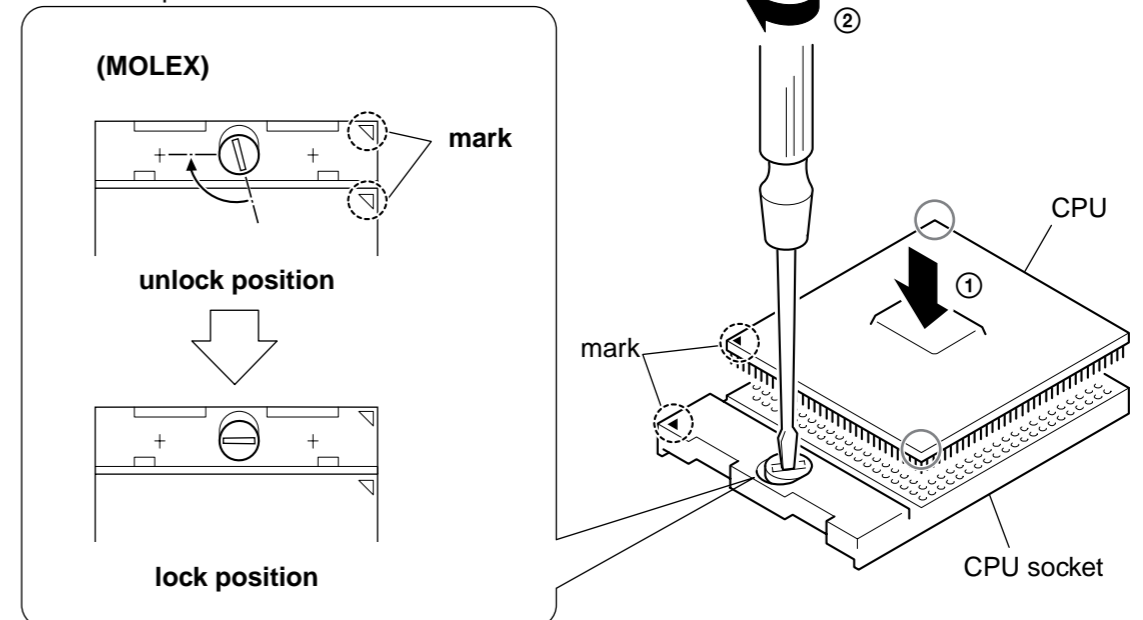
1. How to remove the CPU

- ① Rotate the lock with a flat-blade screwdriver toward the unlock position shown in the figure.
- ② Remove up the CPU.



2. How to install the CPU

- ① Position the mark on the CPU to the mark on the CPU socket and put in all pins to the holes on the CPU socket.
- ② Pressing two corners marked with ○ in the figure, rotate the lock with a flat-blade screwdriver toward the lock position.





Note: Lock the CPU properly, or operation becomes unstable.



PCG-V505BL/V505BX/V505BXP (AM)


List of PCG-V505 Series (As of August, 2003)

Model	Service Manual Parts No.
PCG-V505AX PCG-V505AXP	9-876-082-01
PCG-V505FP	9-876-084-01
PCG-V505BL  PCG-V505BX PCG-V505BXP	9-876-311-02

 : Additional Model

This manual and the constituent data may not be replicated, copied nor reprinted in whole or in part without prior written authorization of Sony Corporation.

Revision History

Suffix	Ver.	Date	Contents	QM No.
-01	Ver. 1	2003.06.18	First Edition	
-02	Ver. 2	2003.08.06	 Front Page (Model Lineup), Page 3-2, Page 3-5	N2003_048AK
<Remarks>				

[Confidential]

PCG-V505BL/V505BX/V505BXP (AM)