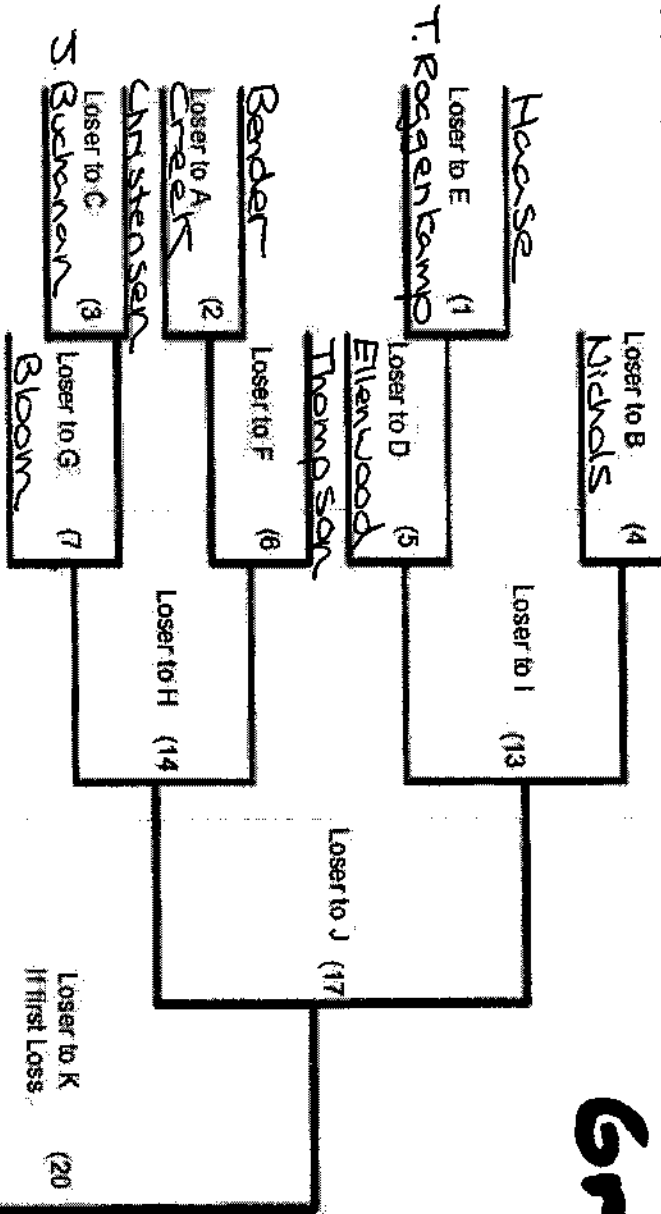
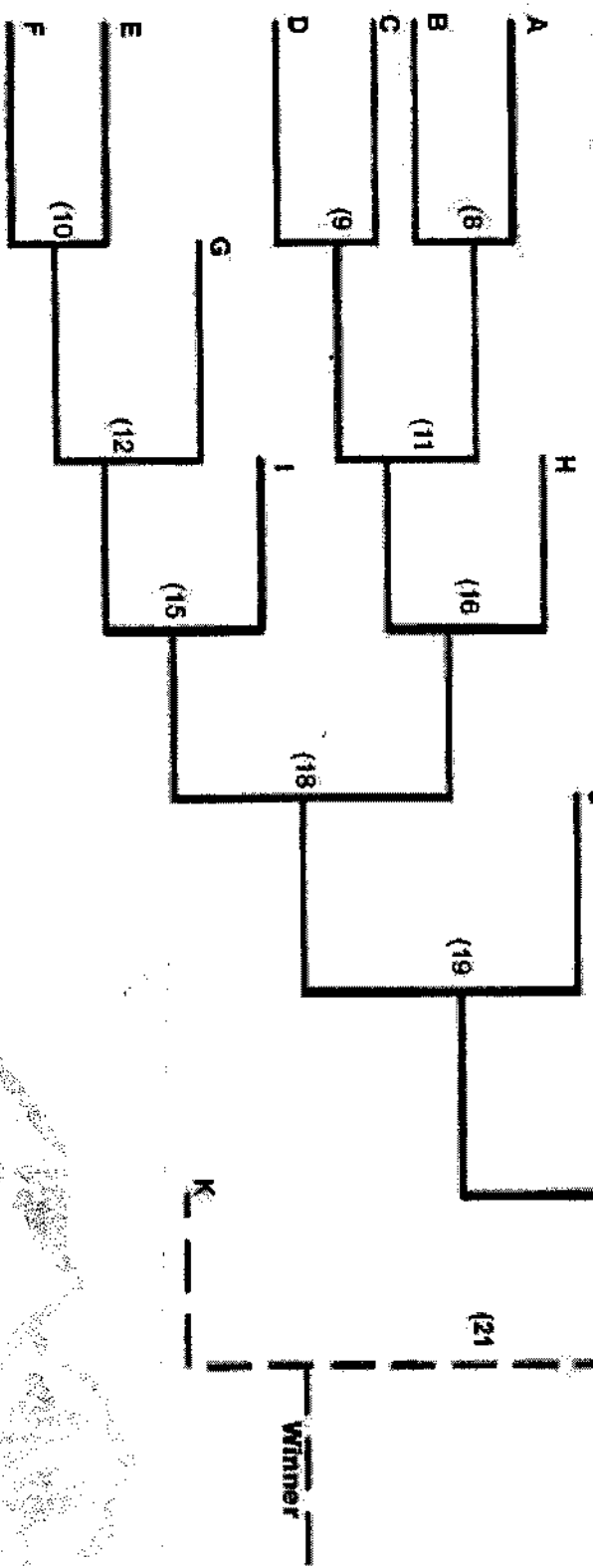


11 Team Double Elimination Gross A

Winner's Bracket



Loser's Bracket



Winner

Winner's Bracket

Rompa

Loser to B
M. Lane (3)

R. Buchanan
Loser to C
Posekany (1)

Loser to E
Tauvid (5)

Henderson
Loser to F (6)

G. Karsten
Loser to A
Voeltz (2)

Hausler
Loser to D
Dolin (4)

Loser to G
(12)

Loser to J
(15)

Loser to J
if First Loss

10 Team Double Elimination

Gross B



Loser's Bracket

A

B (7)

E (9)

G

(14)

I

(17)

(18)

(19)

Winner

C

D (8)

F (10)

H

(13)

J

2009 Match Play