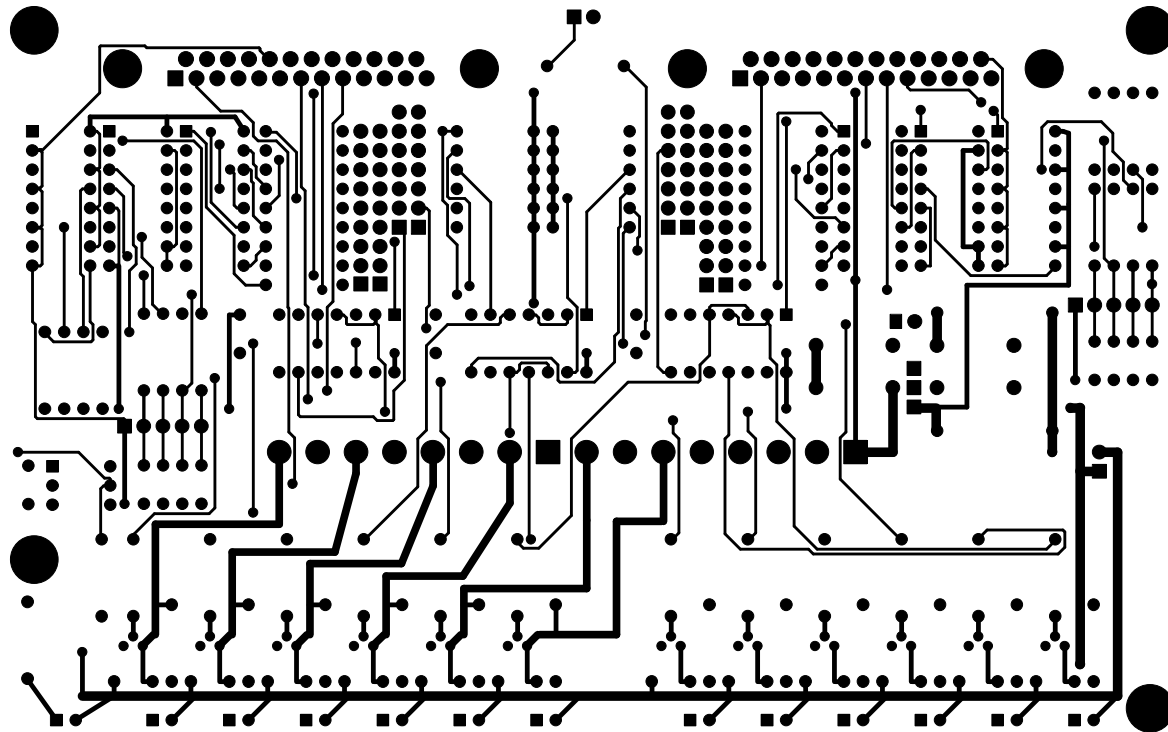
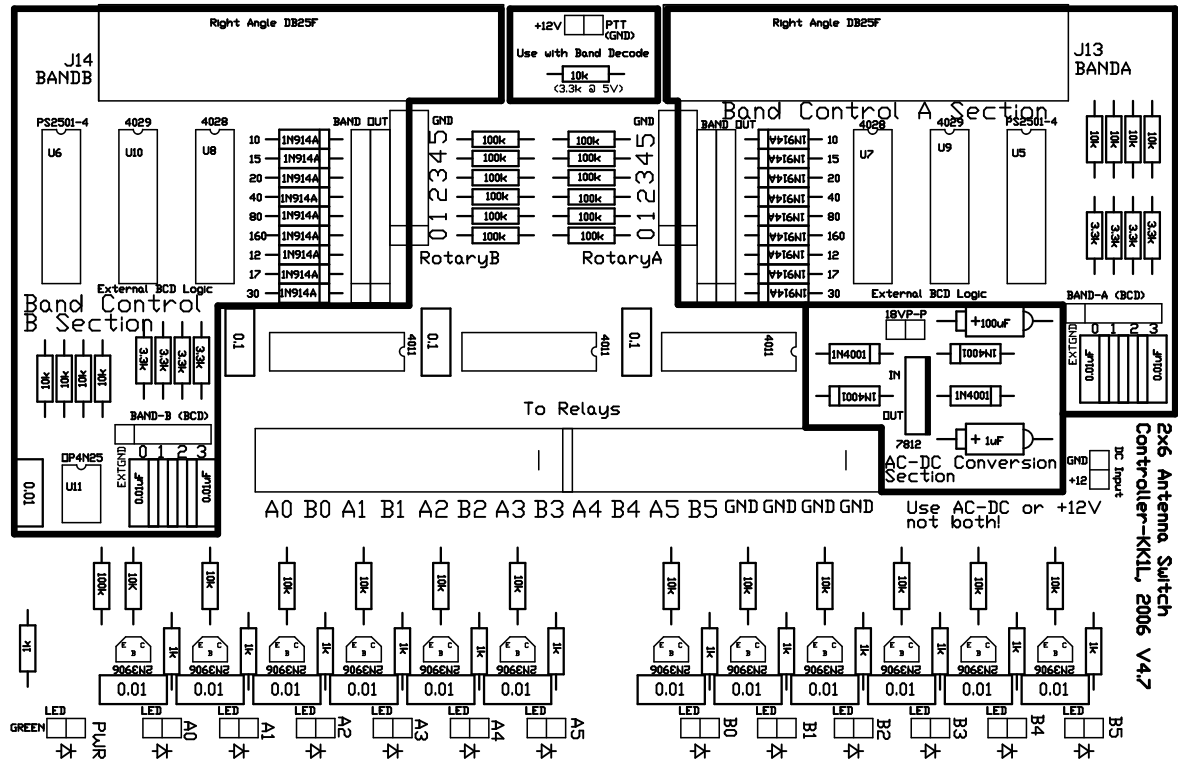


C:\Program Files\CircuitMaker 2000\Circuits\Switch2x6_ControlBoardV4d7wired.PCB Top Layer

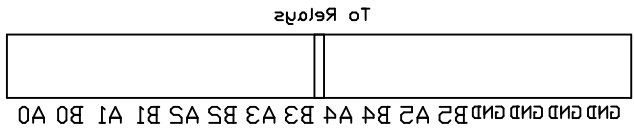


C:\Program Files\CircuitMaker 2000\Circuits\Switch2x6_ControlBoardV4d7wired.PCB Bottom Layer

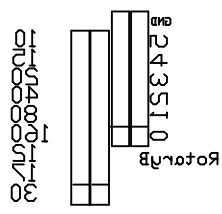
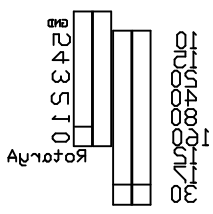
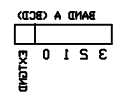
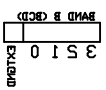


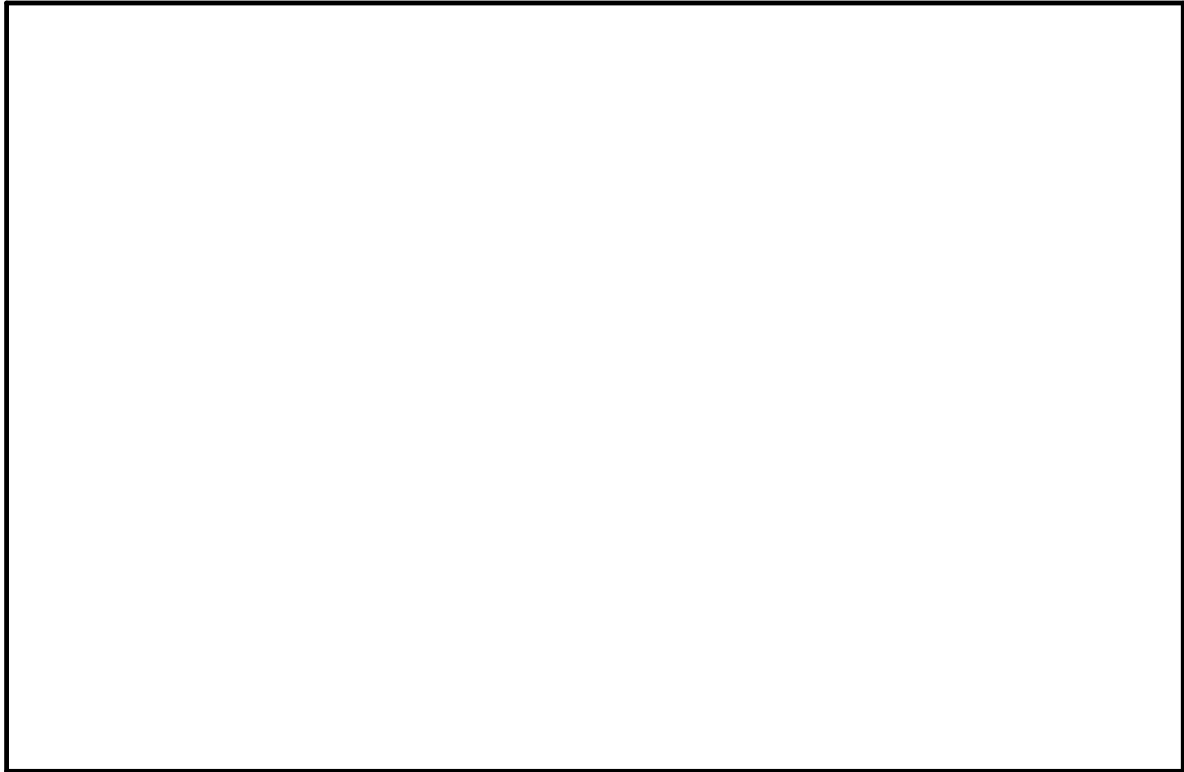
C:\Program Files\CircuitMaker 2000\Circuits\Switch2x6_ControlBoardV4d7wired.PCB Top Overlay

NOTE: Mount components on other side of board!
 Notation on this side is for reference or
 to more easily mount connectors.



To Relays





C:\Program Files\CircuitMaker 2000\Circuits\Switch2x6_ControlBoardV4d7wired.PCB Keep Out Layer