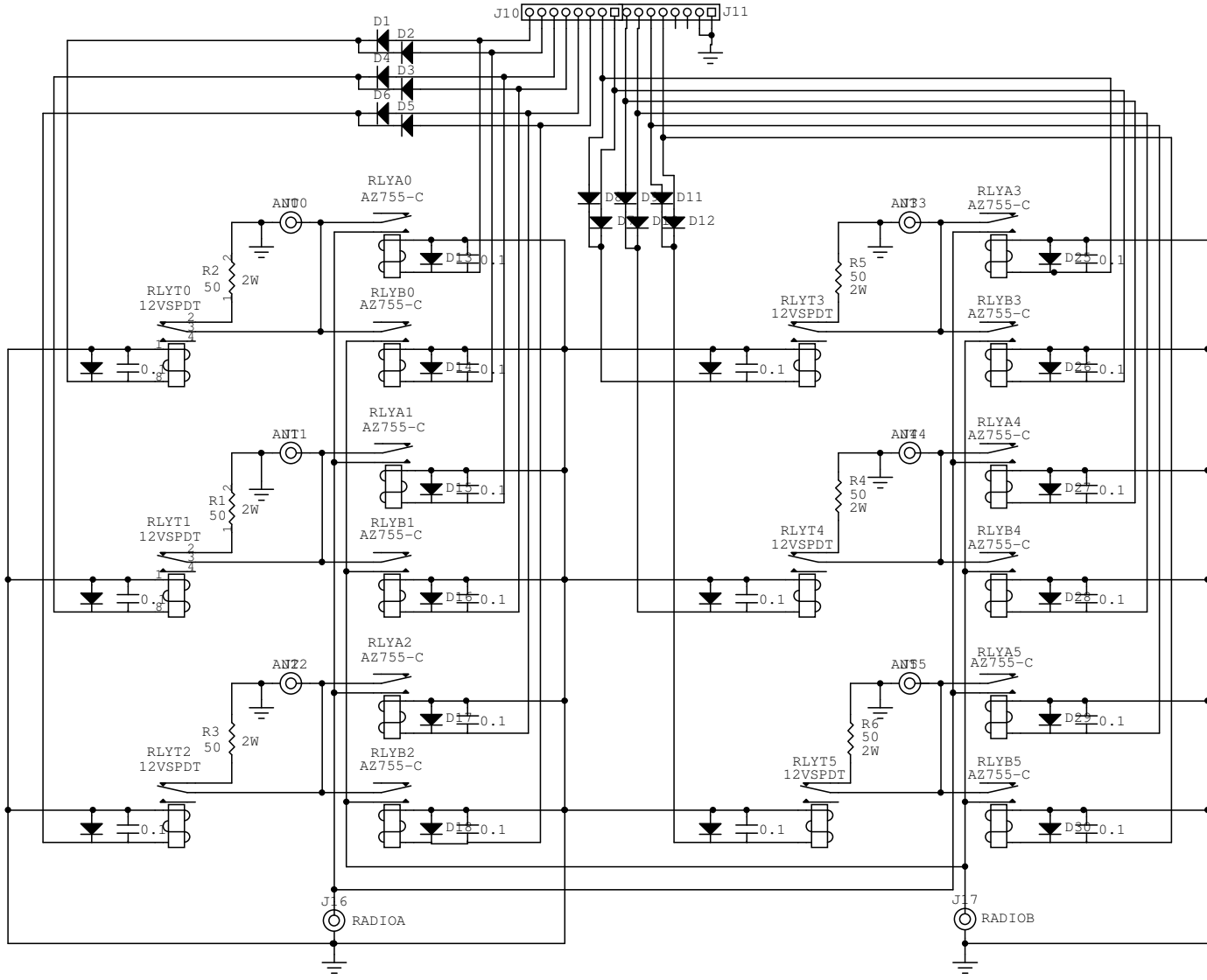


- 2x6 Antenna Switch Relay Board
- * 50 Ohm RF lines
- * Isolated RF and signal lines
- * 50 Ohm termination of unused ports
- * End fed design (highest band should be at end of run)
- * +12V relay activation
- * AZ755-1C-12DE or AZ764-1CH-12DE relays (high V, high A, sealed)



Ronald Rossi, KK1L	
Rev	ID
3.0	2x6 Antenna Switch Relay Board
Date: 23 February 2005	Page: 1 of 1