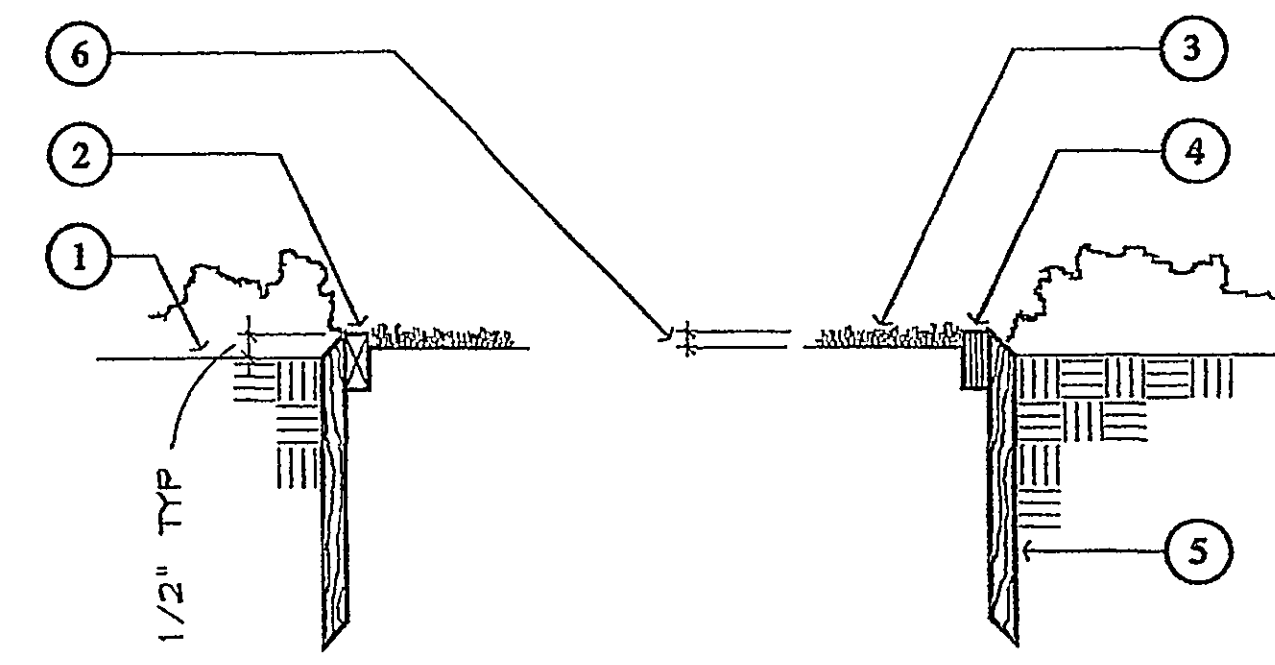


**Final Plant List**  
 Congregation Beth El  
 1301 Oxford Street  
 Berkeley, CA  
 5/29/03  
 11/20/03 revised  
 1/15/04 revised  
 1/28/04 CD submittal

Sym	Botanical Name	Common Name	Size	Qty	Comments
ARB MAC	Acer macrophyllum	Bigleaf Maple	24" box	1	
ARB RUB	Acer rubrum	Red Maple	48" box	3	
ARB TUL	Liquidambar styracifera 'Arnold'	Cedar of Lebanon	60" box	2	
OLE EUR	Olea europaea	Olive (fruitless)	48" box	10	low branching, mult
PIS CHI	Platanus chinensis	Chinese Platane	24" box	9	
PRU SER	Prunus serrulata 'Amanogawa'	Amanogawa Cherry	36" box	3	matching
PRU SHO	Prunus serrulata 'Shogebai'	Japanese Flowering Cherry	48" box	6	matching
PYR CAL	Pyrus calleryana 'Chanticleer'	Chanticleer Pear	24" box	11	
SEQ SEM	Sequoia sempervirens 'Sequoi'	Sequoi Redwood	36" box	5	
YO FLO	Yucca filamentosa 'Tombuldas'	California Tongue Palm	24" box	3	
CTI SPP	Citrus (misc)	Note: varieties tbd	36" box	3	
FIG SPP	Ficus (edible)	Note: varieties tbd	24" box	3	
ACE CIR	Acer circinnatum	Vine Maple	15 g	5	
ARB UNE	Arbutus unedo 'Compacta'	Strawberry Tree	24" box	5	
CAM SAN	Camellia	Camellia	15 g	36	Varies tbd
CEA DAR	Ceanothus 'Dark Star'	Wild Lilac	5 g	20	
CEA GRI	Ceanothus gnseus hor 'Yankee Point'	Carmel Creeper	5 g	18	
CER OCC	Cercis occidentalis	Western Redbud	24" box	22	
COR HUT	Cornus nuttallii	Western Dogwood	36" box	4	
COR STO	Cornus stolonifera	Redwig Dogwood	15 g	5	
GAR SPP	Gardenia spp	Gardenia	5 g	12	Varies tbd
HYD PAN	Hydrangea paniculata 'Grandiflora'	Pee Gee Hydrangea	24" box	1	
LAV MAR	Lavatera maritima 'Bicolor'	Lavatera	5 g	21	
MYR CAL	Myrica californica	Pacific Wax Myrtle	15 g	18	
MYR COM	Myrica communis 'Compacta'	Dwarf Myrtle	5 g	34	
PHI GLA	Philadelphus virginialis 'Glaucol'	Mock Orange	10 g	10	
PHI VIR	Philadelphus virginialis 'Virginal'	Mock Orange	5 g	7	
PIT TEN	Pittosporum tenuifolium	Pittosporum	15 g	3	
PUN GRA	Punica granatum	Pomegranate	15 g	3	
RHA ALT	Rhamnus alaternus	Italian Buckthorn	15 g	5	
RHA CAL	Rhamnus californica	California Coffeeberry	5 g	14	
RHO SPP	Rhododendron spp	Flowering Rhododendron	15 g	24	Varies tbd
RIB SAN	Ribes sanguineum	Red Flowering Currant	5 g	18	
RIB VIB	Ribes viburnifolium	Evergreen Currant	5 g	21	
ROS CAL	Rosa californica	Wild California Rose	1 g	38	
SAR RUS	Sarcococca ruscifolia	Sarcococca	5 g	10	
VIB PLI	Viburnum plicatum tom 'Watanabe'	Doublefile Viburnum	5 g	17	
ATH FIL	Athyrium filix-femina	Lady Fern	15 g	2	
NEP COR	Nepenthes cordifolia	Sword Fern	1 g	23	
ACA MOL	Acanthus mollis	Bear's Breach	5 g	29	
ANE JAP	Anemone japonica	Japanese Anemone	1 g	14	white flowers
CYC SPP	Cyclamen spp	Cyclamen	4" liners	tbd	color tbd
SER MAC	Sierum macrochzum	Bigroot Cranebill	1 g	49	
HEM SPP	Hemerocallis spp	Day Lily	118		peach/salmon color flowers
HOS PLA	Hosta plantaginea	Fragrant Plantain Lily	1 g	15	
HYS OFF	Hyssopus officinalis	Hyssop	1 g	51	
IRI DOU	Iris douglasiana	Pacific Coast Iris	1 g	104	purple flowers
LAV STO	Lavandula stoechas	Spanish Lavender	1 g	23	
PHI FRU	Philomis fruticosa	Jerusalem Sage	1 g	45	purple/lavender color flowers
CLE SPP	Clematis spp	Clematis	5 g	7	
CLY CAL	Cytisoma callistegodes	Violet Trumpet Vine	5 g	14	
FIC PUM	Ficus pumila	Creeping Fig	5 g	17	
JAS POL	Jaaminum polyanthum	Jasmine	5 g	10	
LON JAP	Lonicera japonica 'Halliana'	Hall's Honeysuckle	5 g	9	
PAR QUI	Parthenocissus quinquefolia	Virginia Creeper	5 g	7	
CAM POS	Campanula poscharskyana	Serbian Bellflower	flats	tbd	12" o c
COT DAM	Cotoneaster dammeri 'Low Fast'	Bearberry Cotoneaster	1 g	tbd	48" o c
LAT MON	Lantana montevidensis	Lantana	1 g	tbd	36" o c
LAU FLU	Laurentia fluvialis	Blue Star Creeper	flats	tbd	12" o c Layout in field per L.A.
MAH REP	Mahonia repens	Creeping Mahonia	1 g	tbd	36" o c
OPH JAP	Ophiopogon japonicus	Mondo grass	plugs	tbd	12" o c Layout in field per L.A.
PHI LAN	Philomis lanata	Jerusalem Sage	1 g	tbd	30" o c
ROS COR	Rosmannus 'Corsican Prostrate'	Rosemary	1 g	tbd	36" o c
THY PRA	Thymus praecox arcticus	Creeping Thyme	flats	tbd	18" o c Layout in field per L.A.
TRA JAS	Trachelospermum jasminoides	Star Jasmine	flats	tbd	12" o c
FES OVI	Festuca ovina	Sheep Grass	plugs	tbd	18" o c
MUH RIG	Muhlenbergia rigens	Deer Grass	1 g	tbd	36" o c

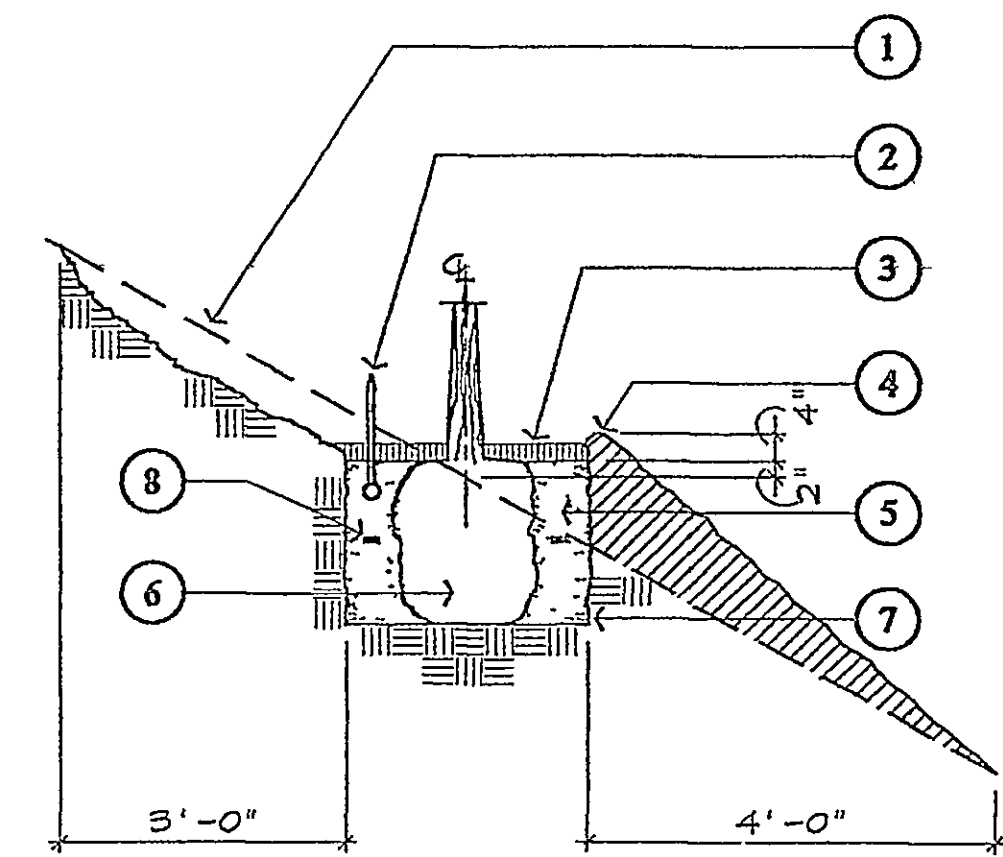
☆ - DROUGHT TOLERANT



- 1 Finish grade at groundcover or shrub area
- 2 Straight runs 2 x 4 redwood header construction heart, nailed to stake
- 3 Finish grade at lawn area
- 4 Curved runs 4 - 1/4" x 4" redwood headers, nailed, construction heart. Lap 2'-0" minimum at all joints
- 5 2 x 4 x 18" redwood stakes construction heart rough, 4'-0" o.c. and all joints, laps and ends
- 6 1" for sod lawn  
1/2" for seeded lawn

### 1 Redwood Header

Scale: NTS



- 1 Existing slope
- 2 Irrigation head
- 3 Fir bark mulch
- 4 Earth berm
- 5 Backfill mix - see specifications
- 6 Rootball
7. Planting hole - scarify walls
8. Fertilizer tablets - see specifications

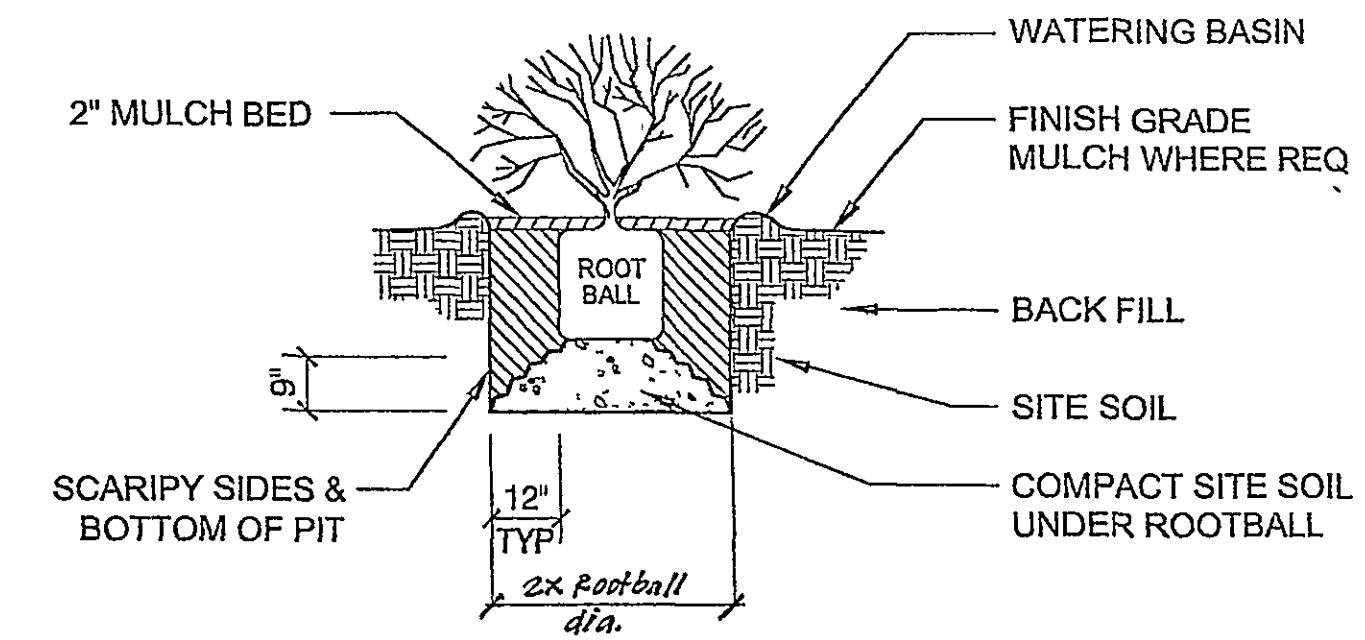
### 2 Slope Planting for shrubs & trees

Scale: NTS (greater than 10%)

#### Planting Notes:

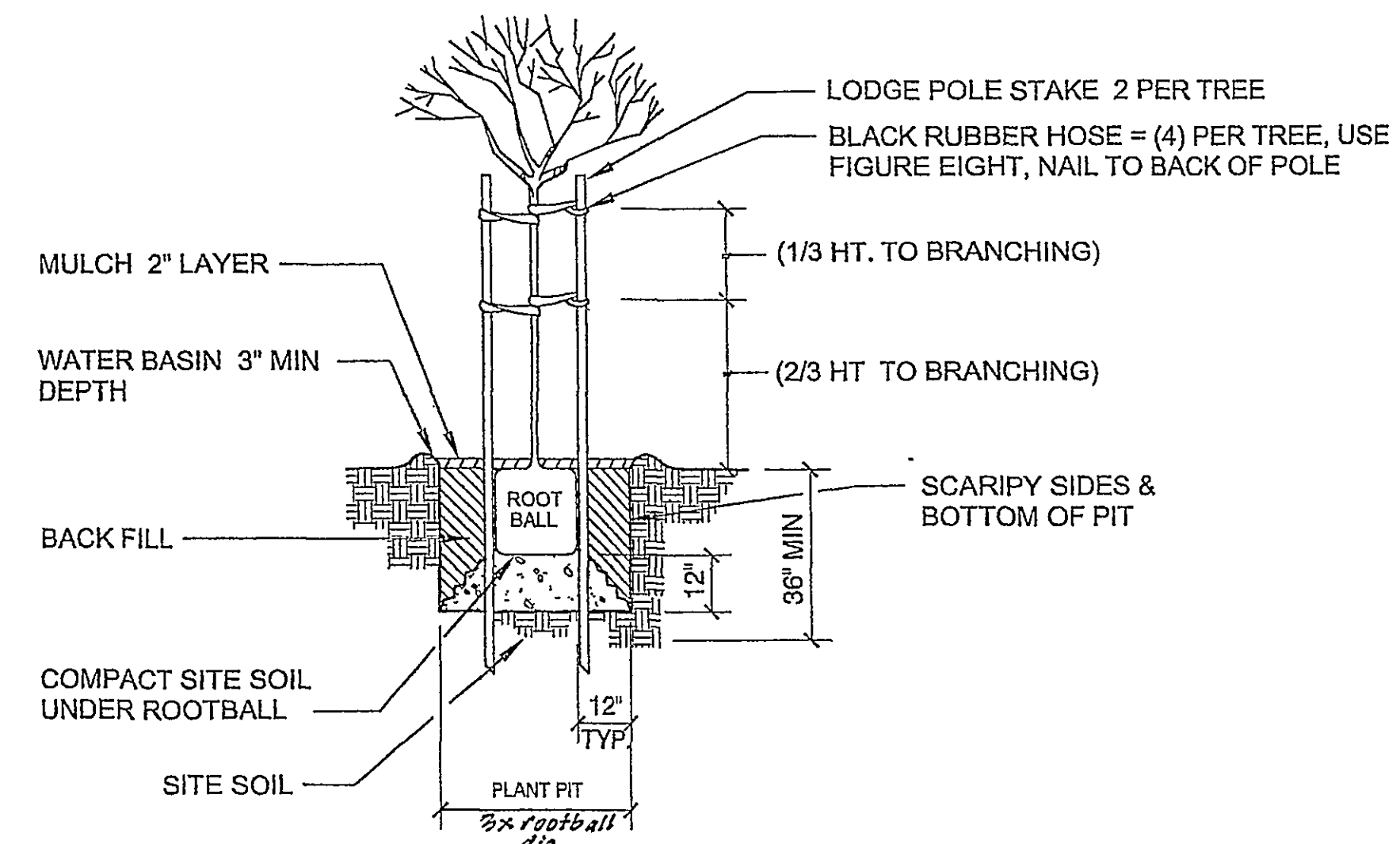
1. Plant list includes all plant materials for future. Phase planting areas
- 2 Any plant substitutions shall be approved by Landscape Architect
3. Verify plant sizes and quantities with Landscape Architect prior to ordering plant materials

Seed Mix	Creek Planting		
	Carex nudata	California Black Flowering Sedge	
	C. praegracilis	Field Sedge	
	C. tumicola	Berkeley Sedge	
	Clarkia amoena	Farewell-to-Spring	
	C. cooinea	Type of Clarkia	
	Cymoglossum grande	Western Hounds Tooth	
	Eschscholzia californica	California Poppy	
	Iris douglasiana	Pacific Coast Iris	
	Sisyrinchium ballum	Blue-eyed Grass	
	Stipa pultra	Purple Needle Grass	
Lawn/Sod	Fescue blend		
	Grass pave ( or approved equal)		



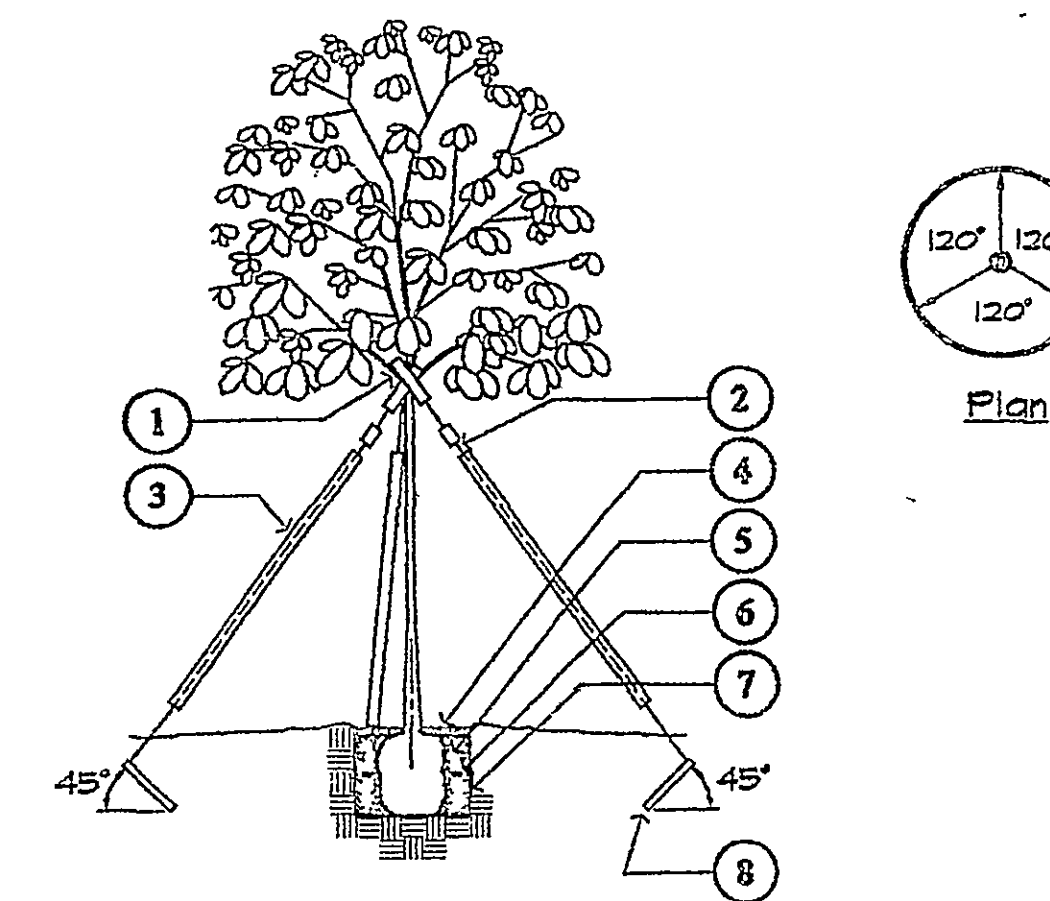
### 3 Shrub Planting

Scale: NTS



### 4 Tree Staking

Scale: NTS



- 1 Reinforced rubber tree tie
  - 2 #10 3-strand wire with turnbuckle, 3 per tree, equally spaced
  3. 1/2" PVC sleeve
  4. 2" layer mulch
  5. Backfill mix - see specifications
  - 6 Fertilizer tablets - see specifications
  7. Planting hole - scarify walls
  8. Steel guy anchor
- Notes:  
 A. Whenever possible, locate guys 2'-0" min. from edge of paving and place to avoid hazard to pedestrians.  
 B. Plant crown shall be 2" above finish grade after watering and settling.  
 C. See Plant Specifications for plant pit dimensions and planting directions

### 5 Tree Guying (36" box & larger)

Scale: NTS

## NEW SYNAGOGUE and SCHOOL

### CONGREGATION BETH EL

1301 Oxford Street  
 Berkeley, California  
 94708

OWNER:  
 Congregation Beth El  
 2301 Vine Street  
 Berkeley, California  
 94708

Tel 1 510 848 3988  
 Fax 1 510 848 9434

ARCHITECT:  
 Moore Ruble Yudell  
 Architects & Planners  
 939 Roca Boulevard  
 Santa Monica, California  
 90405

Tel 1 310 450 1400  
 Fax 1 310 450 1403

Landscape Architect  
 Tito Patri and Associates  
 2801A Union Street  
 San Francisco, California  
 94123

Tel 1 415 346 2226  
 Fax 1 415 346 2778

ASSOCIATE ARCHITECT  
 Studio Bergtraun  
 5500 Doyle St  
 Emeryville, California  
 94608

Tel 1 510 652 0612  
 Fax 1 510 652 0613

12.2.04

Drawing Title

## PLANT LIST & DETAILS

November 8, 2004

Def-3h