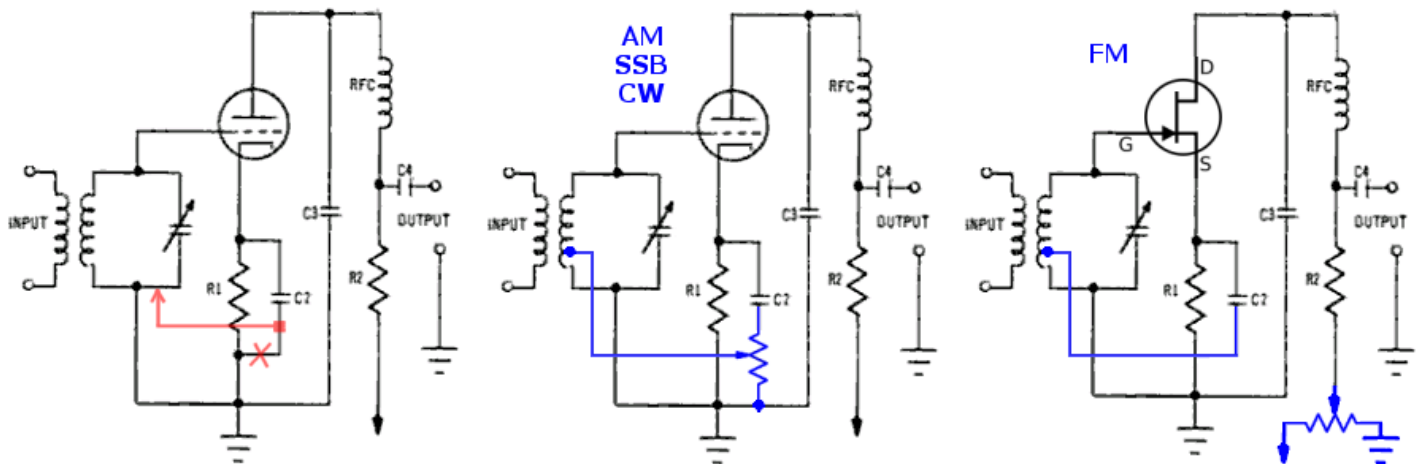


The Angelodyne Detector

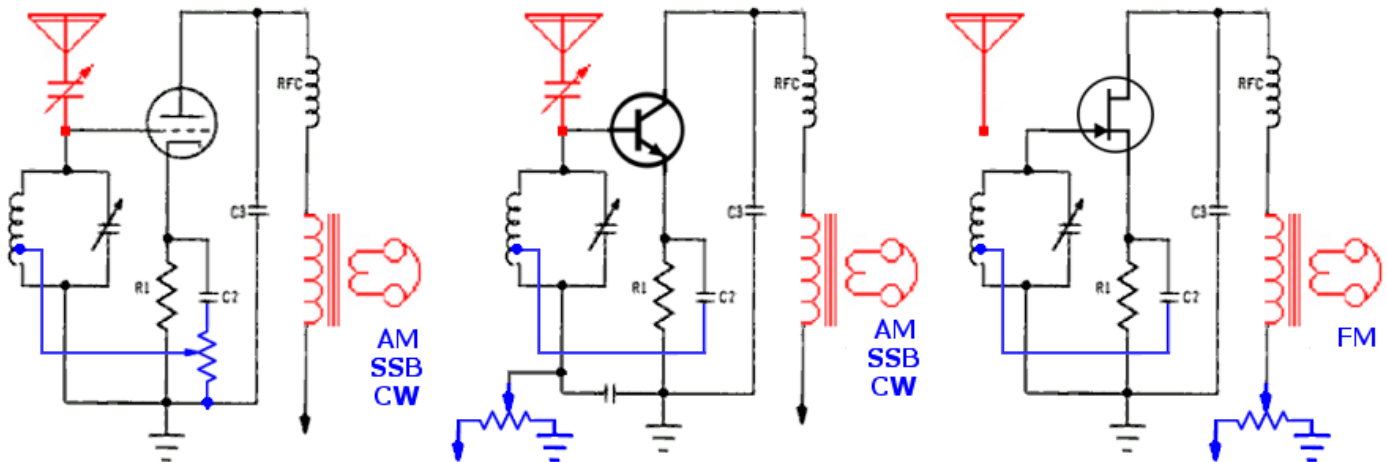
Decodes AM, SSB, CW, and FM. Vacuum Tube or Solid State.

VERSION 6 ©2011

The information below is not guaranteed to be free of errors.



The **Angelodyne detector** can be setup as a *regenerative plate detector* to decode **AM**, **CW**, and **SSB** (Hellenedyne), or as a *super-regenerative drain detector* to decode n/w **FM** (Heliosdyne). *Dave Schmarder* noted that the Hellenedyne resembled a plate detector (see left above), except **C2** injects RF energy back into the tank for regeneration (Hartley, Armstrong, Colpitts, or Clapp).



On the left the Angelodyne detector is setup as a single active device radio. It will detect **AM**, **CW**, and **SSB**. This was the basis for the **Hellenedyne** 1AD vacuum tube regenerative receiver.

In the middle the Angelodyne detector is setup as as a single active device radio. Here it detects **AM**, **CW**, and **SSB**. This was the basis for the **Dee/Mitch-dyne** 1AD BJT regenerative radio.

On the right the Angelodyne detector is setup as as a single active device radio. Here it is detecting **FM**. This was the basis for the **Heliosdyne** 1AD n-channel JFET super-regenerative radio.

just_rtfm@<NOSPAM>yahoo.com
http://home.comcast.net/~phils_radio_designs

Copyright 2011
Dr. Phil