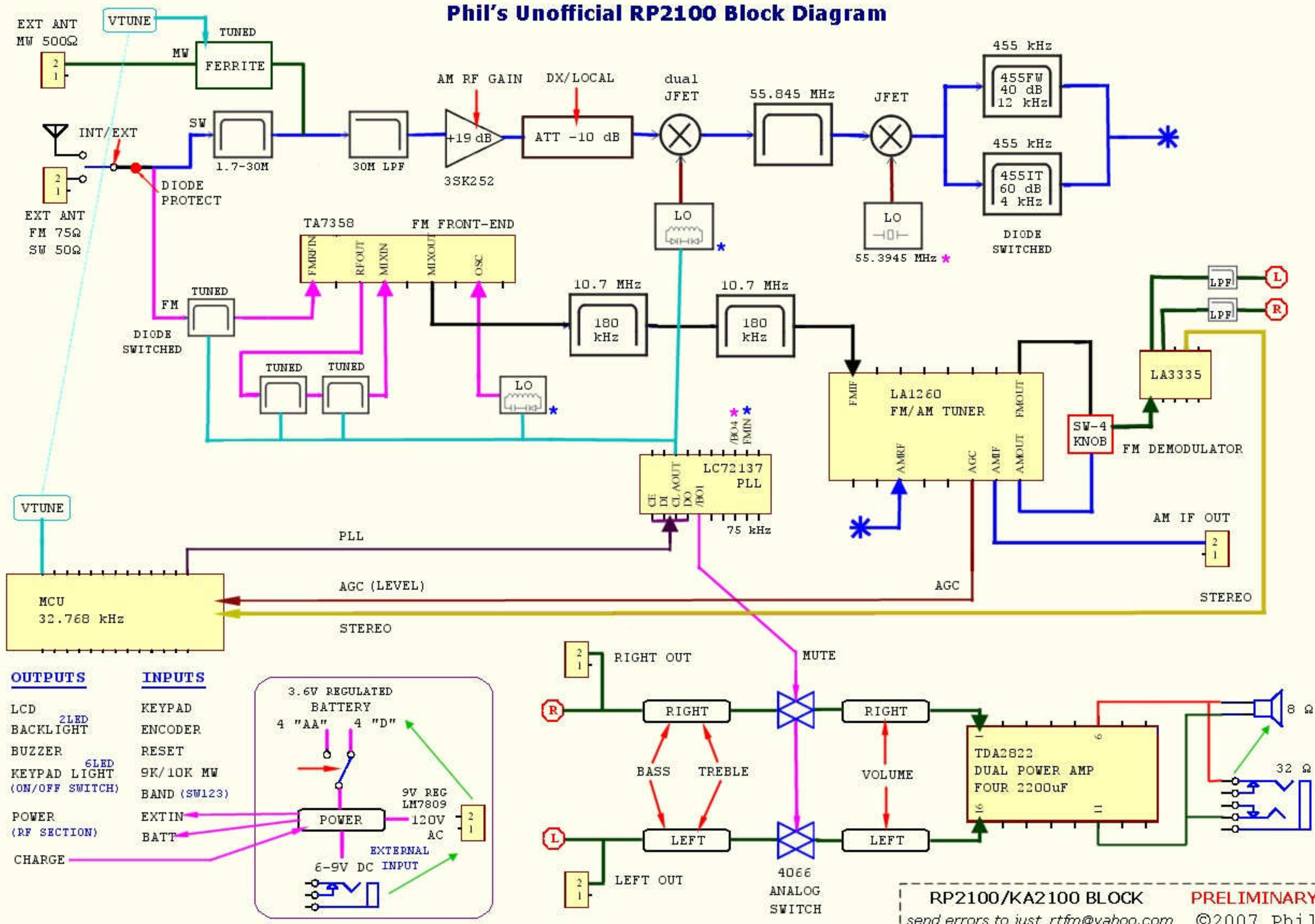


Phil's Unofficial RP2100 Block Diagram



- | OUTPUTS | INPUTS |
|-----------------------------------|--------------|
| LCD | KEYPAD |
| 2LED BACKLIGHT | ENCODER |
| BUZZER | RESET |
| 6LED KEYPAD LIGHT (ON/OFF SWITCH) | 9K/10K MW |
| POWER (RF SECTION) | BAND (SW123) |
| CHARGE | EXTIN |
| | BATT |

RP2100/KA2100 BLOCK PRELIMINARY
 send errors to just_rtfm@yahoo.com ©2007 Phil