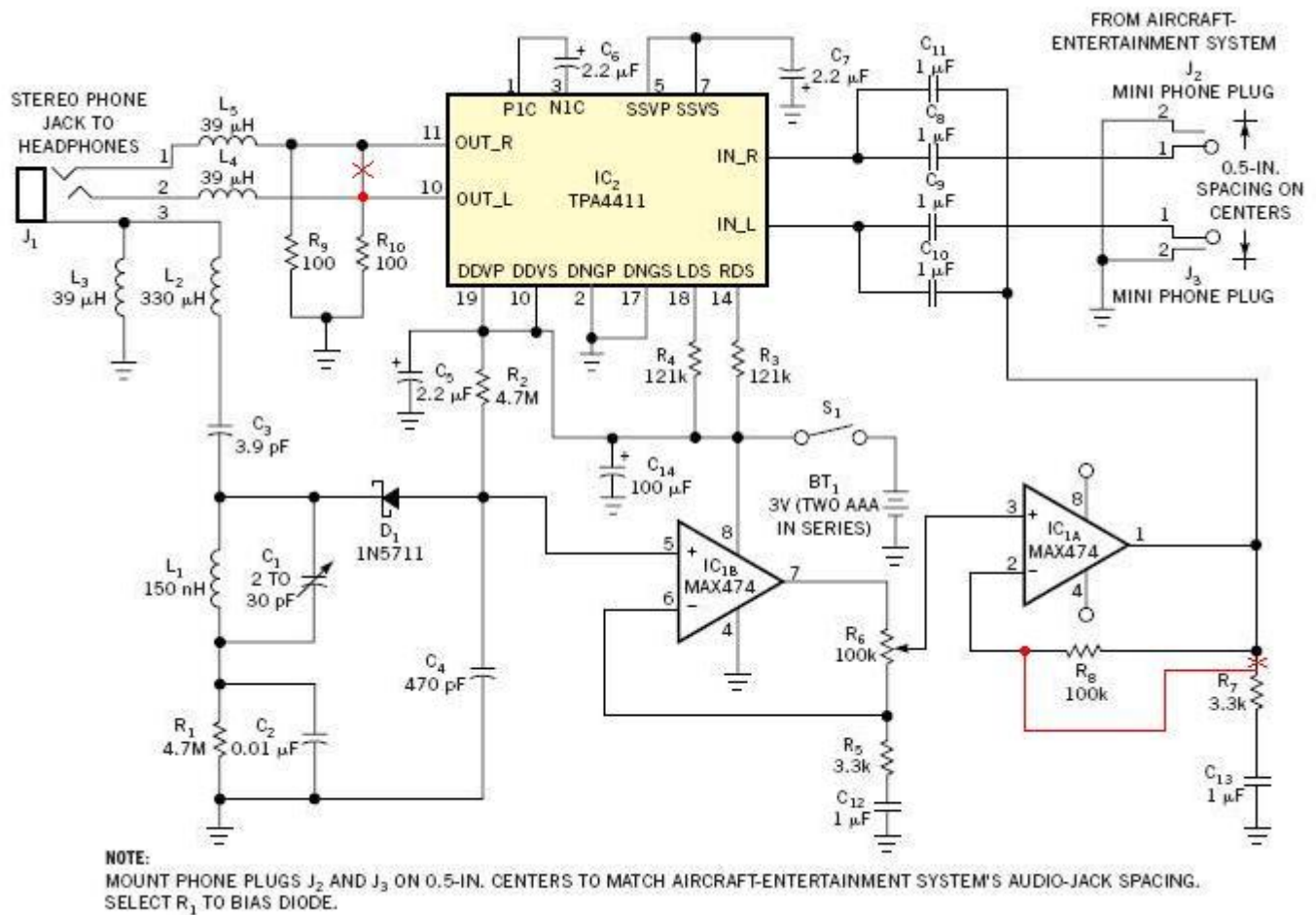


ERRATA TO: D. Prutchi, "Passive-Detector Receiver Keeps You Informed, Entertained During Flights", Design Idea, *EDN*, 98-99, May 12, 2005.

EDN's graphic artist had to redraw my OrCAD schematic from scratch to make it compatible with EDN's publishing software. Unfortunately, galley proofs are not sent out for review by the author before publishing, and this resulted in the introduction of the following mistakes in the schematic (corrected schematic courtesy of EE and pilot Brenor Brophy):

- 1) R7 should connect to pin 2 on IC1a not pin 1.
- 2) R10 should connect to pin 10 on IC2 not pin 11.



For more schematics and advanced science projects
visit: www.prutchi.com