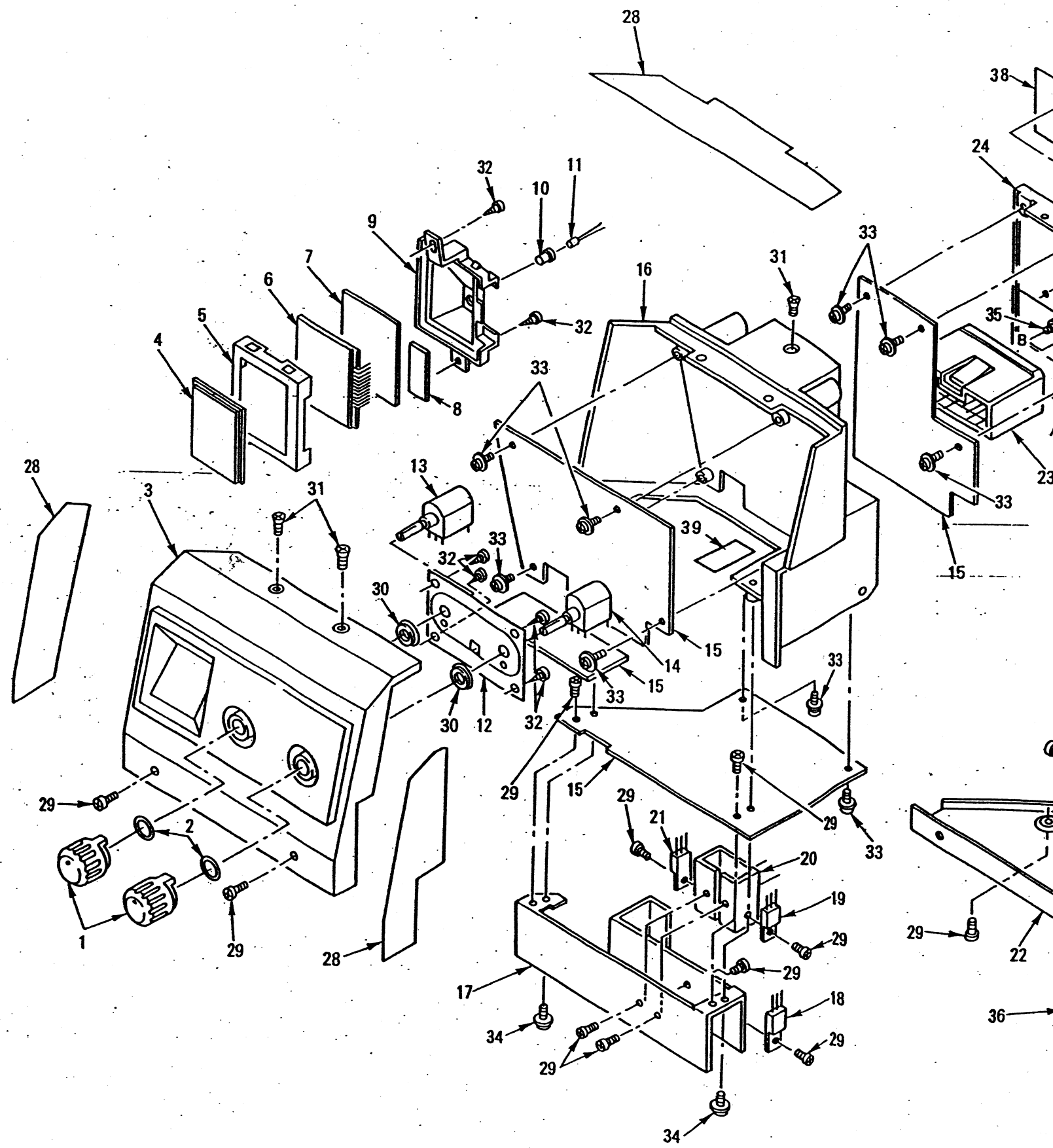
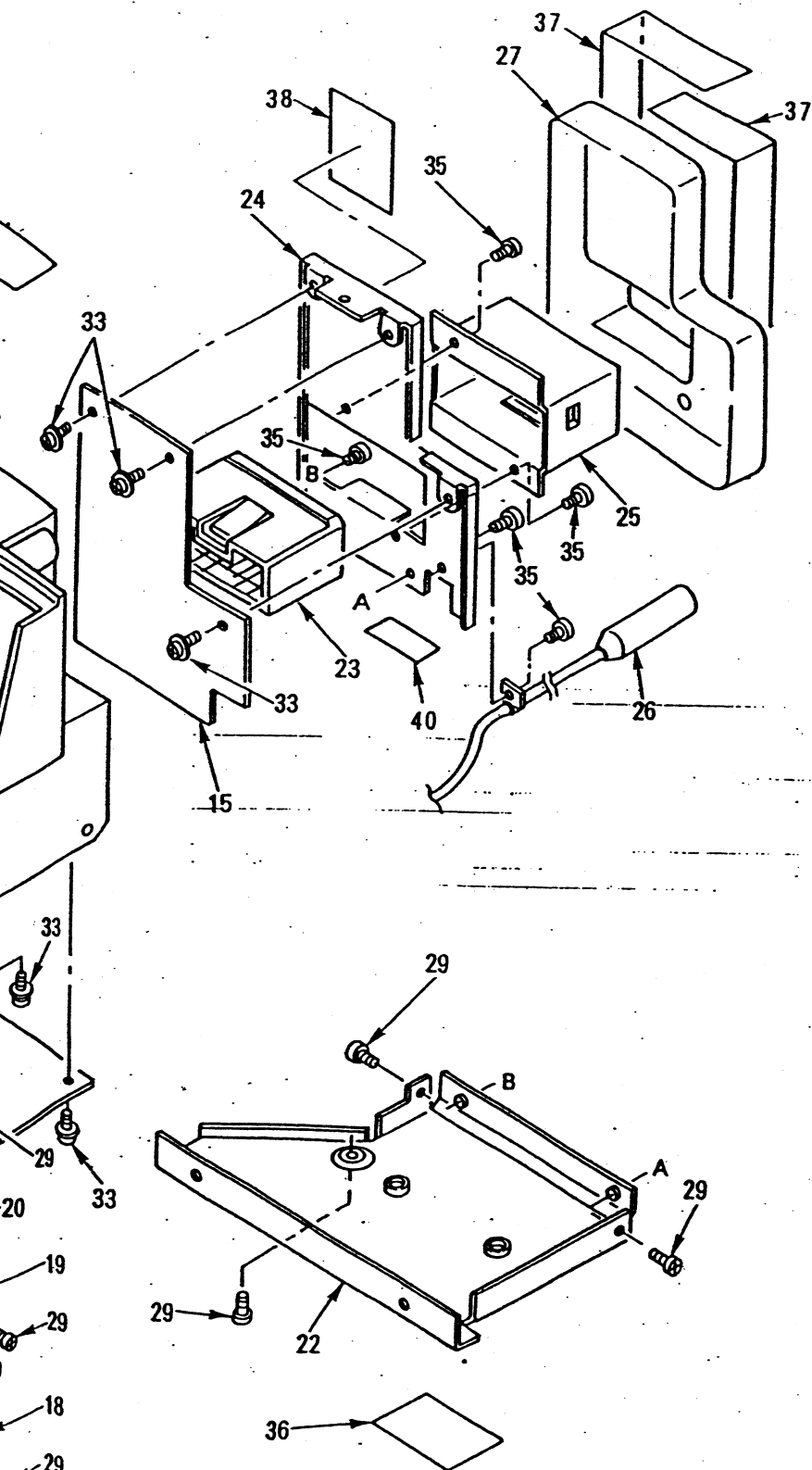


EXPLODED VIEW • PARTS LIST:





REF NO.	PART NO.	DESCRIPTION	QTY
1	380-4962-00	Knob	2
2	345-4676-00	Knob rubber	2
3	370-5016-00	Escutcheon	1
4	373-0519-00	Dial cover	1
5	330-8846-00	LCD holder	1
6	379-0192-00	LCD	1
7	335-2784-00	LCD collar	1
8	099-8260-00	PWD	1
9	335-2783-01	LCD reflector	1
10	345-4157-16	Lamp holder	1
11	017-0320-10	Pilot lamp	1
12	309-0580-00	Front plate	1
13	012-4707-01	Variable resistor (VOL)	1
14	012-4707-02	Variable resistor (SQL)	1
15	099-8259-00	PWB	1
16	312-0301-00	Chassis	1
17	313-1332-00	Heat sink	1
18	102-1945-00	Transistor	1
19	102-2166-00	Transistor	1
20	313-1333-00	Heat sink	1
21	100-0473-25	Transistor	1
22	304-0402-01	Lower cover	1
23	074-0783-02	Outlet socket	1
24	307-0420-00	Rear cover	1
25	330-8847-00	Connector cover	1
26	092-0625-00	Antenna receptacle	1
27	345-4677-01	Water proof cover	1
28	347-2640-00	Water proof seal	1
29	714-3006-81	Machine screw (M3×6)	13
30	722-0368-00	Nut (M7)	2
31	714-3006-41	Machine screw (M3×6)	3
32	704-3006-81	Tapping screw (M3×6)	6
33	716-0538-00	D-sems screw (M3×6)	9
34	735-3008-11	D-sems screw (M3×8)	2
35	714-3004-80	Machine screw (M3×4)	5
36	286-3678-00	Set plate	1
37	347-2732-00	Water proof seal	2
38	285-1324-01	Guide label	1
39	347-2708-00	Insulator	1
40	347-1102-00	Double face	1