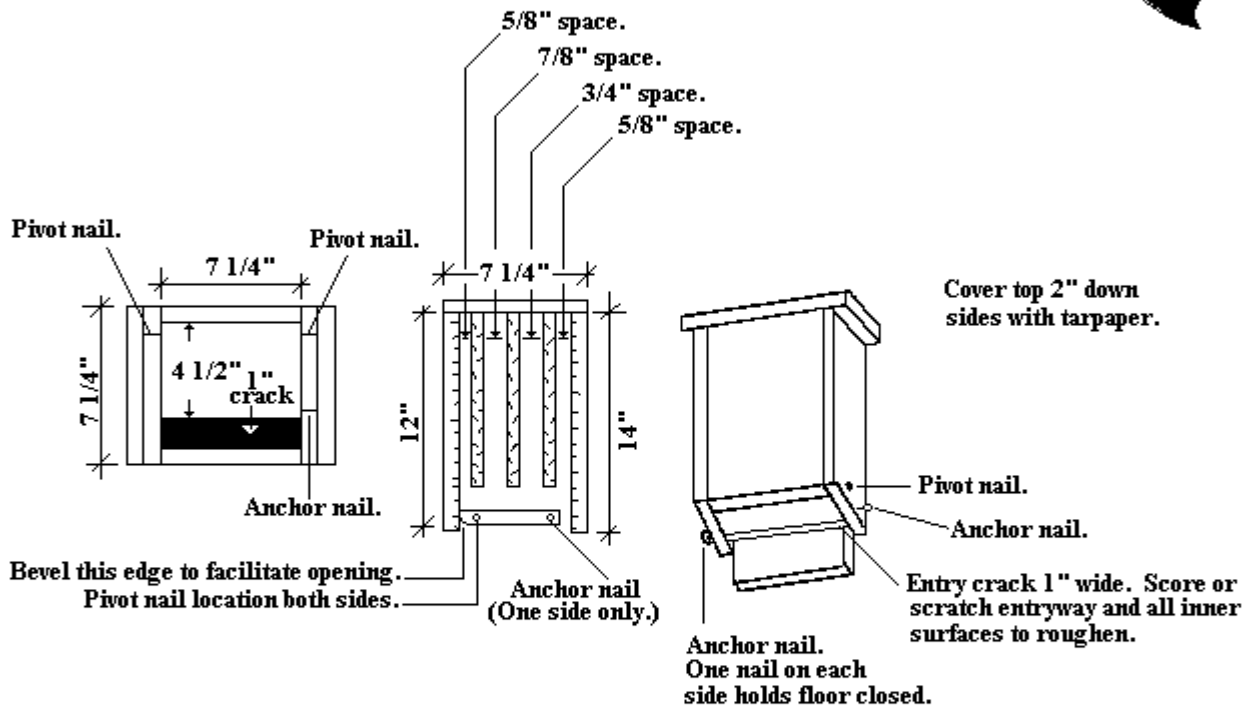


# Small Bat House

## Small Bat House

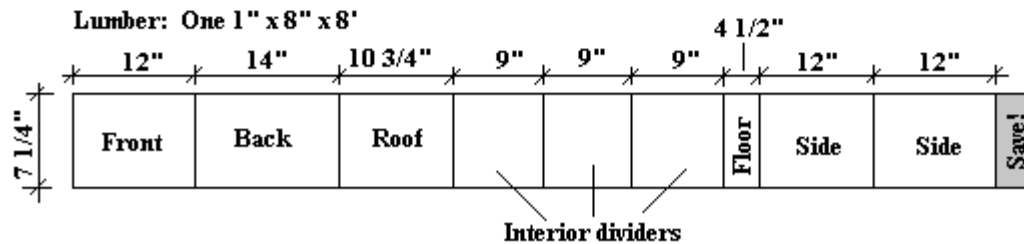
Nine species of bats can be found in North Dakota but the little brown bat is the most common. Bats are insect eaters and may eat over 1,000 insects each evening. They require a warm, moist environment which reaches 80-90 degrees during the daytime. This can be achieved by covering part of the house with tarpaper. Painting with black may also help. Houses should be hung on trees, poles, or the sides of buildings which have a good open area on at least one side for bats to maneuver while flying. The best habitat is close to rivers, lakes, or marshy areas where insect populations are high. Nest boxes should be about 12-15 feet above the ground.



Bottom view.

Side view (Cut away.)

Front view as mounted on building.



If you have success using a bat house, please contact our Department's Natural Resource Division.