

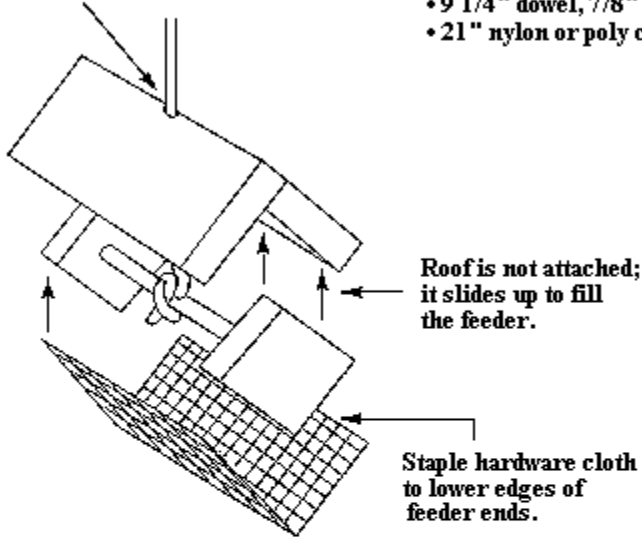
# Hardware Cloth Suet Feeder

## Hardware Cloth Suet Feeder

### Materials:

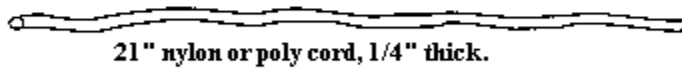
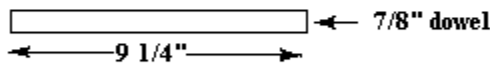
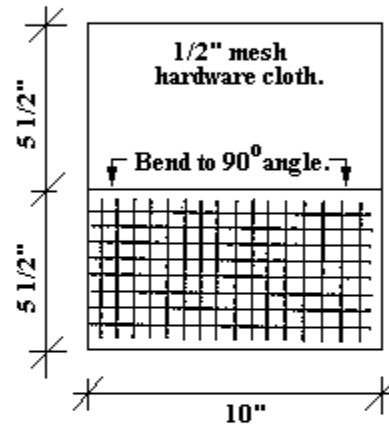
- 11" x 10" hardware cloth (1/2" x 1/2" mesh)
- 1" x 8" - 32" (allow 1" for saw kerfs)
- 9 1/4" dowel, 7/8" diameter
- 21" nylon or poly cord

7/16" hole allows roof to slip upward on cord



Roof is not attached; it slides up to fill the feeder.

Staple hardware cloth to lower edges of feeder ends.



7/8" diameter hole, 3/8" deep.

