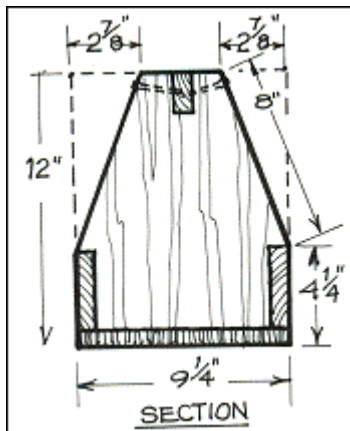


Toolbox Plans

This toolbox is handy for use in both the garden and the workshop. It makes a great gift for Dad especially if filled with tools. It is long enough to fit the most popular "short cut" saws, plus it has plenty of room for extra tools.

Quantity	Size	Description	Location
1	43"	1x10 clear pine	ends and bottom
1	37"	1x4 clear pine	sides
1	20"	1x2 clear pine	handle
1 lb	2"	galvanized finishing nails	
1	4 oz.	Titebond II glue	



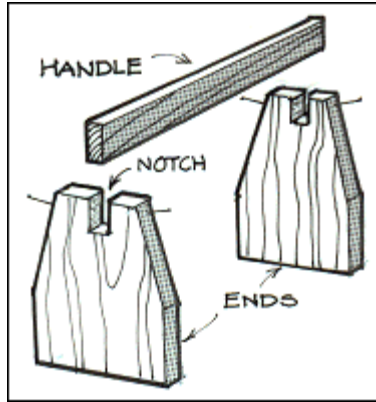
To make the toolbox ends, cut two 12" long pieces from the 43" long 1x10 clear pine board. Cut the remaining piece **exactly** 18 1/2" long. This piece will be used for the bottom.

For the sides, cut the 1x4 pine board into two pieces the **exact** same length as the bottom piece (18 1/2").

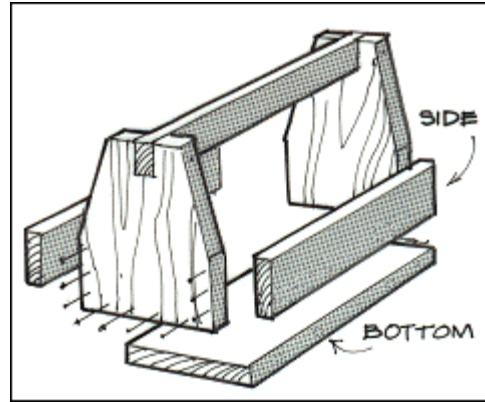
To cut the end pieces to size, measure in 2 7/8" in from each top corner. Then measure up from the bottom two corners 4 1/2" and make a mark. Connect the bottom marks to the top marks with a pencil line.

Using the diagonal lines as your guide, cut off the four corners of the end pieces.

Using an electric jig saw, cut out the notch for the 1x2 handle, but make it **slightly** smaller than the 1x2. Use a file or rough sandpaper on a block of wood to gradually increase the width of the notch until the 1x2 handle fits snugly. Be careful not to hammer the handle into the notches as this could cause the wood to split.



Glue the handle into the two notches and drill $3/32$ " diameter pilot holes $1/2$ " down from the top corner edges of each end piece. Use 2" galvanized finishing nails to nail through the pilot holes and lock the handle in place.



Glue and nail the ends and side piece to the bottom. Recess the nail head with a nail set and fill the holes with wood filler.

