



www.d2fcovers.com
CONTACT@D2FCOVERS.COM

"Designed 2 fit"
COVERS, INC.

8104 N.E. 121ST STREET • KIRKLAND, WA 98034 • 425-802-7187

Name: _____

Amplifier Measuring Chart

Make _____

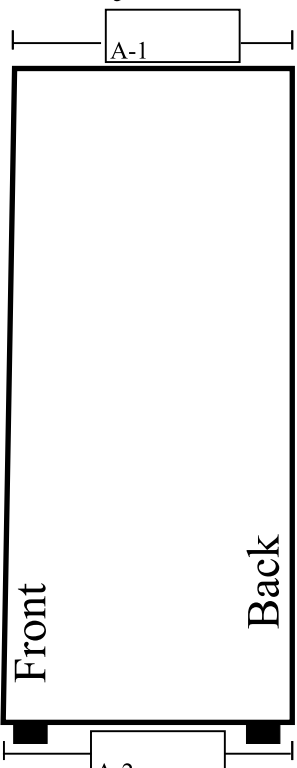
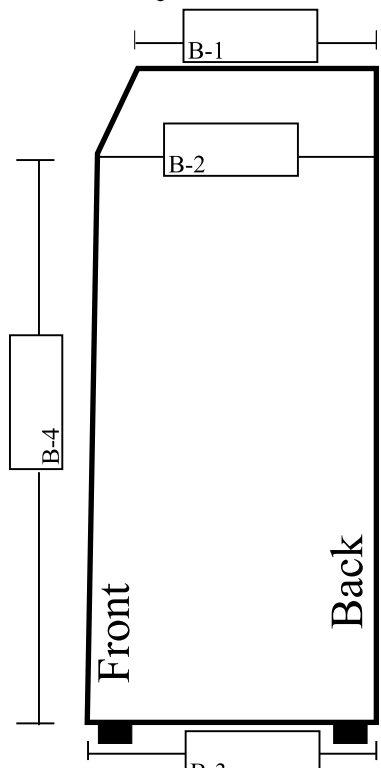
Model _____

Other _____

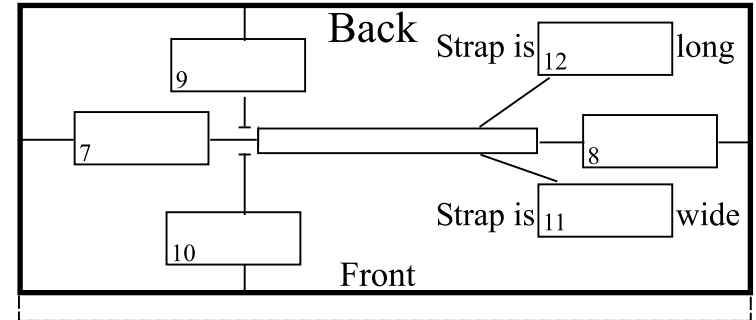
Profile - Side View

(CHOOSE ONE)

(Choose the one that most represents the way your amplifier looks from the side.)

<input type="checkbox"/> Style A 	<input type="checkbox"/> Style B 
---	---

Top View



Front View

